

# 3-1/4" Architectural Grade Window System

## Series 3325 Projected - Casement



The 3325 Series zero sightline window with industry leading performance is suitable for use on high rise buildings, and can be used in curtain wall as well as storefront applications. This innovative window is also available with a vertical or horizontal rail allowing two vents in one frame. Available in project-out awning or project-out casement the 3325 ZSV has the look and performance your project deserves.

For additional information for the Series 3325 please visit [www.wincowindow.com](http://www.wincowindow.com) or contact your local Winco Sales Representative for any additional information and help on your current project.



Wind Protection



Energy Savings



Green Commitment



Historic Replication



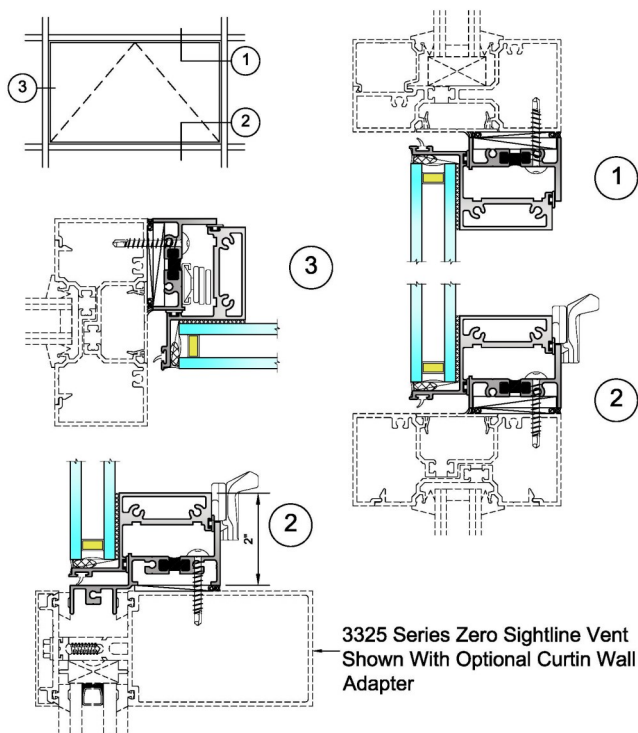
Blast Shield



Noise Control

## 3325 Features

- 3-1/4" frame depth 1/8" main Frame wall thickness .
- Azon "Azo-Braided" thermally broken frame backed by a 10 year warranty against thermal break shrinkage
- Fully mitered overlap sash configuration has 1/8" wall thickness with fully sealed corners and dual weather-stripping
- Can be used in storefront or curtain wall
- Industry leading performance
- Glazed with 1" glass
- Wide variety of locking and operating hardware available
- Vertical or horizontal rail allowing two vents in one opening
- Optional aluminum extruded screens



## Performance Data

Projected AW Grade AP-AW80

Air.....<.10cfm/ft @ .624psf  
 Water.....no leakage @ 12#  
 Structural.....+/- 120psf  
 CRF.....63\*  
 U-Value.....36\*  
 STC.....From 32 to 40

Projected AW Grade C-AW80

Air.....<.10cfm/ft @ .624psf  
 Water.....no leakage @ 12#  
 Structural.....+/- 120psf  
 CRF.....63\*  
 U-Value.....36\*  
 STC.....From 32 to 40

\*U-Value, AW and CRF ratings are based on a particular type of glazing and window configuration being used. Performance may vary when different glazing types and sizes are used.

For More Information  
 on the 3325 Series



Winco Window  
 6200 Maple Avenue  
 St Louis, MO 63130  
 Ph 800-525-8089

FX 314-725-1419

[www.wincowindow.com](http://www.wincowindow.com)



Made in the U.S.A