

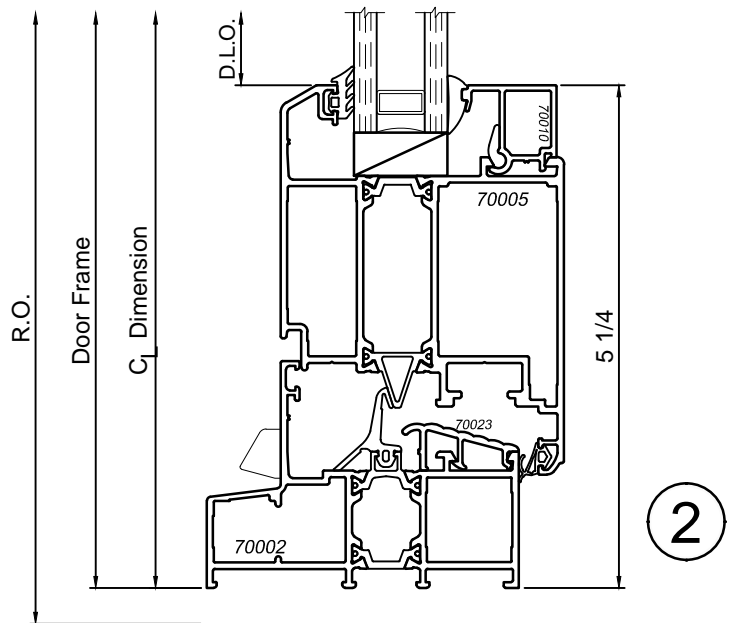
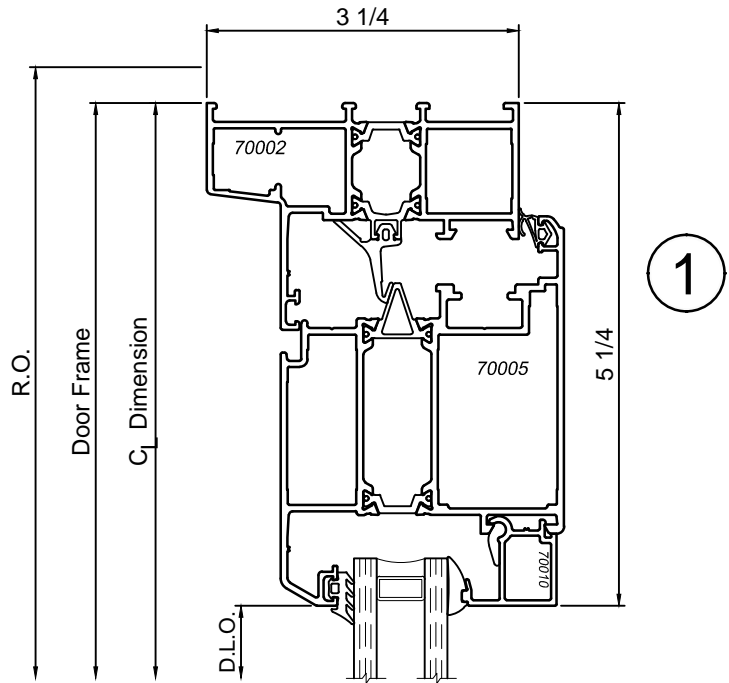
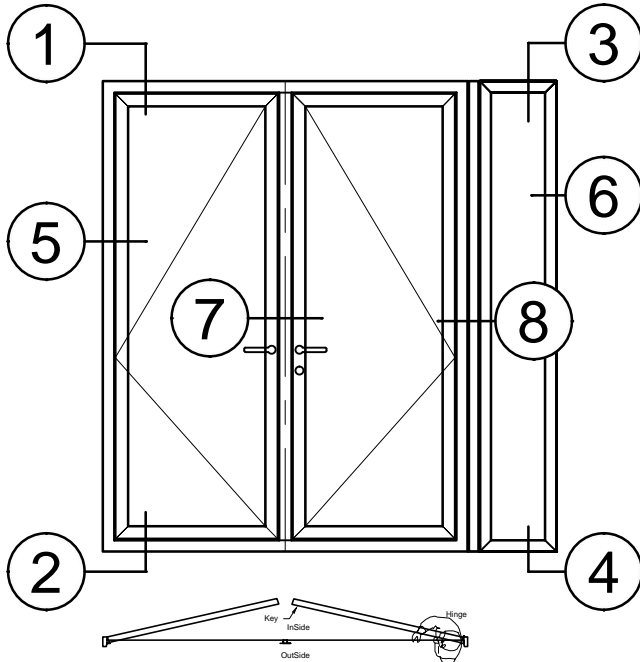
NC-82 Series 3-1/4" Thermal Terrace Doors

Product Details - Double Inswing Terrace Door w/ Side Lite



Note: Multiple configurations of this window system are available. Refer to the WINCO website for additional options or contact your local WINCO Sales Representative for information.

WINCO RESERVES THE RIGHT TO MODIFY OR CHANGE INFORMATION WITHIN THIS BOOK WHEN DEEMED NECESSARY FOR PRODUCT IMPROVEMENT



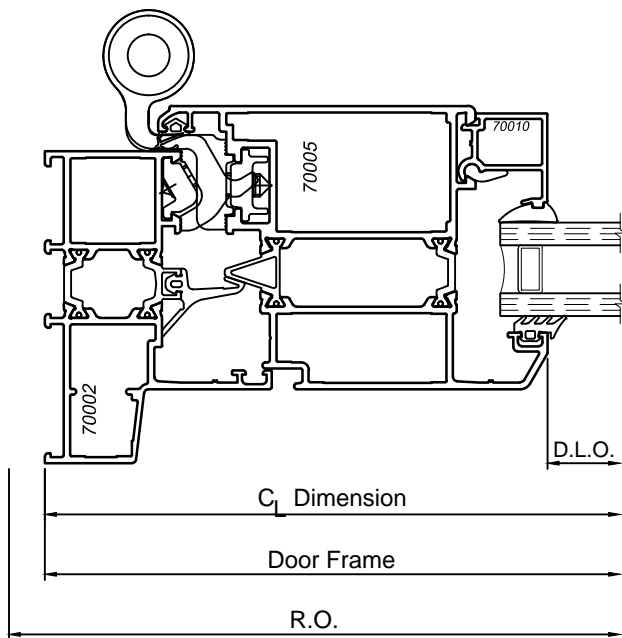
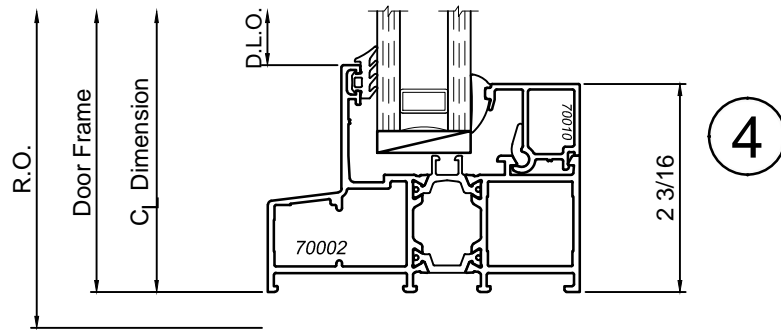
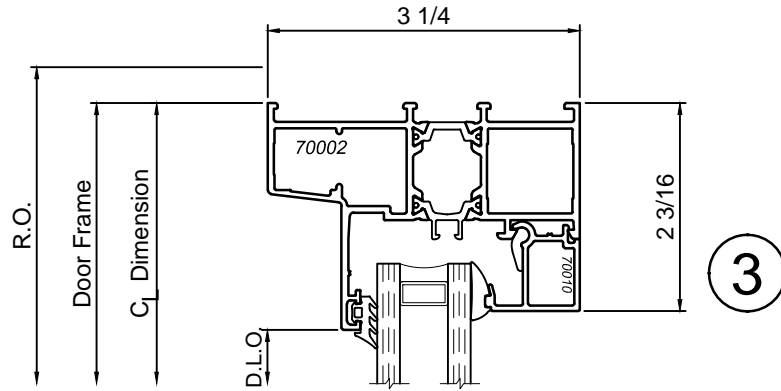
SCALE 6"=1'-0"

NC-82 Series 3-1/4" Thermal Terrace Doors

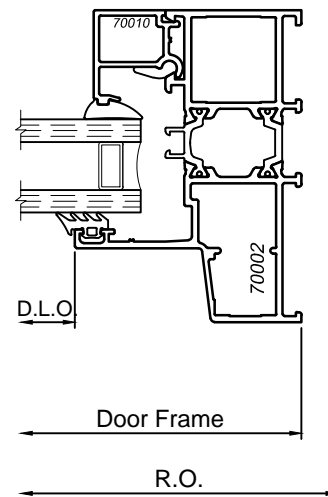
Product Details - Double Inswing Terrace Door w/ Side Lite



Note: Multiple configurations of this window system are available. Refer to the WINCO website for additional options or contact your local WINCO Sales Representative for information.



5



6

WINCO RESERVES THE RIGHT TO MODIFY OR CHANGE INFORMATION WITHIN THIS BOOK WHEN DEEMED NECESSARY FOR PRODUCT IMPROVEMENT

© WINCO WINDOW COMPANY, INC. 2016

SCALE 6"=1'-0"

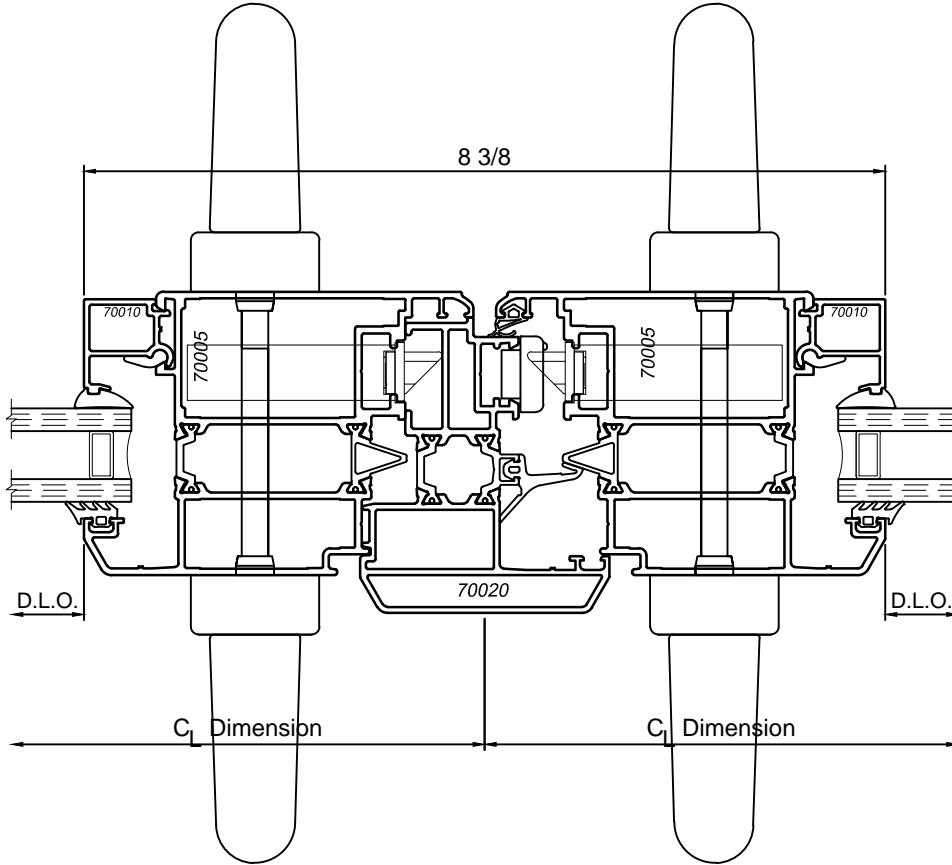
NC-82 Series 3-1/4" Thermal Terrace Doors

Product Details - Double Inswing Terrace Door w/ Side Lite

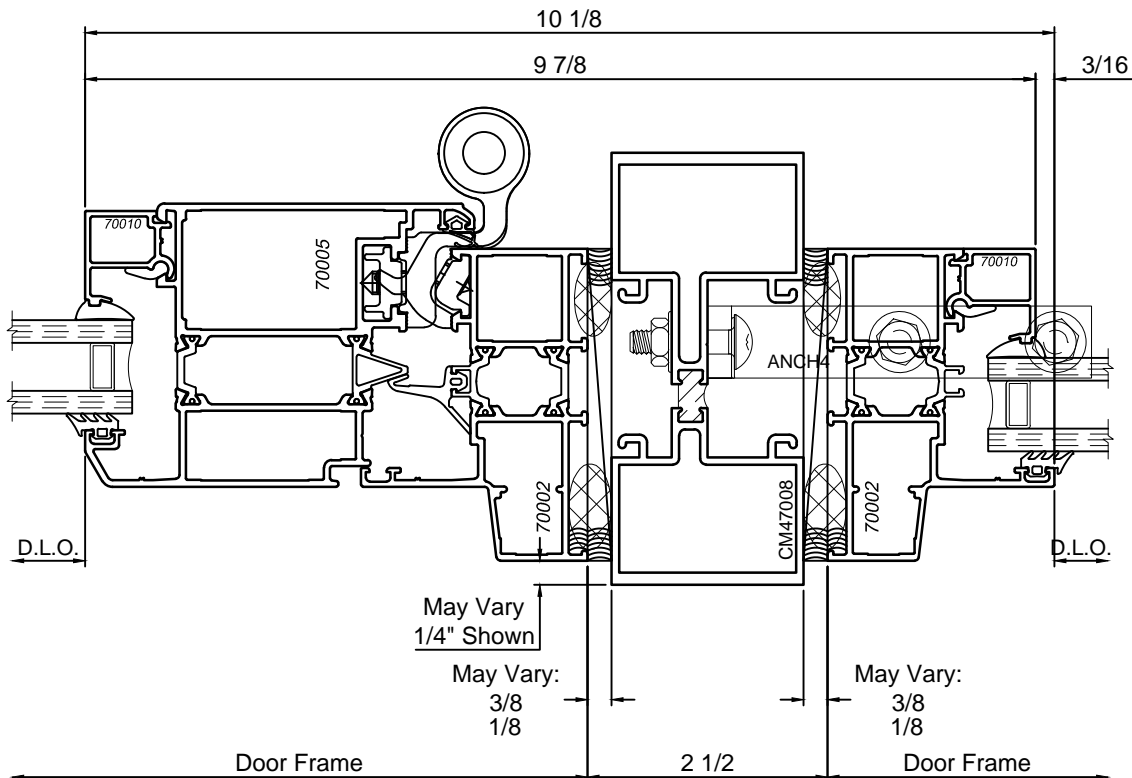


Note: Multiple configurations of this window system are available. Refer to the WINCO website for additional options or contact your local WINCO Sales Representative for information.

WINCO RESERVES THE RIGHT TO MODIFY OR CHANGE INFORMATION WITHIN THIS BOOK WHEN DEEMED NECESSARY FOR PRODUCT IMPROVEMENT



7



8

SCALE 6"=1'-0"