

3-1/2" Thermal Fixed Windows for FEMA 361 / ICC 500 application

Product Information



WINCO RESERVES THE RIGHT TO MODIFY OR CHANGE INFORMATION WITHIN THIS BOOK WHEN DEEMED NECESSARY FOR PRODUCT IMPROVEMENT

PERFORMANCE

This application is a configuration of the 3350 Series for use in FEMA 361 / ICC 500 shelters. The Series 3350 window is a thermally broken mainframe and sash that exceeds the performance specification criteria as required by ANSI/AAMA for AW (Architectural Grade) windows.

Fixed		
AAMA Rating	150 psf Design Pressure	
Air Infiltration	0.03 CFM/ft ²	
Water	Over 12 psf	
Structural	300 psf	
CRF (AAMA 1503)	63	
Center of Glass U-Value	Window U-Factor ³	
BTU/Ft ² x F° x Hr	47" x 59" ²	60" x 99" ¹
0.20	0.34	0.30
0.24	0.37	0.33
0.29	0.41	0.37
0.34	0.45	0.41
0.47	0.55	0.52

This Information is based on current product design, sealed dual glazing, warm edge spacers and testing standards.

Please contact WINCO for project specific information

¹ AAMA 101 Test Size

² NFRC Gateway Test Size

³ Based on NFRC 100

© WINCO WINDOW COMPANY, INC. 2016



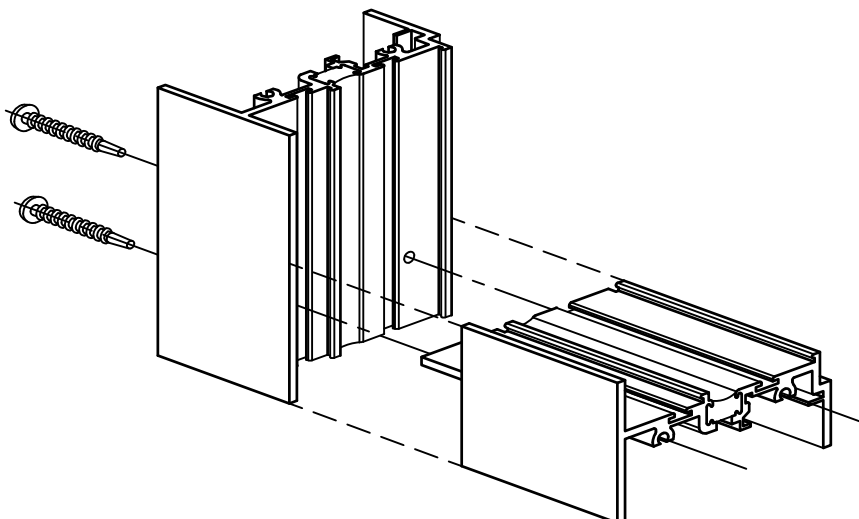
CONSTRUCTION

MATERIAL - The Series 3350 window is a 3-1/2" deep frame depth with a nominal wall thickness of 0.125 inch. All material is extruded from 6063-T6 alloy.

THERMAL BREAK - All framing members of the window system are thermally broken. Winco uses the Azon Azo Brader® process to mechanically condition the surface of the thermal cavity. The process runs the entire length of the extrusion and creates serrations that insure proper adhesion of the structural polymer. The structural urethane is a high density 2 part formula providing optimum thermal performance for the most demanding conditions. The combination of the conditioning of the aluminum surface along with the two part urethane allows Winco to provide a full 10 year warranty against thermal break creep and shrinkage in accordance with AAMA 505-98.

FABRICATION - The main frame corners are coped and mechanically joined using two stainless steel spline screws per corner (fig 1). All frame joints are back sealed with small joint seam sealer providing a water tight joinery.

WINCO RESERVES THE RIGHT TO MODIFY OR CHANGE INFORMATION WITHIN
THIS BOOK WHEN DEEMED NECESSARY FOR PRODUCT IMPROVEMENT



(fig 1) Main Frame Construction

© WINCO WINDOW COMPANY, INC. 2016

3-1/2" Thermal Fixed Windows for FEMA 361 / ICC 500 application

Product Information



GLAZING

The glazing options for FEAM 361 / ICC 500 Storm Shelters are limited to the tested configurations. While the exterior insulated (I.G.) lite could be replaced with a 1" monolithic multi layered laminate (3 or 5 ply Glass Clad Polycarbonate) unit, this ballistic configuration has not been tested and is therefore not listed. See the quick reference chart below for all glazing options.

Glazing Thickness		1/8"	3/16"	1/4"	7/16"	1/2"	9/16"	7/8"	1"	1-3/8"	1-3/4"	2"	2-3/8"	-	-
Monolithic		-	-	-	-	-	-	-	-	-	-	-	-	-	-
Insulated		-	-	-	-	-	-	-	-	-	-	-	-	-	-
Dual Glazed	Exterior	-	-	-	-	-	-	-	-	-	-	-	-	-	-
	Interior	-	-	-	-	-	-	-	-	-	-	-	-	-	-
Triple Glazed	Exterior	-	-	-	-	-	-		X	-	-	-	-	-	-
	Interior	-	-	-	-	X	-	-	-	-	-	-	-	-	-

Winco has different gaskets and glazing methods that can accommodate odd thicknesses of glass. If you do not see what you are looking for within this chart please contact your local representative for information regarding your specific project needs.

WINCO RESERVES THE RIGHT TO MODIFY OR CHANGE INFORMATION WITHIN THIS BOOK WHEN DEEMED NECESSARY FOR PRODUCT IMPROVEMENT

© WINCO WINDOW COMPANY, INC. 2016



WINCO RESERVES THE RIGHT TO MODIFY OR CHANGE INFORMATION WITHIN
THIS BOOK WHEN DEEMED NECESSARY FOR PRODUCT IMPROVEMENT

This page is purposely left blank

© WINCO WINDOW COMPANY, INC. 2016

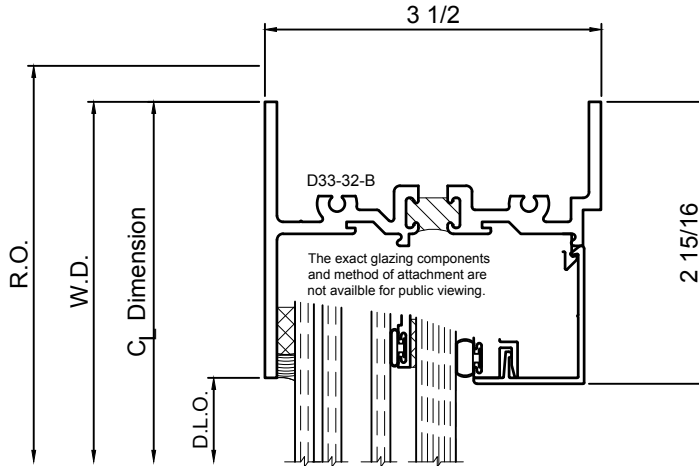
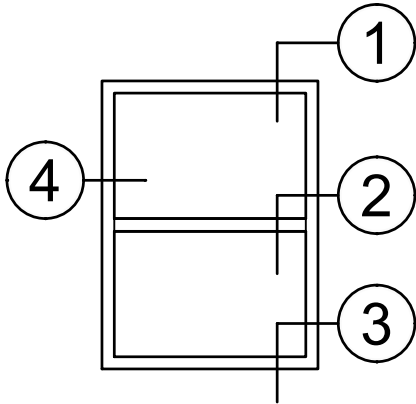
3-1/2" Thermal Fixed Windows for FEMA 361 / ICC 500 application

Product Details - Fixed - Picture Window

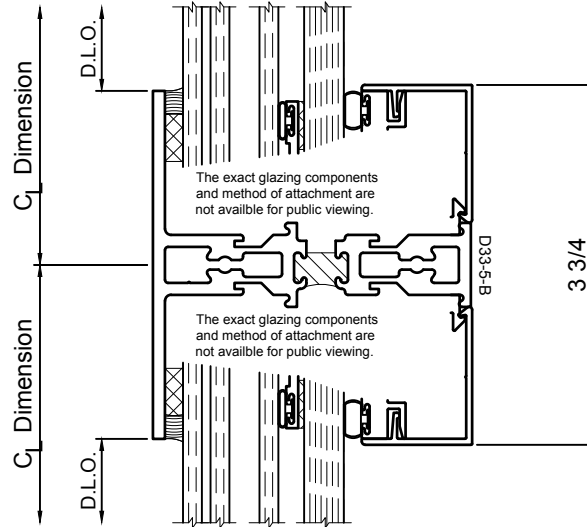


Note: Multiple configurations of this window system are available. Refer to the WINCO website for additional options or contact your local WINCO Sales Representative for information.

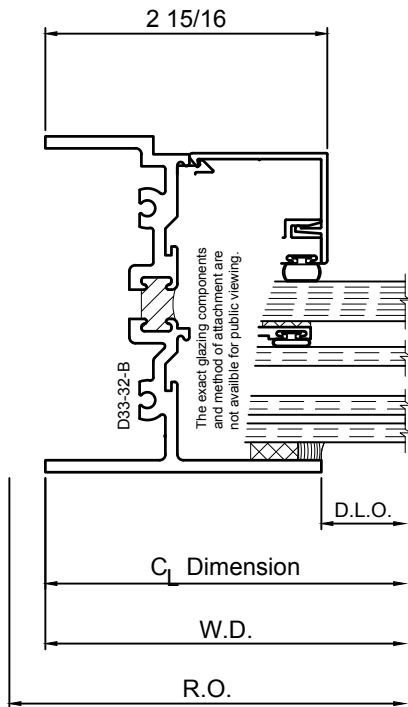
WINCO RESERVES THE RIGHT TO MODIFY OR CHANGE INFORMATION WITHIN THIS BOOK WHEN DEEMED NECESSARY FOR PRODUCT IMPROVEMENT



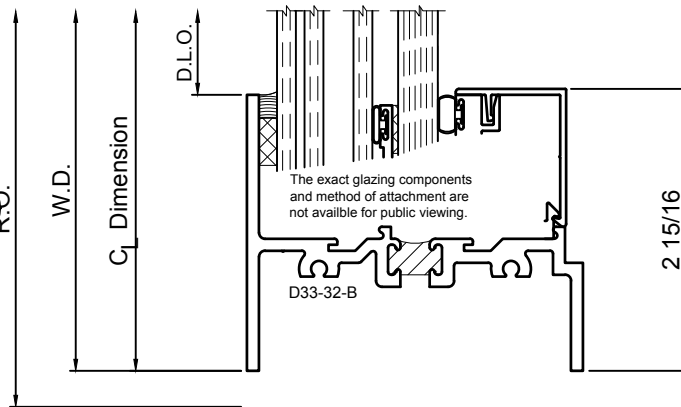
1



2



4



3

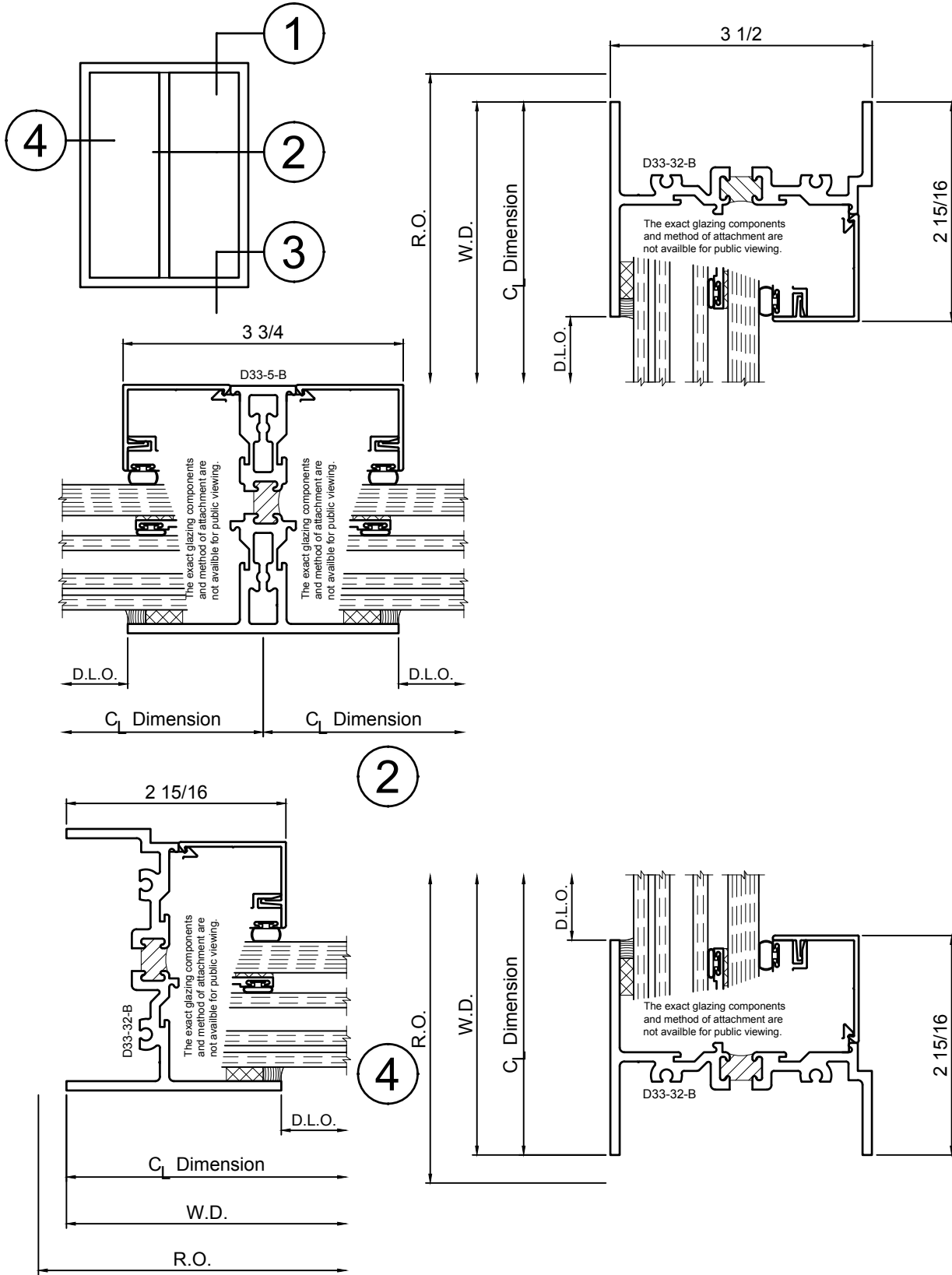
SCALE 6"=1'-0"

3-1/2" Thermal Fixed Windows for FEMA 361 / ICC 500 application

Product Details - Fixed - Picture Window



Note: Multiple configurations of this window system are available. Refer to the WINCO website for additional options or contact your local WINCO Sales Representative for information.



1

2

4

3

WINCO RESERVES THE RIGHT TO MODIFY OR CHANGE INFORMATION WITHIN THIS BOOK WHEN DEEMED NECESSARY FOR PRODUCT IMPROVEMENT

© WINCO WINDOW COMPANY, INC. 2016

SCALE 6"=1'-0"

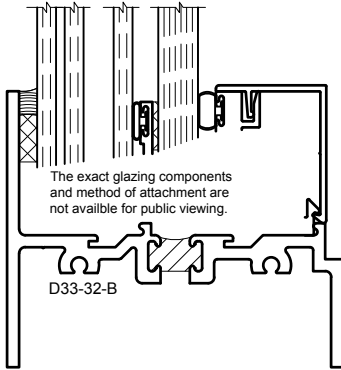
3-1/2" Thermal Fixed Windows for FEMA 361 / ICC 500 application

Product Details - Glazing Options



Note: Multiple configurations of this window system are available. Refer to the WINCO website for additional options or contact your local WINCO Sales Representative for information.

WINCO RESERVES THE RIGHT TO MODIFY OR CHANGE INFORMATION WITHIN THIS BOOK WHEN DEEMED NECESSARY FOR PRODUCT IMPROVEMENT



FEMA 361 / ASTM
E1886 / 1996 Missile "E"
1" Laminated I.G. with
1/2" Polycarbonate
Secondary

© WINCO WINDOW COMPANY, INC. 2016

SCALE 6"=1'-0"

3-1/2" Thermal Fixed Windows for FEMA 361 / ICC 500 application

Product Details



Note: Multiple configurations of this window system are available. Refer to the WINCO website for additional options or contact your local WINCO Sales Representative for information.

WINCO RESERVES THE RIGHT TO MODIFY OR CHANGE INFORMATION WITHIN
THIS BOOK WHEN DEEMED NECESSARY FOR PRODUCT IMPROVEMENT

This page is purposely left blank

© WINCO WINDOW COMPANY, INC. 2016

SCALE 6"=1'-0"

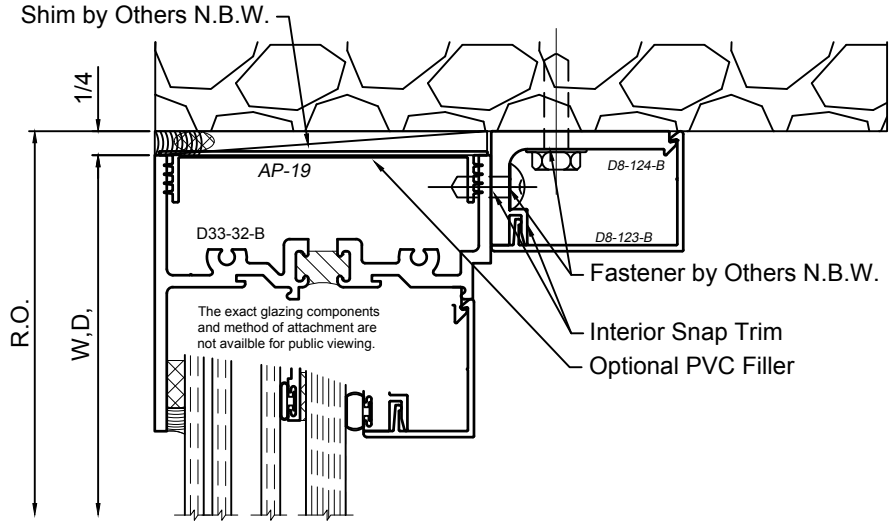
3-1/2" Thermal Fixed Windows for FEMA 361 / ICC 500 application

Product Details - Snap Trim Installation

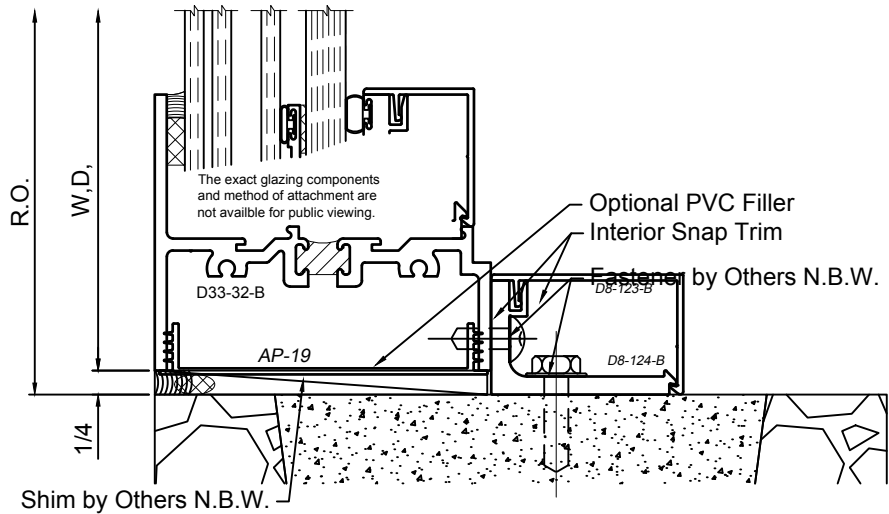


Note: See Winco Installation Instructions for a detailed description of installation notes and procedures.

WINCO RESERVES THE RIGHT TO MODIFY OR CHANGE INFORMATION WITHIN THIS BOOK WHEN DEEMED NECESSARY FOR PRODUCT IMPROVEMENT



Snap Trim Installation

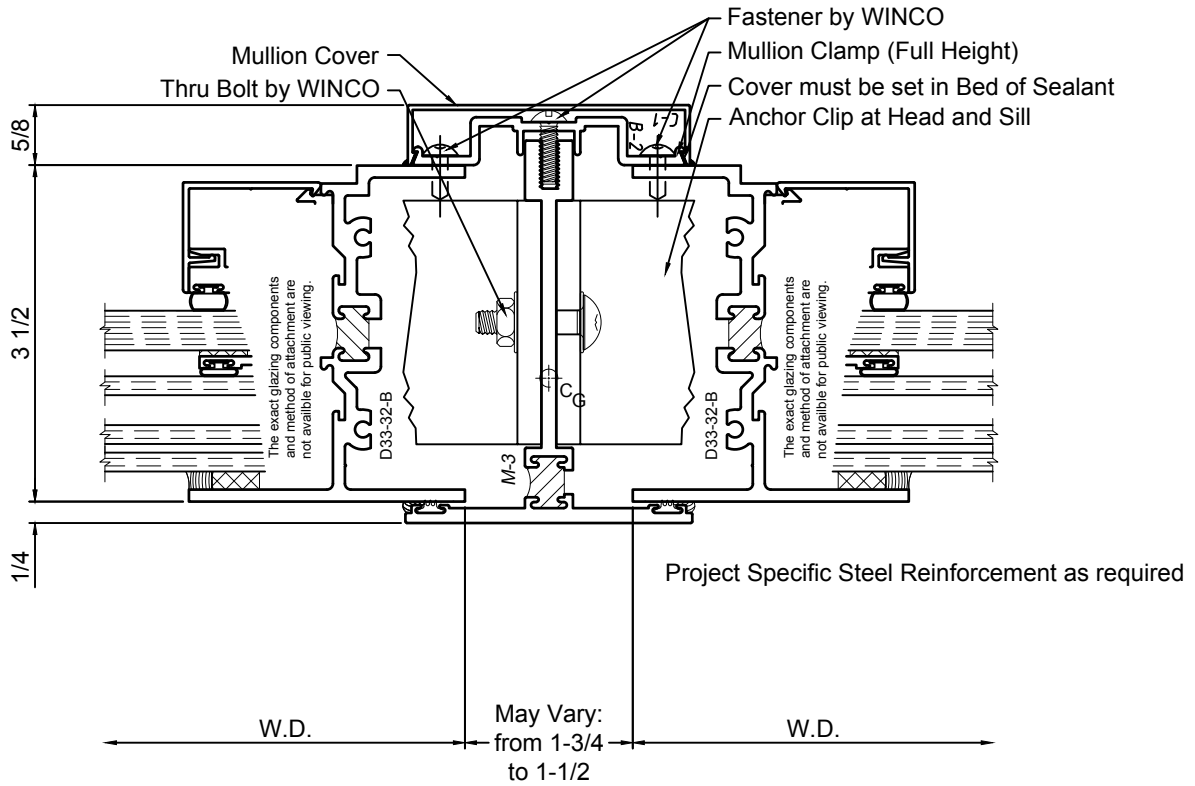


© WINCO WINDOW COMPANY, INC. 2016

SCALE 6"=1'-0"



M-3 Mullion set from Building Exterior



WINCO RESERVES THE RIGHT TO MODIFY OR CHANGE INFORMATION WITHIN THIS BOOK WHEN DEEMED NECESSARY FOR PRODUCT IMPROVEMENT

© WINCO WINDOW COMPANY, INC. 2016

SCALE 6"=1'-0"