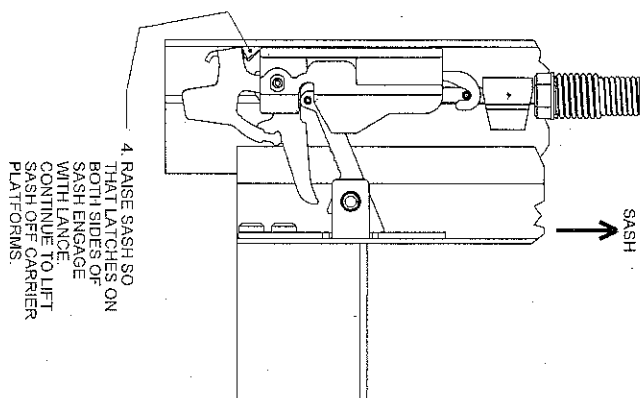
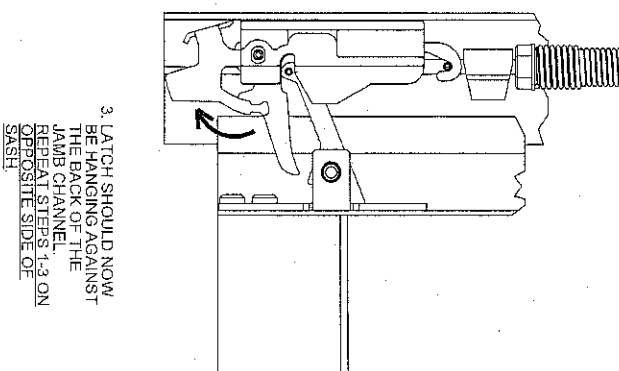
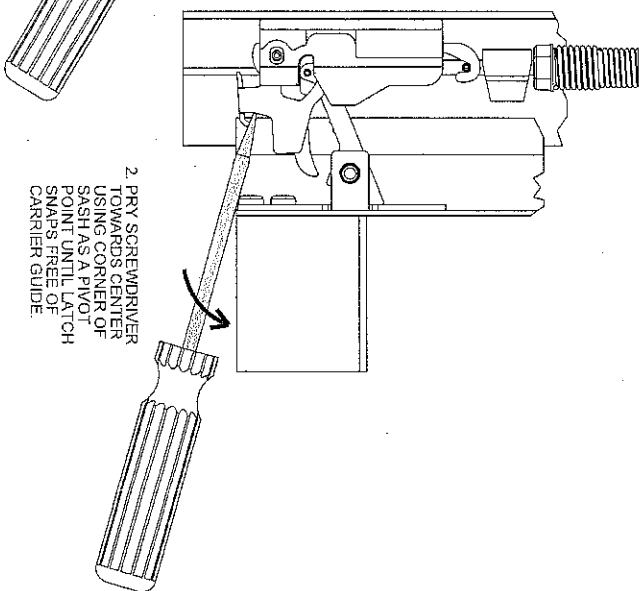
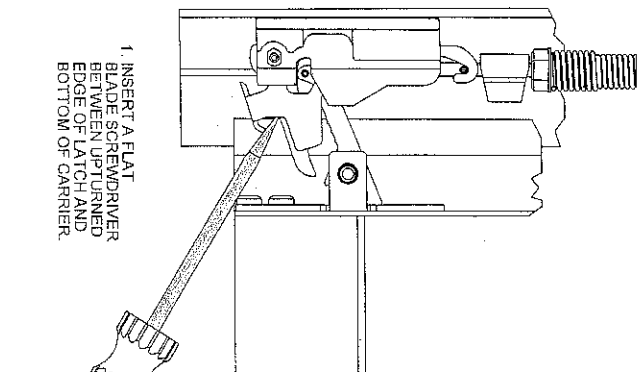
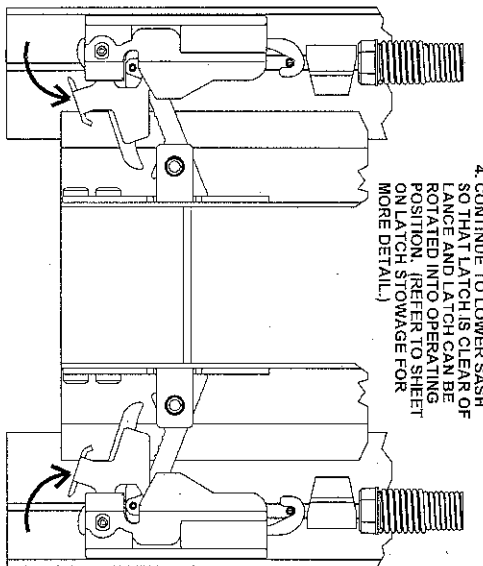
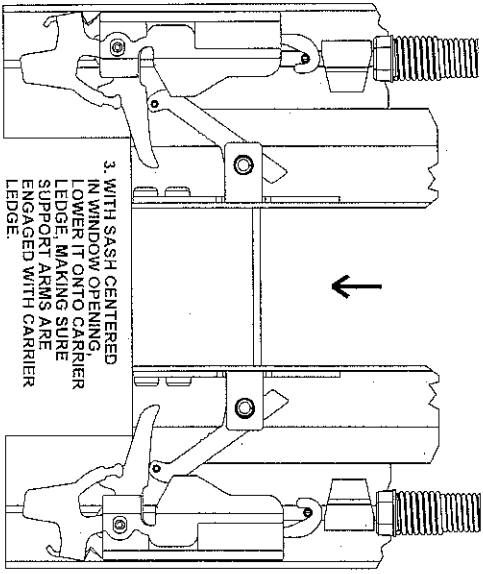
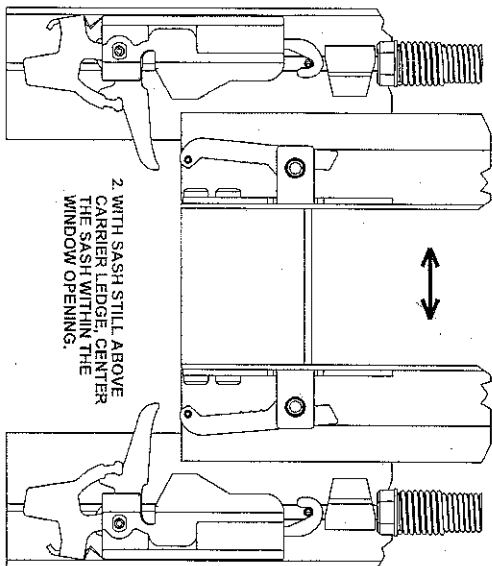
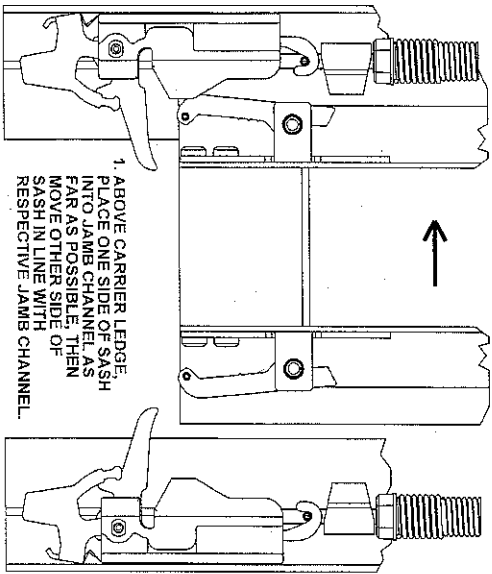


SASH REMOVAL



SASH INSERTION



(DO NOT DROP SASH ONTO CARRIER.)

CARRIER LATCH STORAGE

