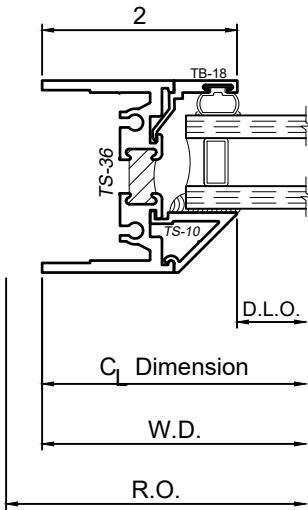
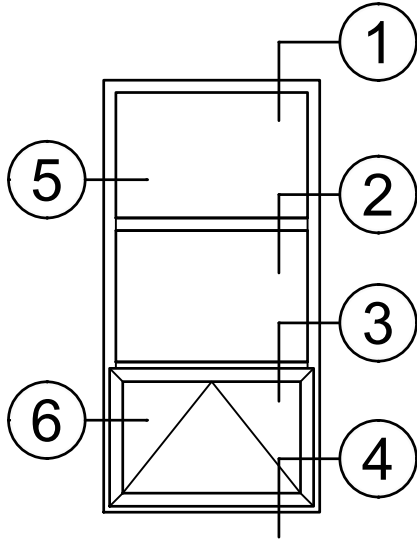


1150S Series 2" Thermal Fixed, Casement & Projected Windows

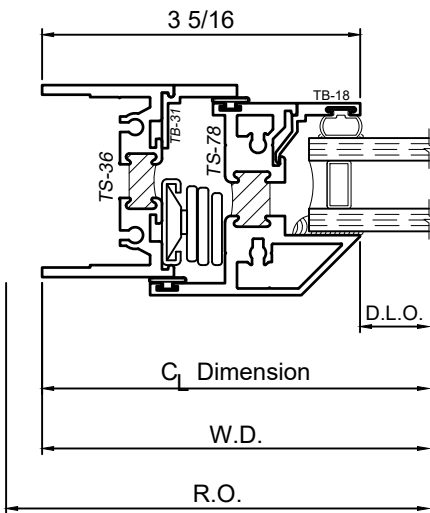
Product Details - Project Out - Awning



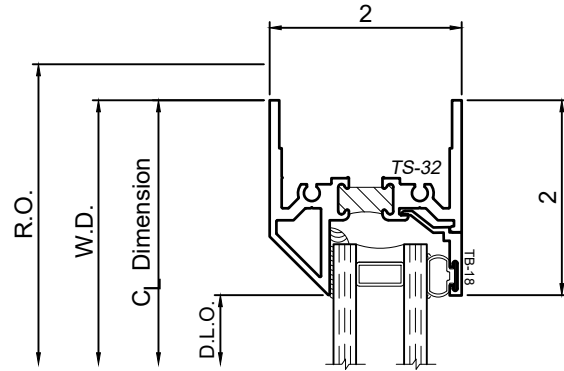
Note: Multiple configurations of this window system are available. Refer to the WINCO website for additional options or contact your local WINCO Sales Representative for information.



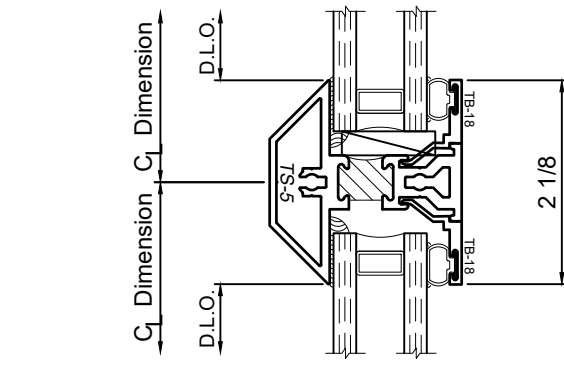
5



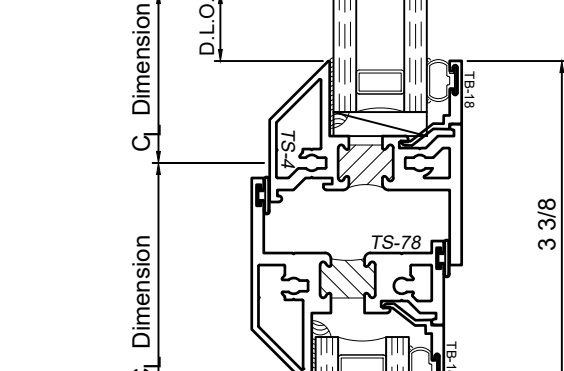
6



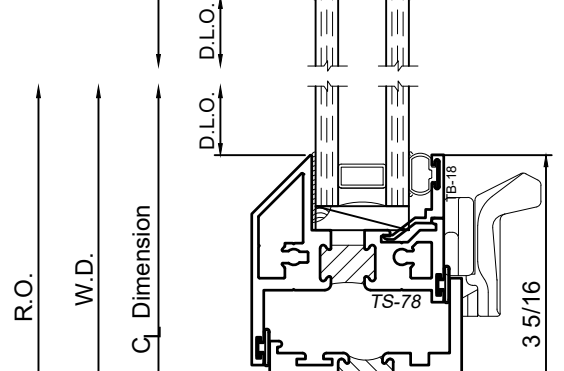
1



2



3



4

WINCO RESERVES THE RIGHT TO MODIFY OR CHANGE INFORMATION WITHIN THIS BOOK WHEN DEEMED NECESSARY FOR PRODUCT IMPROVEMENT

© WINCO WINDOW COMPANY, INC. 2021

SCALE 6"=1'-0"