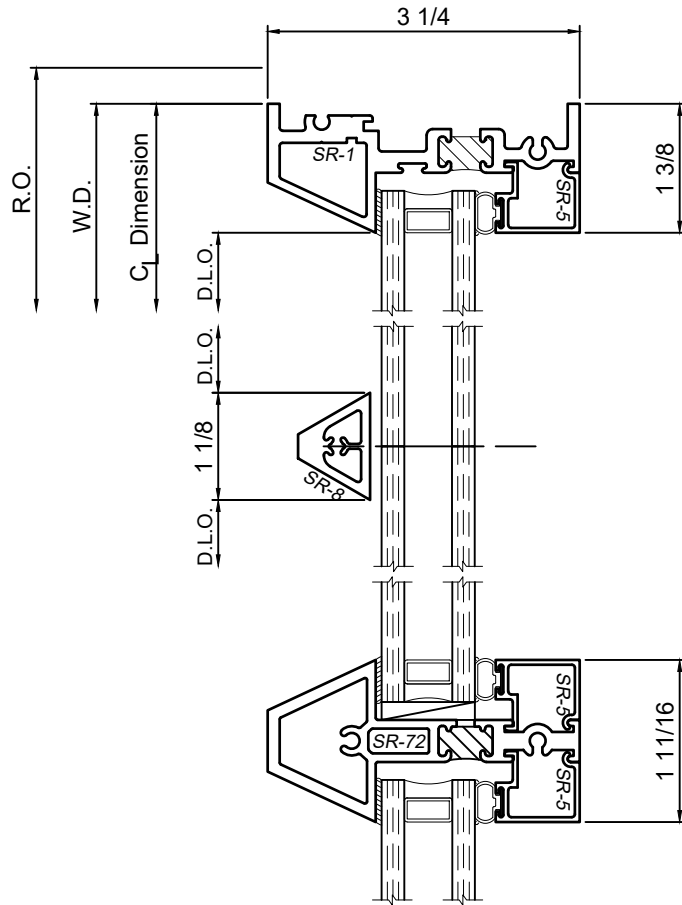
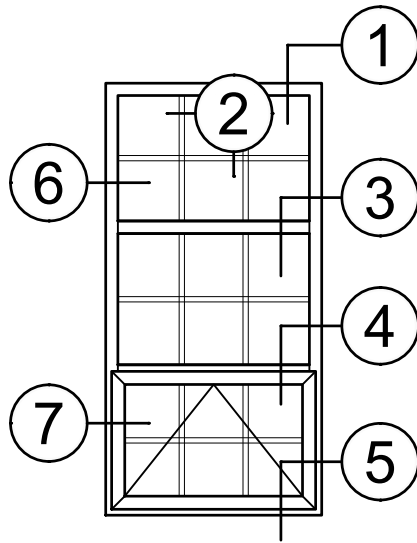


3250 Series 3-1/4" Thermal Fixed, Casement & Projected Windows

Product Details - Fixed|PO Combination Window



Note: Multiple configurations of this window system are available. Refer to the WINCO website for additional options or contact your local WINCO Sales Representative for information.

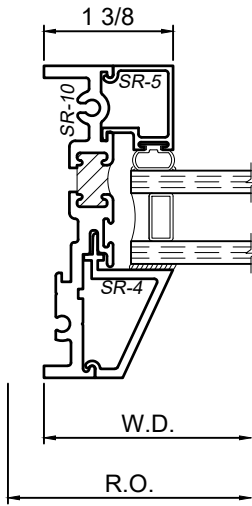


1

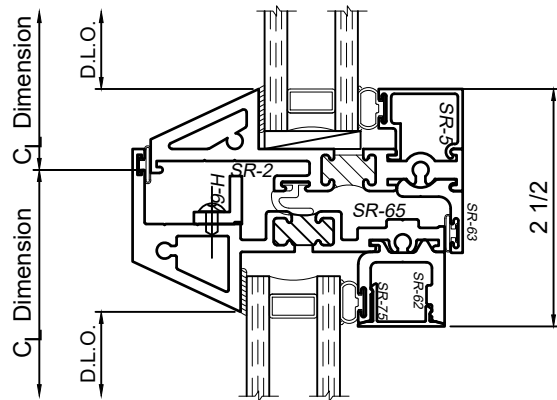
2

3

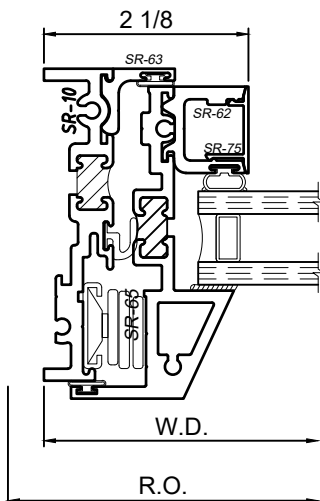
WINCO RESERVES THE RIGHT TO MODIFY OR CHANGE INFORMATION WITHIN THIS BOOK WHEN DEEMED NECESSARY FOR PRODUCT IMPROVEMENT



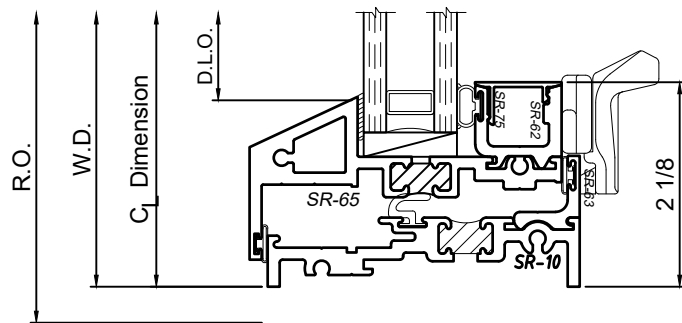
6



4



7



5

© WINCO WINDOW COMPANY, INC. 2021

SCALE 6"=1'-0"