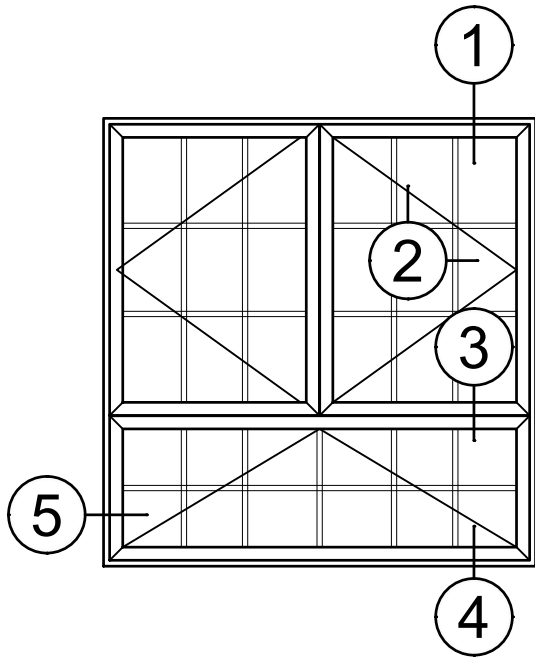


3250 Series 3-1/4" Thermal Fixed, Casement & Projected Windows

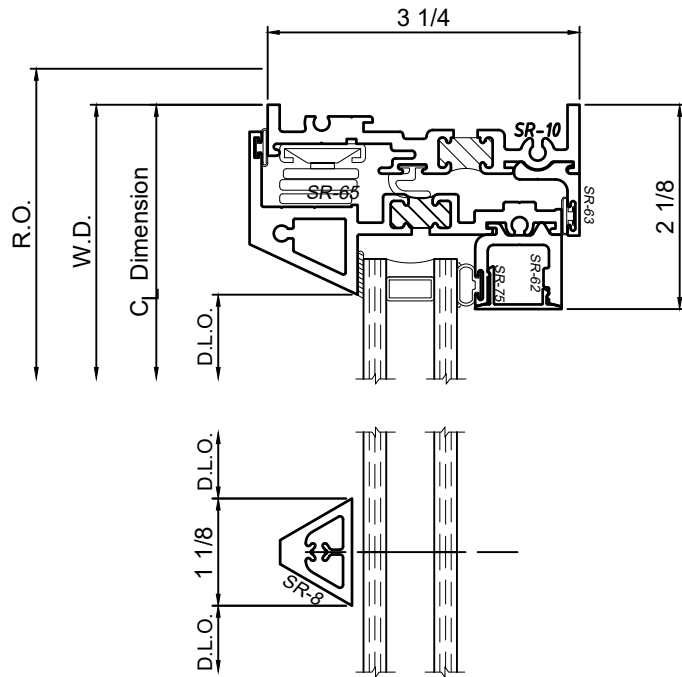
Product Details - Butterfly Casement over PO Vent



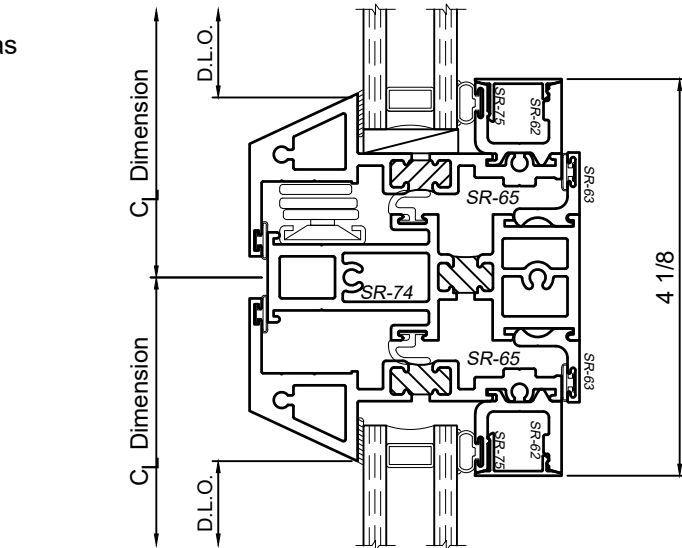
Note: Multiple configurations of this window system are available. Refer to the WINCO website for additional options or contact your local WINCO Sales Representative for information.



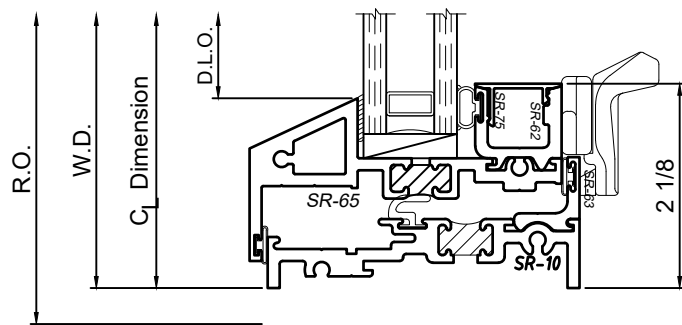
Butterfly Casement / PO Vent available in PO only.
 Concealed 4-Bar Hinges only.
 Will not meet NFPA-101 code for means as secondary egress.



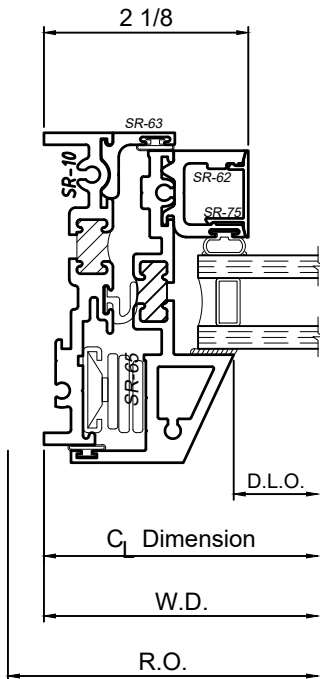
1



2



3



4

WINCO RESERVES THE RIGHT TO MODIFY OR CHANGE INFORMATION WITHIN THIS BOOK WHEN DEEMED NECESSARY FOR PRODUCT IMPROVEMENT

© WINCO WINDOW COMPANY, INC. 2021

SCALE 6"=1'-0"