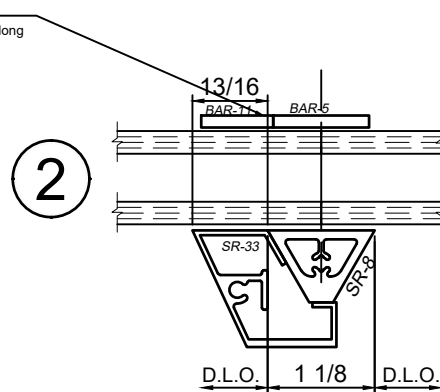
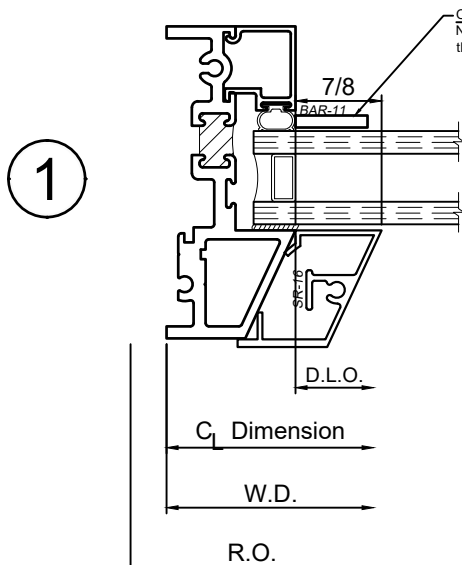
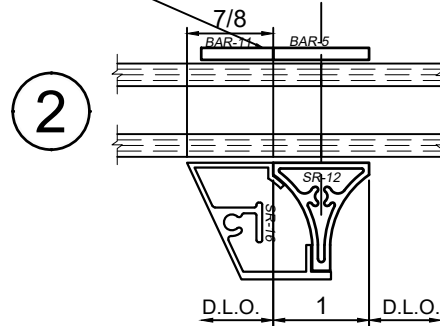
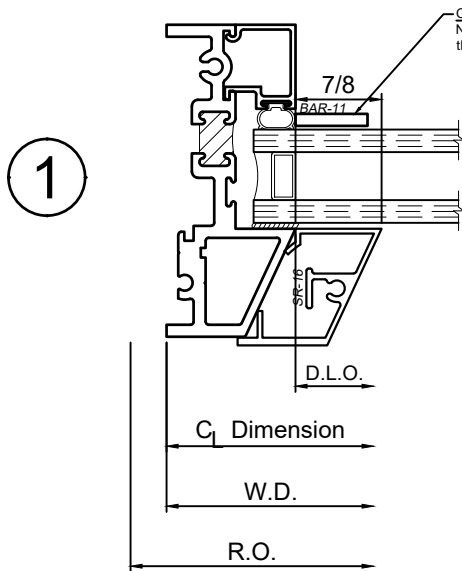
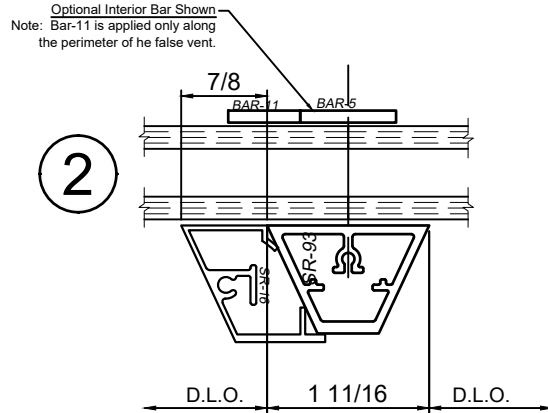
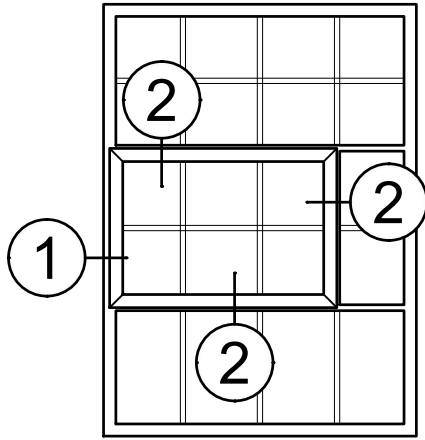


# 3250 Series 3-1/4" Thermal Fixed, Casement & Projected Windows

## Product Details - False Vent Options - SR-16 & SR-33



SCALE 6"=1'-0"

WINCO RESERVES THE RIGHT TO MODIFY OR CHANGE INFORMATION WITHIN THIS BOOK WHEN DEEMED NECESSARY FOR PRODUCT IMPROVEMENT

© WINCO WINDOW COMPANY, INC. 2021