

4" Thermal Hung Replica and Slider Replica Windows

Product Information



WINCO RESERVES THE RIGHT TO MODIFY OR CHANGE INFORMATION WITHIN THIS BOOK WHEN DEEMED NECESSARY FOR PRODUCT IMPROVEMENT

PERFORMANCE

The simulated hung and simulated slider application is a selection of configurations for the Series 1450 / 1450S window. The Series 1450 window and 1450S window is a thermally broken mainframe and sash that exceeds the performance specification criteria as required by ANSI/AAMA for AW (Architectural Grade) windows.

Fixed			Project Out - Awning		
AAMA Rating	AW-100		AAMA Rating	AW-100	
Air Infiltration	0.0 CFM/ft ²		Air Infiltration	0.02 CFM/ft ²	
Water	Over 12 psf		Water	Over 12 psf	
Structural	150 psf		Structural	150 psf	
CRF (AAMA 1503)	65		CRF (AAMA 1503)	60	
Center of Glass U-Value	Window U-Factor ³		Center of Glass U-Value	Window U-Factor ³	
BTU/Ft ² x F° x Hr	47" x 59" ²	60" x 99" ¹	BTU/Ft ² x F° x Hr	59" x 24" ²	60" x 36" ¹
0.20	0.34	0.29	0.20	0.49	0.43
0.24	0.37	0.33	0.24	0.52	0.45
0.29	0.41	0.37	0.29	0.55	0.49
0.34	0.45	0.41	0.34	0.58	0.52
0.47	0.55	0.52	0.47	0.65	0.61

Project In - Hopper			Casement		
AAMA Rating	AW-100		AAMA Rating	AW-100	
Air Infiltration	0.01 CFM/ft ²		Air Infiltration	0.08 CFM/ft ²	
Water	Over 12 psf		Water	Over 12 psf	
Structural	150 psf		Structural	150 psf	
CRF (AAMA 1503)	68		CRF (AAMA 1503)	60	
Center of Glass U-Value	Window U-Factor ³		Center of Glass U-Value	Window U-Factor ³	
BTU/Ft ² x F° x Hr	59" x 24" ²	60" x 36" ¹	BTU/Ft ² x F° x Hr	24" x 59" ²	36" x 60" ¹
0.20	0.49	0.43	0.20	0.49	0.43
0.24	0.52	0.45	0.24	0.52	0.45
0.29	0.55	0.49	0.29	0.55	0.49
0.34	0.58	0.52	0.34	0.58	0.52
0.47	0.65	0.61	0.47	0.65	0.61

This Information is based on current product design, sealed dual glazing, warm edge spacers and testing standards.

Please contact WINCO for project specific information

¹ AAMA 101 Test Size

² NFRC Gateway Test Size

³ Based on NFRC 100

© WINCO WINDOW COMPANY, INC. 2021

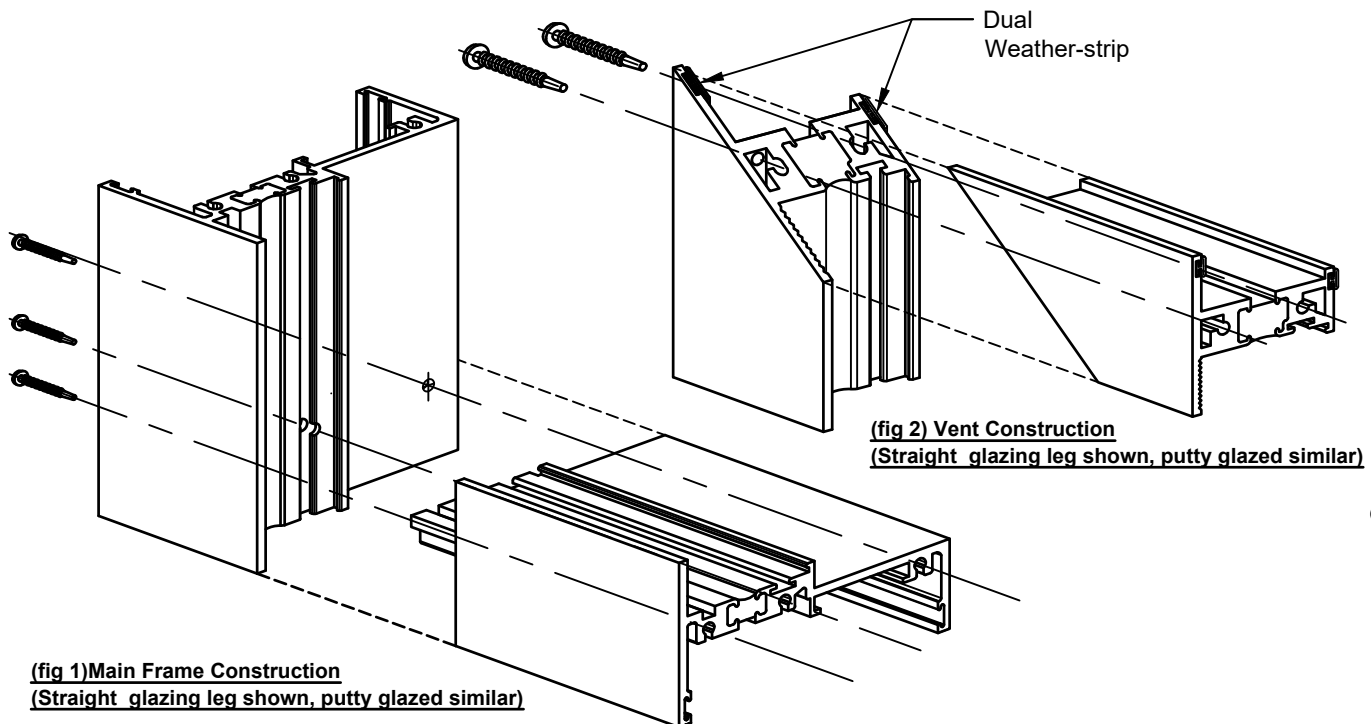
CONSTRUCTION

MATERIAL - The Simulated Hung and Simulated Slider configurations are based on Series 1450 or Series 1450S window, which is a 4" deep frame depth with a nominal wall thickness of .063 inch. All material is extruded from 6063-T6 alloy.

THERMAL BREAK - All framing members of the window system are thermally broken. Winco uses the Azon Azo Brader® process to mechanically condition the surface of the thermal cavity. The process runs the entire length of the extrusion and creates serrations that insure proper adhesion of the structural polymer. The structural urethane is a high density 2 part formula providing optimum thermal performance for the most demanding conditions. The combination of the conditioning of the aluminum surface along with the two part urethane allows Winco to provide a full 10 year warranty against thermal break creep and shrinkage in accordance with AAMA 505-98.

WEATHER-STRIP - All operating ventilators have a double Santoprene®, non-shrinking dual durometer, thermoplastic rubber weather-stripping around the perimeter. One interior and one exterior.

FABRICATION - The main frame corners are coped and mechanically joined using two stainless steel spline screws per corner (fig 1). The vent is a hollow tube shaped extrusion for superior strength and rigidity. Vent corners are fully mitered and mechanically joined using two stainless steel spline screws per corner, aligning the members to form a hairline joint (fig 2). All frame joints are back sealed with small joint seam sealer providing a water tight joinery.



WINCO RESERVES THE RIGHT TO MODIFY OR CHANGE INFORMATION WITHIN THIS BOOK WHEN DEEMED NECESSARY FOR PRODUCT IMPROVEMENT

© WINCO WINDOW COMPANY, INC. 2021

4" Thermal Hung Replica and Slider Replica Windows

Product Information



WINCO RESERVES THE RIGHT TO MODIFY OR CHANGE INFORMATION WITHIN THIS BOOK WHEN DEEMED NECESSARY FOR PRODUCT IMPROVEMENT

GLAZING

The windows can be interior or exterior glazed with .050 thick extruded aluminum glazing beads accommodating thicknesses from 1/8" up to 1 1/2" for the straight leg and up to 1" for the putty glazed configurations. Dual or triple glazing is an option utilizing an interior panel sash that can either be hinged with 4-bar stainless steel hinges or a more economical take out sash. Venetian blinds are available with the dual or triple glazed window options. See the quick reference chart below for all glazing options. For actual details refer to the glazing section in the back of the 1450 section for optional glazing and blind details.

Glazing Thickness		1/8"	3/16"	1/4"	5/16"	3/8"	1/2"	9/16"	5/8"	3/4"	7/8"	1"	1-1/4"	1-3/8"	1-1/2"
Insulated		-	-	-	-	-	-	-	-	-	X	X	X ¹	X ¹	X ¹
Dual Glazed	Exterior	-	X	X	-	-	-	-	X	-	-	-	-	-	-
	Interior	X	X	X	-	X	X	X	-	-	-	-	-	-	-
Triple Glazed	Exterior	-	-	-	-	-	-	-	X	-	-	X	-	-	-
	Interior	X	X	X	-	X	X	X	-	-	-	-	-	-	-

1 - I.G. in excess of 1" require straight leg frame & sash.

Winco has different gaskets and glazing methods that can accommodate odd thicknesses of glass. If you do not see what you are looking for within this chart please contact your local representative for information regarding your specific project needs.

HARDWARE

All exposed locking hardware, strikes and keepers are solid white bronze alloy with US25D brushed finish. All four bar arms, casement arms, friction arms and key release limit arms are stainless steel conforming to AAMA 904.1. Five knuckle butt hinges are fabricated of 6063-T6 aluminum with nylon bushings and a stainless steel hinge pin.

Window Type	Butt Hinge	4-Bar Arms	Casement Arms	Friction Adjustable	Roto Operator	Cam Lock	Pole Ring Cam Lock	Access Control Lock	Lift Lock	Pole Ring Lift Lock	Pull Handle	Key Release Limit Arm	Fixed Limit Stop	Under Screen Push Bar
PO - Awning	-	X	-	-	O ²	X	O ³	O	O ²	O ²	O	O	O	O ⁵
PI - Hopper	-	X	-	-	-	X	O	O	O	O	-	O	O	-
Casement - Outswing w/ concealed Hinges	-	-	X	-	O ^{2,4}	O	O ³	O	O	O	X	O	O	O ^{2,5}
Casement - Inswing w/ concealed Hinges	-	-	X	-	-	O	O	O	X	O	-	O	O	-

X = Standard Hardware

O = Optional Hardware

Note:

- ¹ Not all hardware is compatible with each other, contact your local Winco representative for information
- ² Size limitations exist on some hardware, contact your local Winco representative for information
- ³ A pole ring pull will be provided on a project out vent is optional pole ring cam locks are required and no screen is furnished
- ⁴ Minimum width requirement for optional roto operators on casement windows with concealed casement arm hinging
- ⁵ Under screen push bars are not recommended by Winco if optimum water performance is a requirement

© WINCO WINDOW COMPANY, INC. 2021

SCREENS

FRAME - frames are fabricated from 6063-T6 extruded aluminum alloy and temper. All screen frames are miter cut and corner keyed. The corners are mechanically crimped together for durability. The screen frame is finished to match the window frame.

MESH - Standard .011 aluminum screen wire mesh is produced from 5154 alloy with 18x16 pattern in Charcoal or Aluminum color. All mesh is applied to the screen frame with a roller spline making for easy and quick replacements. Optional fiberglass or .009 stainless steel mesh is available as an option.

WINCO RESERVES THE RIGHT TO MODIFY OR CHANGE INFORMATION WITHIN
THIS BOOK WHEN DEEMED NECESSARY FOR PRODUCT IMPROVEMENT

© WINCO WINDOW COMPANY, INC. 2021

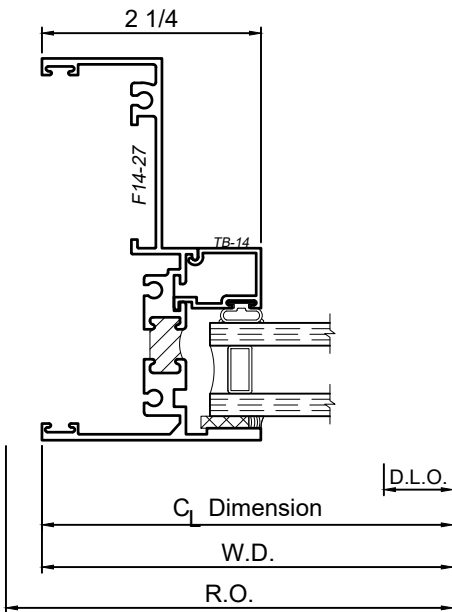
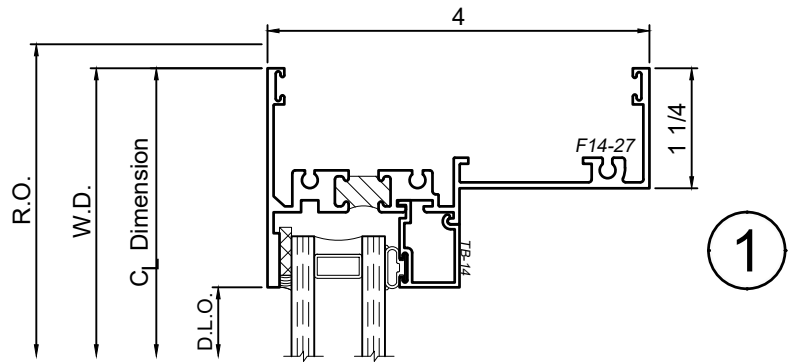
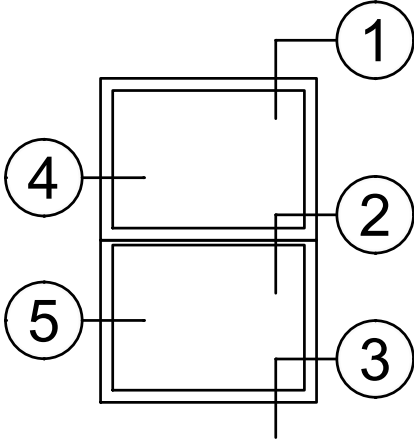
4" Thermal Hung Replica and Slider Replica Windows

Product Details - Fixed over Fixed [HR-1]

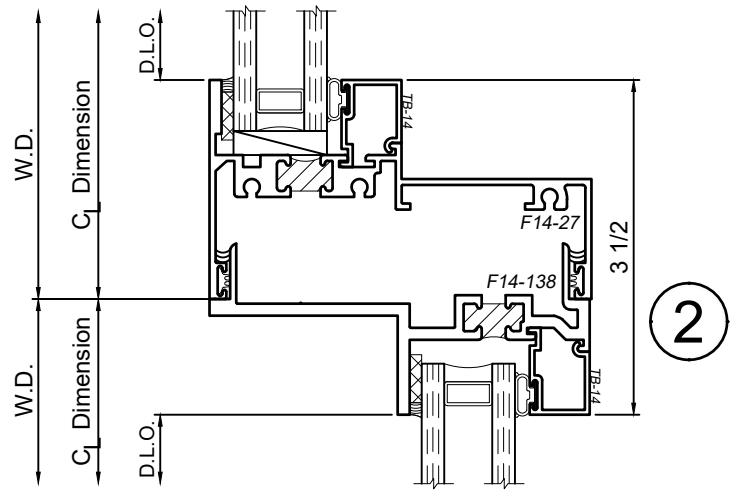


Note: Multiple configurations of this window system are available. Refer to the WINCO website for additional options or contact your local WINCO Sales Representative for information.

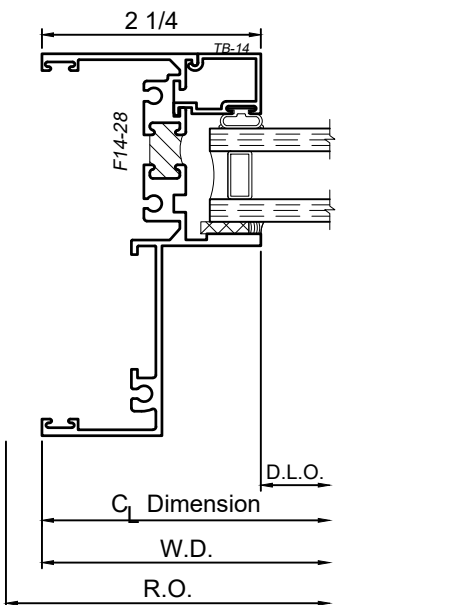
WINCO RESERVES THE RIGHT TO MODIFY OR CHANGE INFORMATION WITHIN THIS BOOK WHEN DEEMED NECESSARY FOR PRODUCT IMPROVEMENT



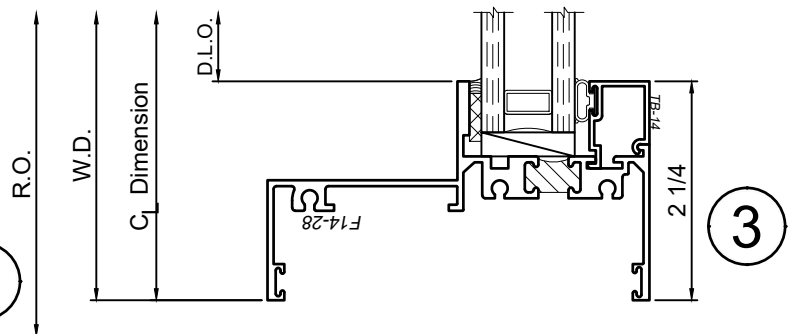
4



2



5



3

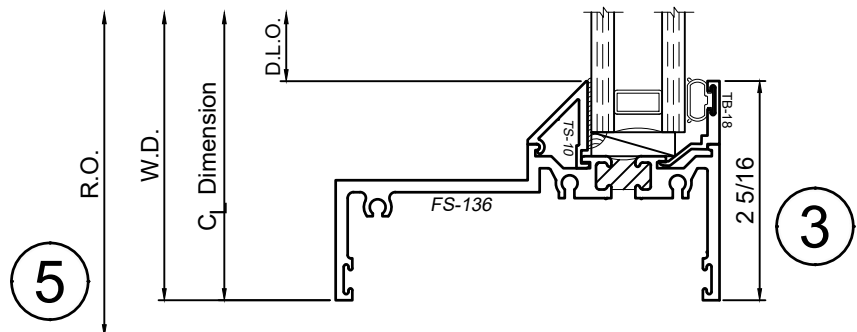
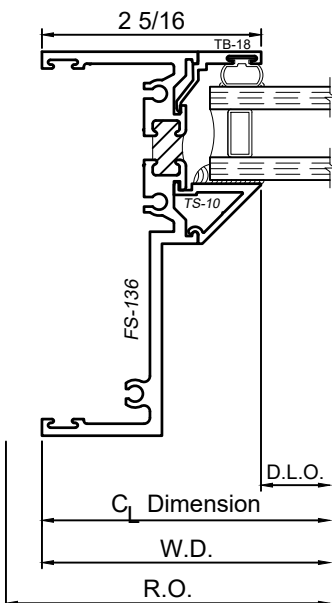
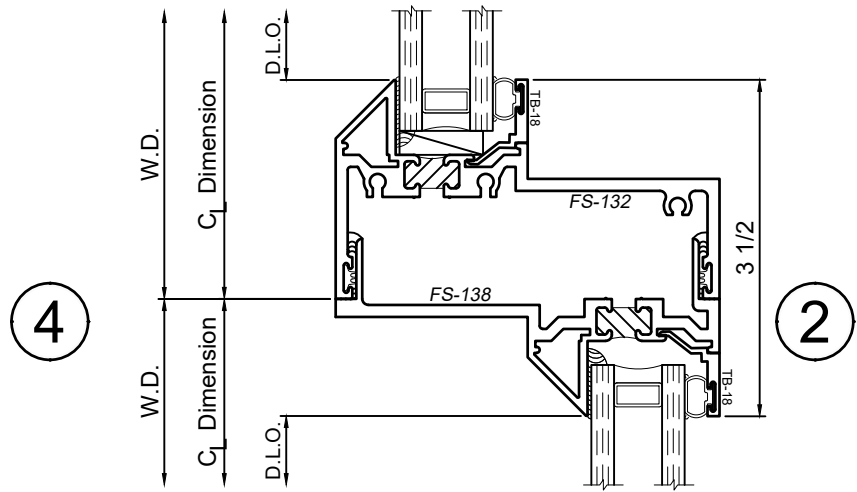
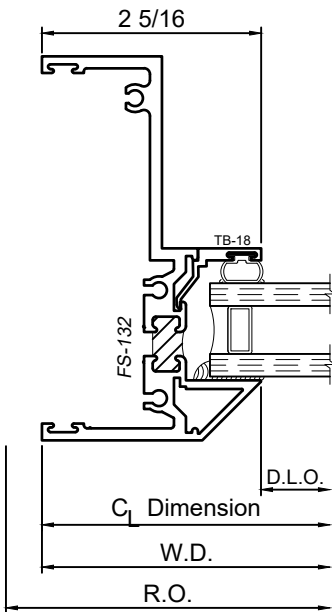
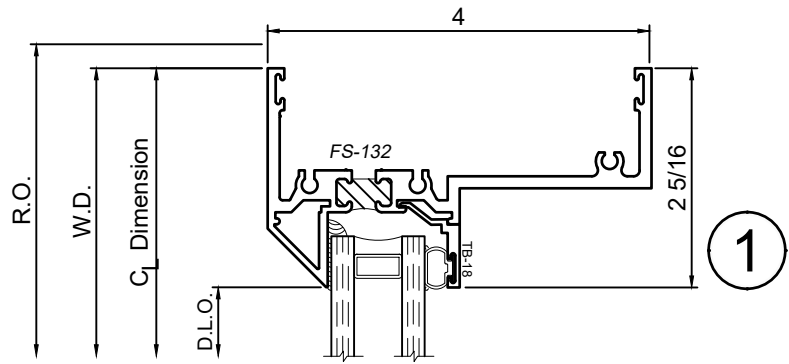
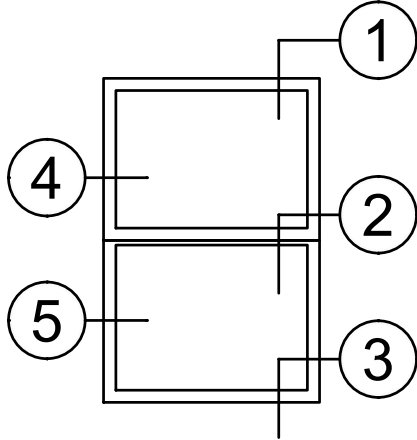
SCALE 6"=1'-0"

4" Thermal Hung Replica and Slider Replica Windows

Product Details - Fixed over Fixed [HR-2]



Note: Multiple configurations of this window system are available. Refer to the WINCO website for additional options or contact your local WINCO Sales Representative for information.



SCALE 6"=1'-0"

WINCO RESERVES THE RIGHT TO MODIFY OR CHANGE INFORMATION WITHIN THIS BOOK WHEN DEEMED NECESSARY FOR PRODUCT IMPROVEMENT

© WINCO WINDOW COMPANY, INC. 2021

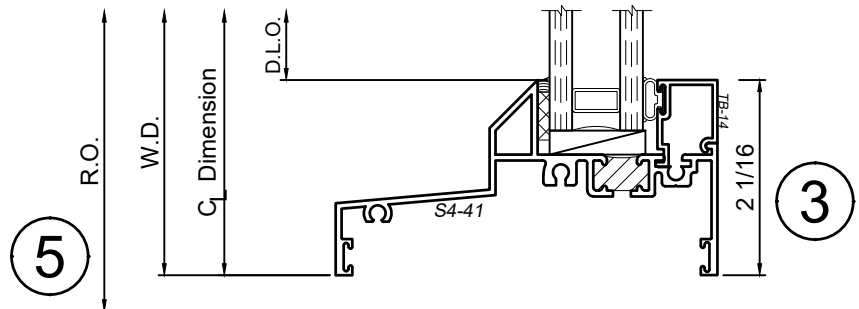
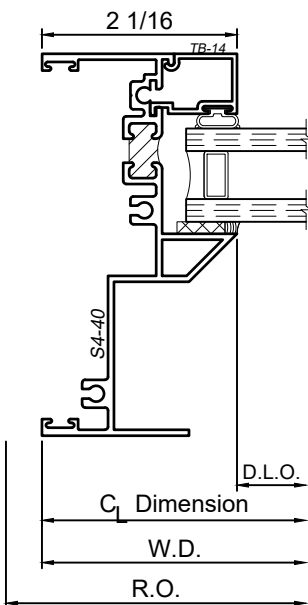
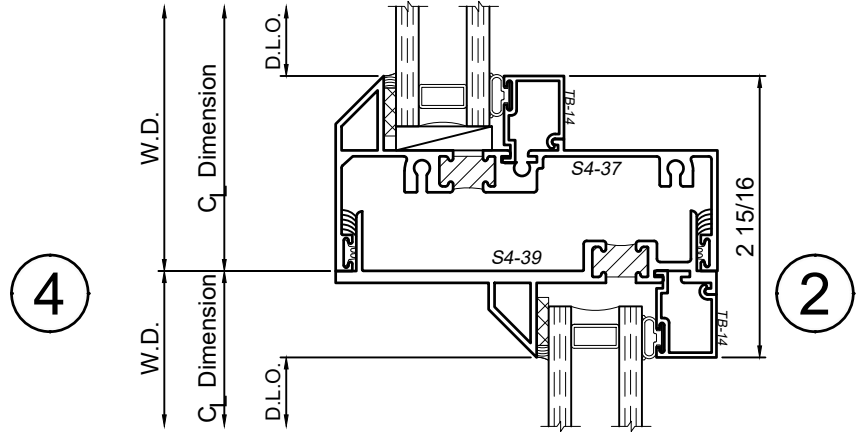
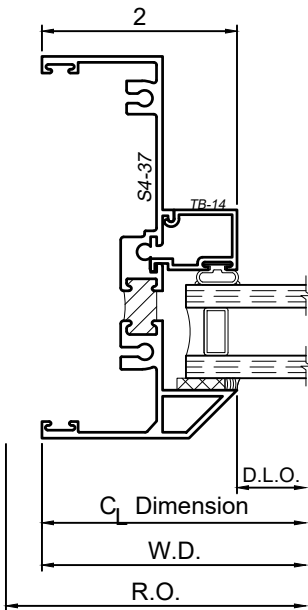
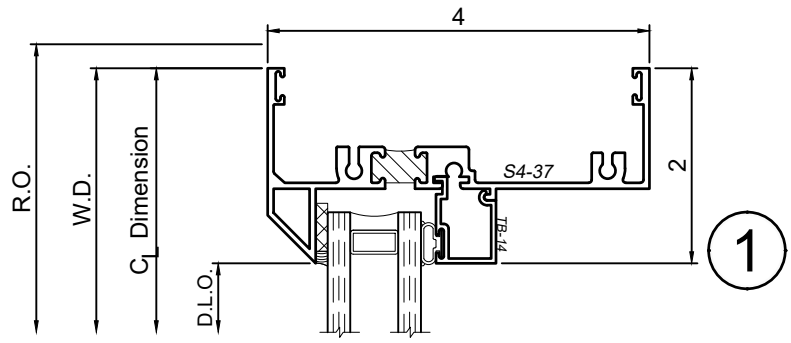
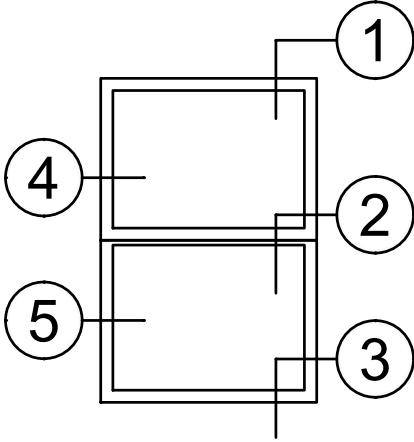
4" Thermal Hung Replica and Slider Replica Windows

Product Details - Fixed over Fixed [HR-3]



Note: Multiple configurations of this window system are available. Refer to the WINCO website for additional options or contact your local WINCO Sales Representative for information.

WINCO RESERVES THE RIGHT TO MODIFY OR CHANGE INFORMATION WITHIN THIS BOOK WHEN DEEMED NECESSARY FOR PRODUCT IMPROVEMENT



Grand Park Center
Fixed I.G. only
1" I.G. w/ TB-14 Bead
All Grid Option

Not compatible
w/ RS-xx, F14-xx, FS-xx, TS-xx
or Blind Access Sash

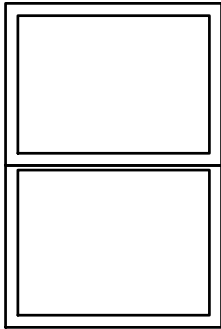
SCALE 6"=1'-0"

© WINCO WINDOW COMPANY, INC. 2021

4" Thermal Hung Replica and Slider Replica Windows Product Details -



Note: Multiple configurations of this window system are available. Refer to the WINCO website for additional options or contact your local WINCO Sales Representative for information.



WINCO RESERVES THE RIGHT TO MODIFY OR CHANGE INFORMATION WITHIN
THIS BOOK WHEN DEEMED NECESSARY FOR PRODUCT IMPROVEMENT

**Page no longer used
"Tuttle" design is no longer available**

© WINCO WINDOW COMPANY, INC. 2021

SCALE 6"=1'-0"

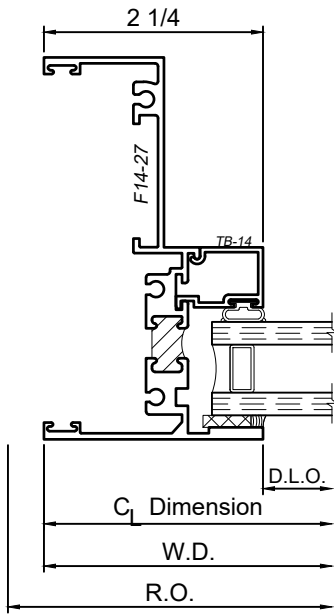
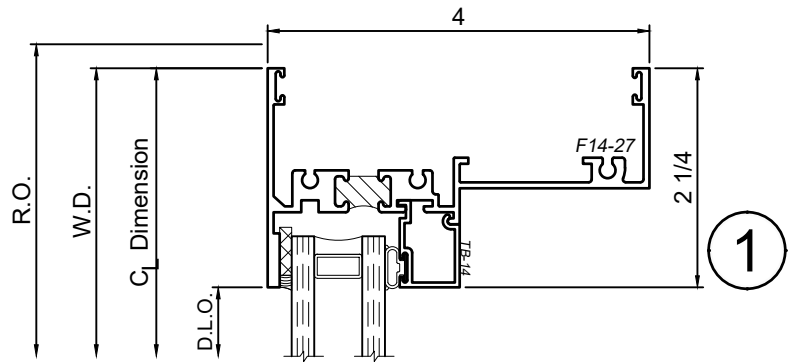
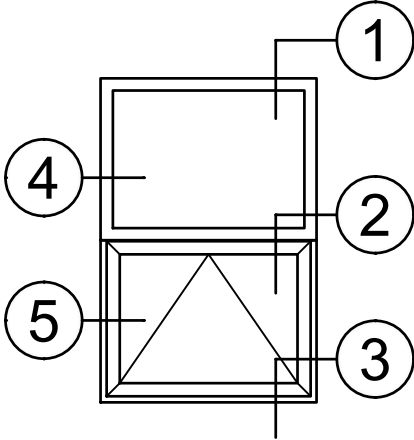
4" Thermal Hung Replica and Slider Replica Windows

Product Details - Fixed over PO [HR-5]

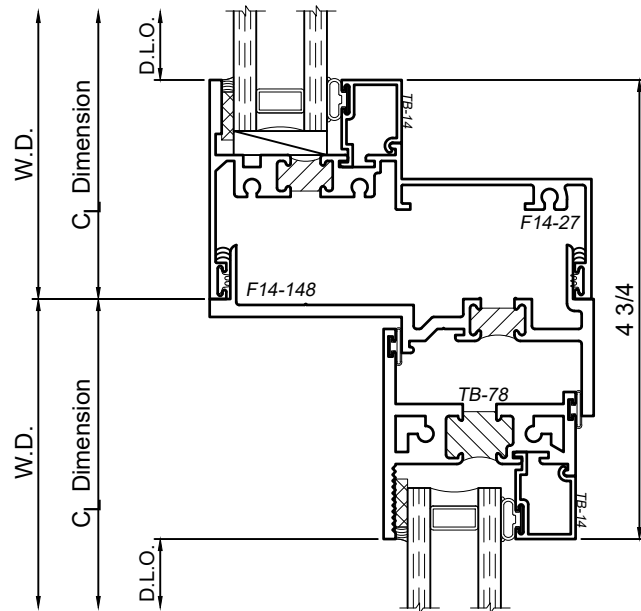


Note: Multiple configurations of this window system are available. Refer to the WINCO website for additional options or contact your local WINCO Sales Representative for information.

WINCO RESERVES THE RIGHT TO MODIFY OR CHANGE INFORMATION WITHIN THIS BOOK WHEN DEEMED NECESSARY FOR PRODUCT IMPROVEMENT

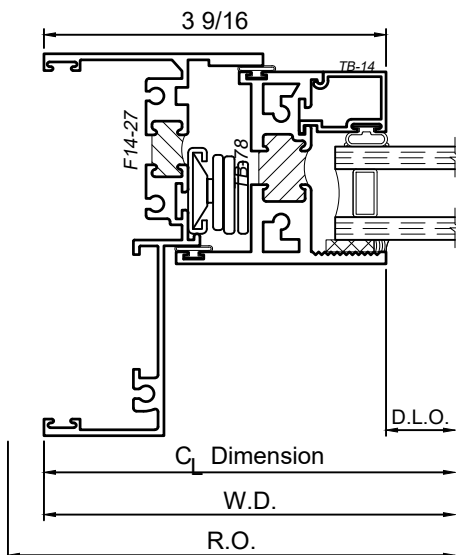


4

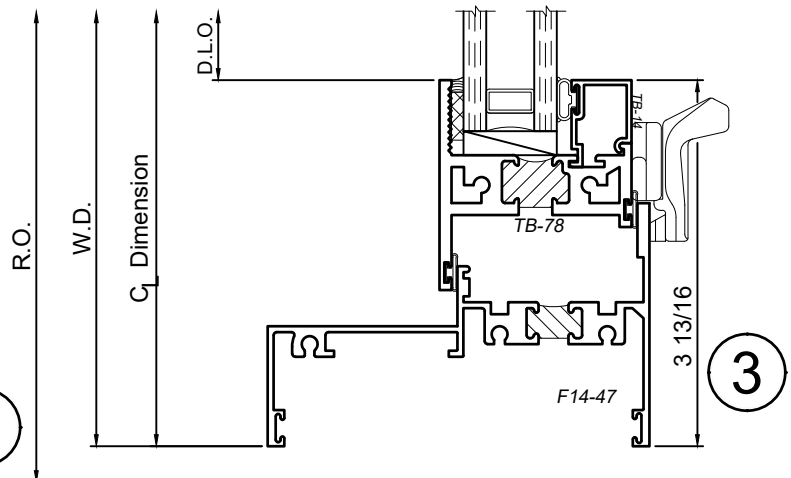


2

© WINCO WINDOW COMPANY, INC. 2021



5



3

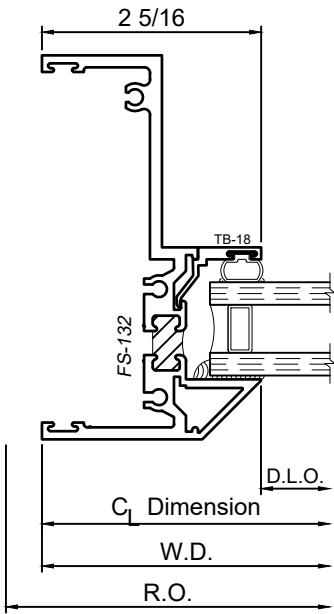
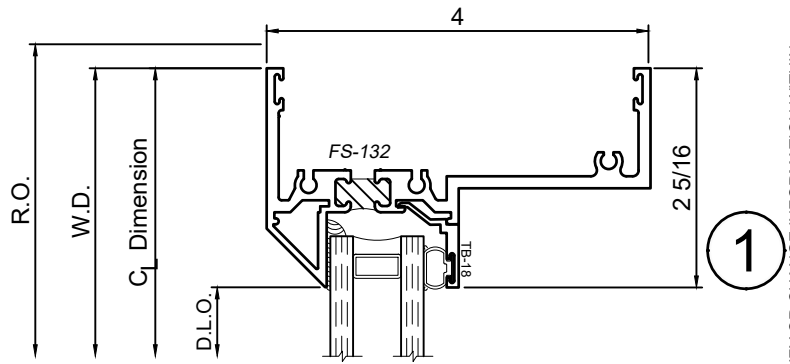
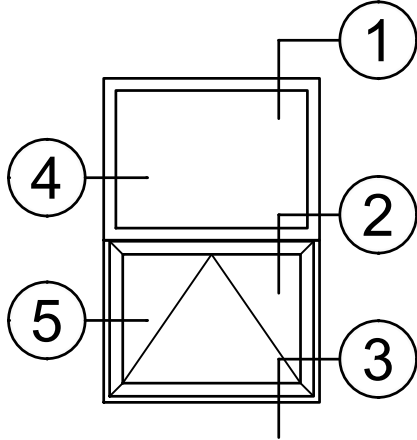
SCALE 6"=1'-0"

4" Thermal Hung Replica and Slider Replica Windows

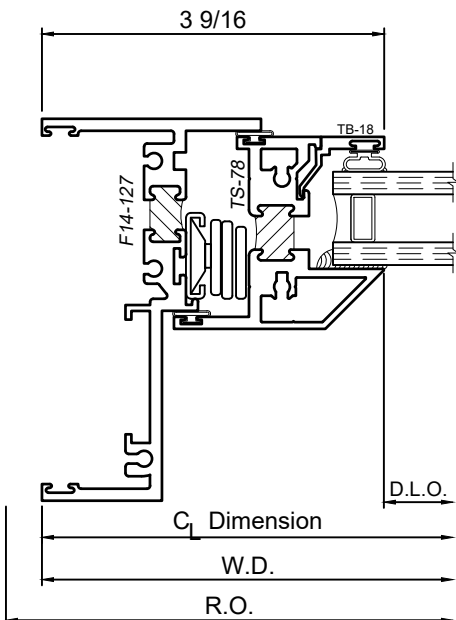
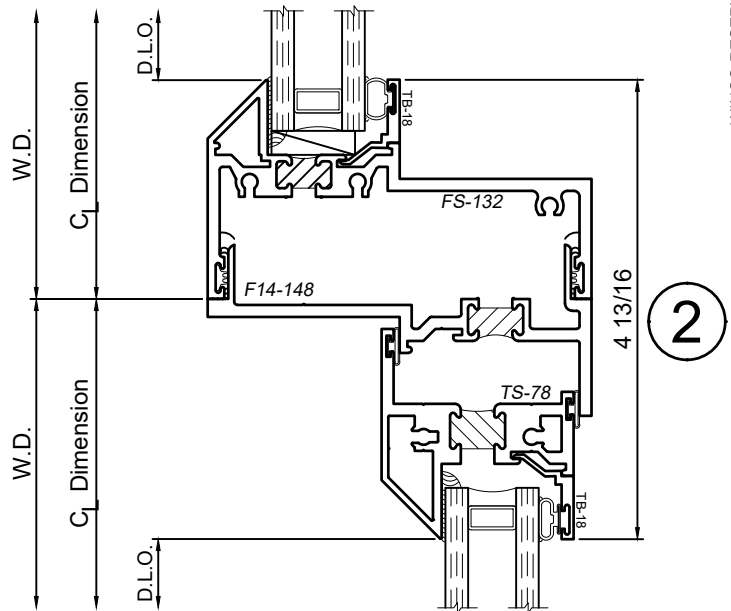
Product Details - Fixed over PO [HR-6]



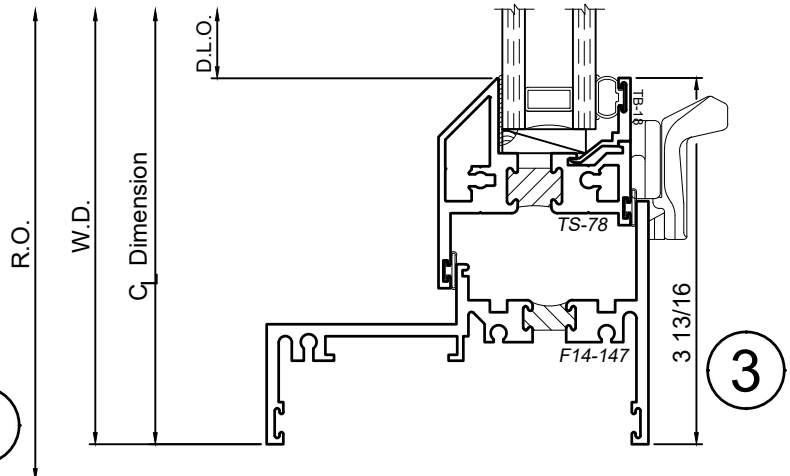
Note: Multiple configurations of this window system are available. Refer to the WINCO website for additional options or contact your local WINCO Sales Representative for information.



4



5



WINCO RESERVES THE RIGHT TO MODIFY OR CHANGE INFORMATION WITHIN THIS BOOK WHEN DEEMED NECESSARY FOR PRODUCT IMPROVEMENT

© WINCO WINDOW COMPANY, INC. 2021

SCALE 6"=1'-0"

4" Thermal Hung Replica and Slider Replica Windows

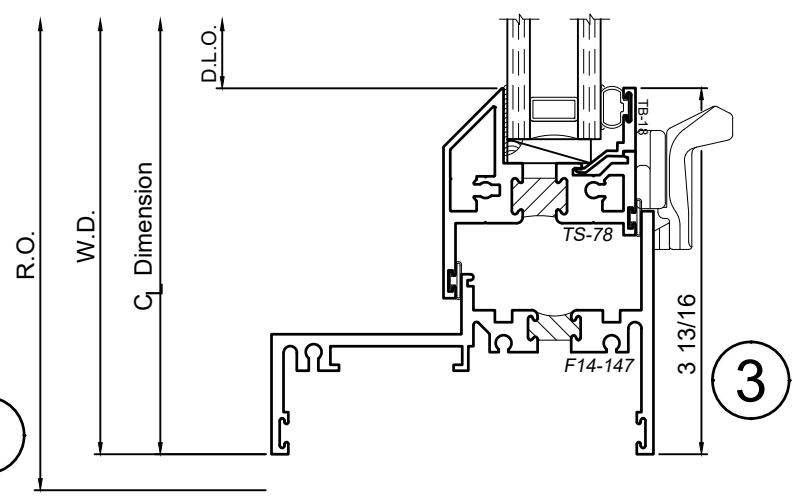
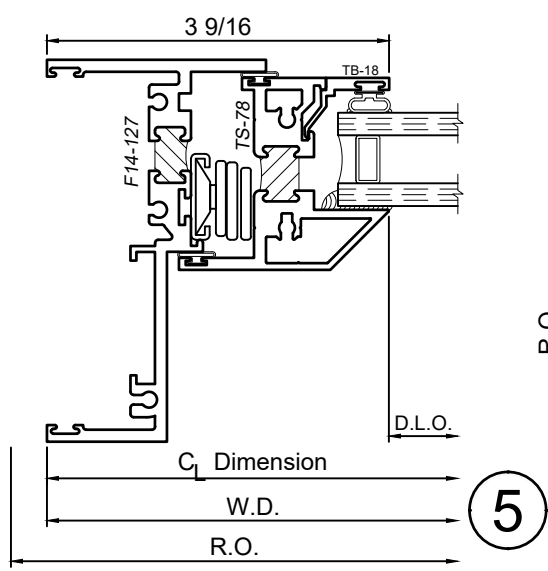
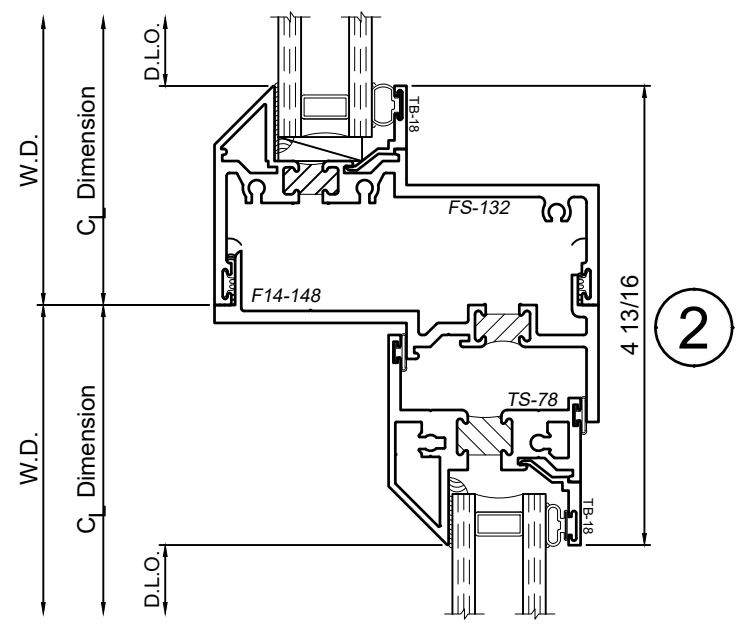
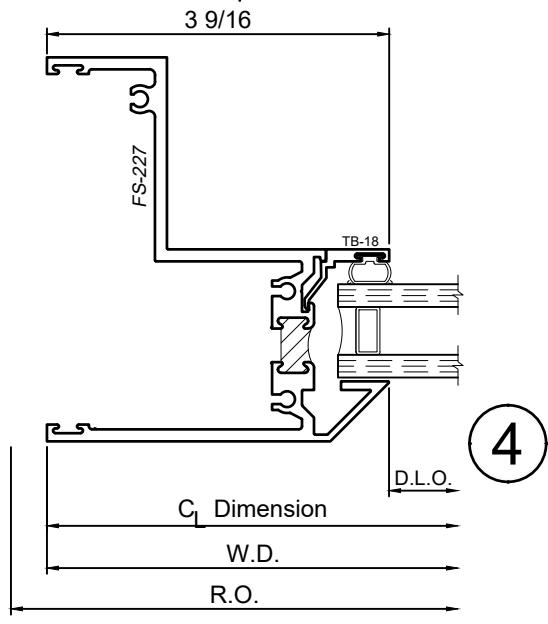
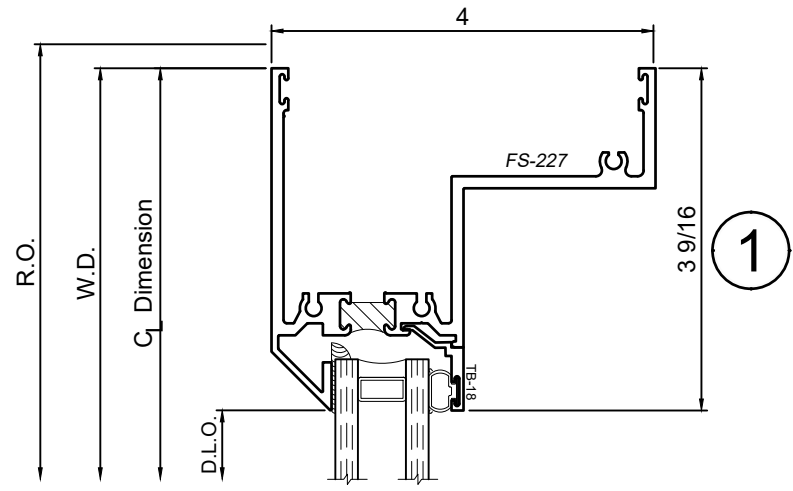
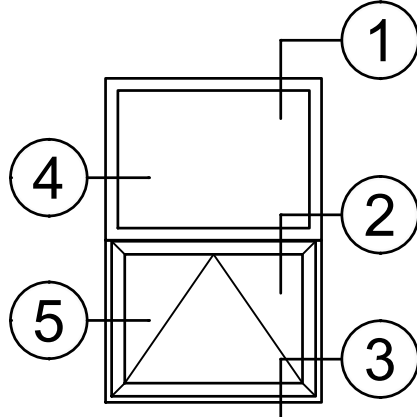
Product Details - Fixed over PO [HR-7]



Note: Multiple configurations of this window system are available. Refer to the WINCO website for additional options or contact your local WINCO Sales Representative for information.

WINCO RESERVES THE RIGHT TO MODIFY OR CHANGE INFORMATION WITHIN THIS BOOK WHEN DEEMED NECESSARY FOR PRODUCT IMPROVEMENT

© WINCO WINDOW COMPANY, INC. 2021



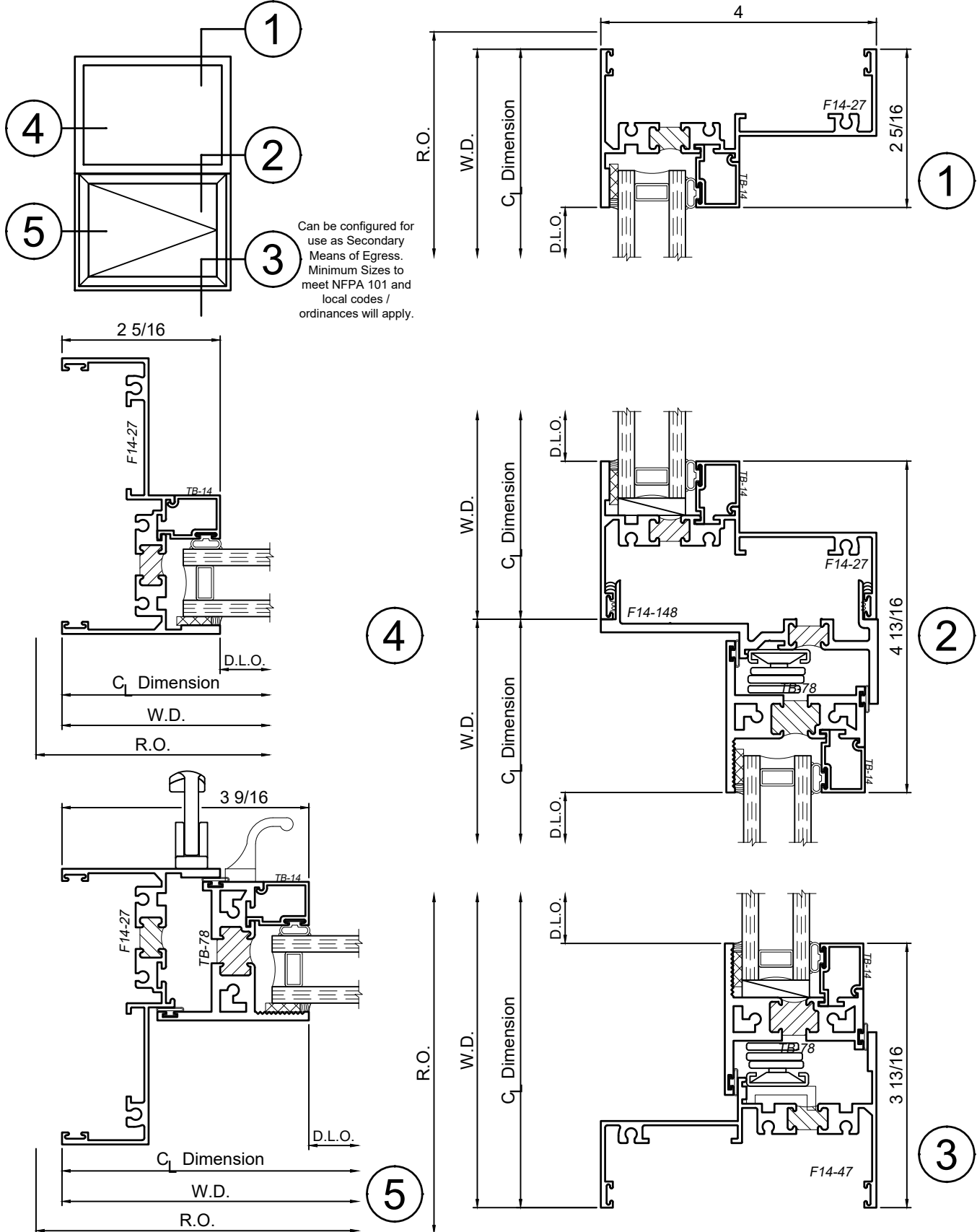
SCALE 6"=1'-0"

4" Thermal Hung Replica and Slider Replica Windows

Product Details - Fixed over Outswing Casement [HR-8]



Note: Multiple configurations of this window system are available. Refer to the WINCO website for additional options or contact your local WINCO Sales Representative for information.



WINCO RESERVES THE RIGHT TO MODIFY OR CHANGE INFORMATION WITHIN THIS BOOK WHEN DEEMED NECESSARY FOR PRODUCT IMPROVEMENT

© WINCO WINDOW COMPANY, INC. 2021

SCALE 6"=1'-0"

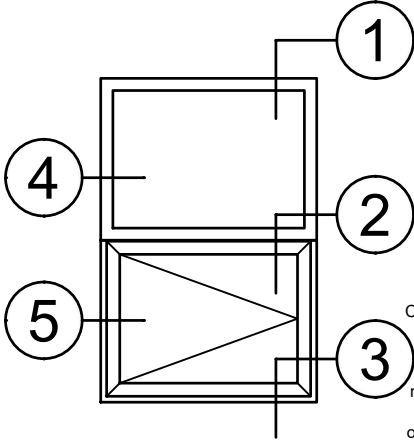
4" Thermal Hung Replica and Slider Replica Windows

Product Details - Fixed over Outswing Casement [HR-9]

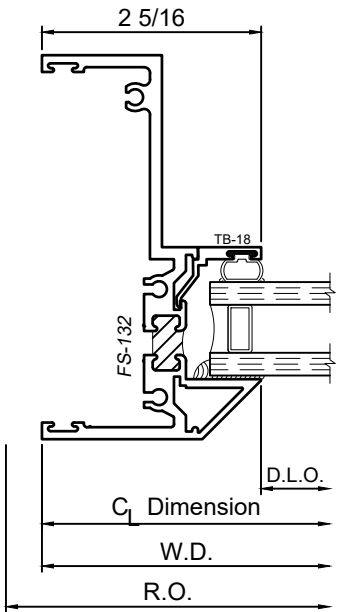
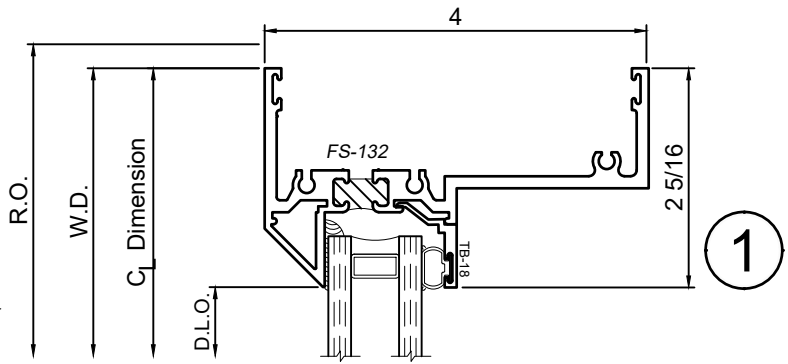


Note: Multiple configurations of this window system are available. Refer to the WINCO website for additional options or contact your local WINCO Sales Representative for information.

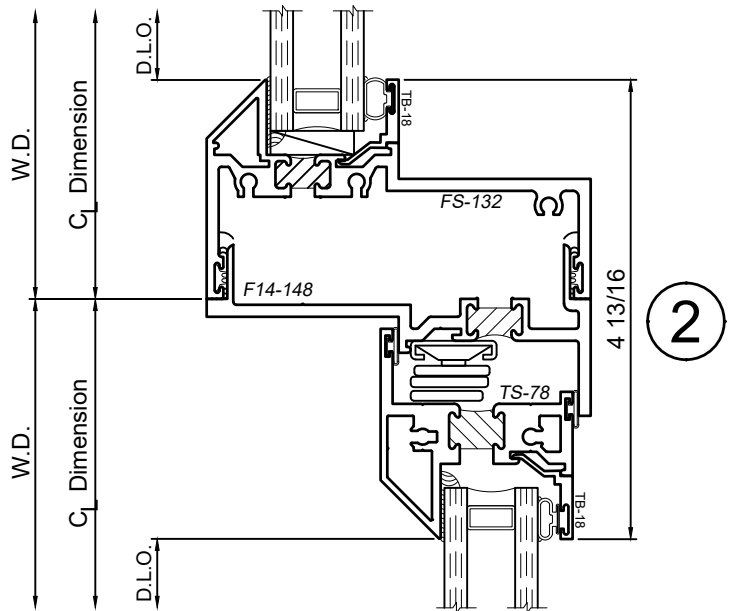
WINCO RESERVES THE RIGHT TO MODIFY OR CHANGE INFORMATION WITHIN THIS BOOK WHEN DEEMED NECESSARY FOR PRODUCT IMPROVEMENT



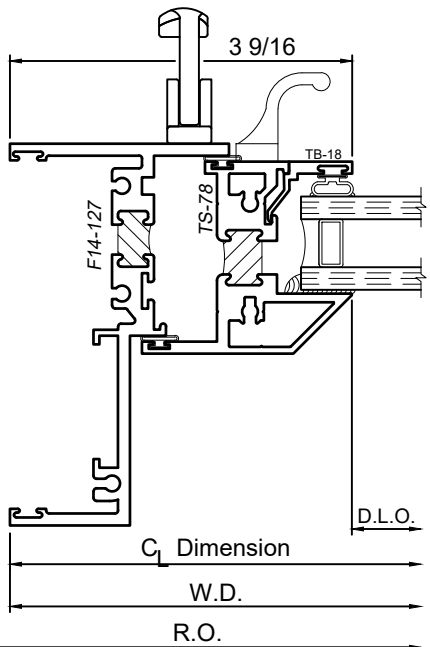
Can be configured for use as Secondary Means of Egress. Minimum Sizes to meet NFPA 101 and local codes / ordinances will apply.



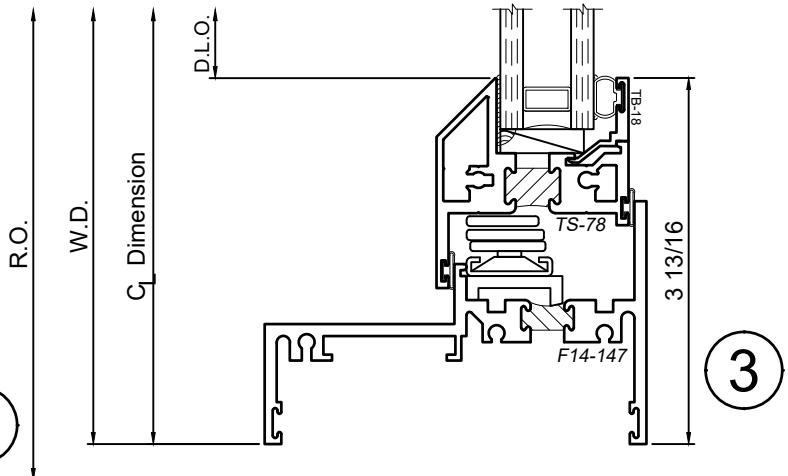
4



2



5



3

SCALE 6"=1'-0"

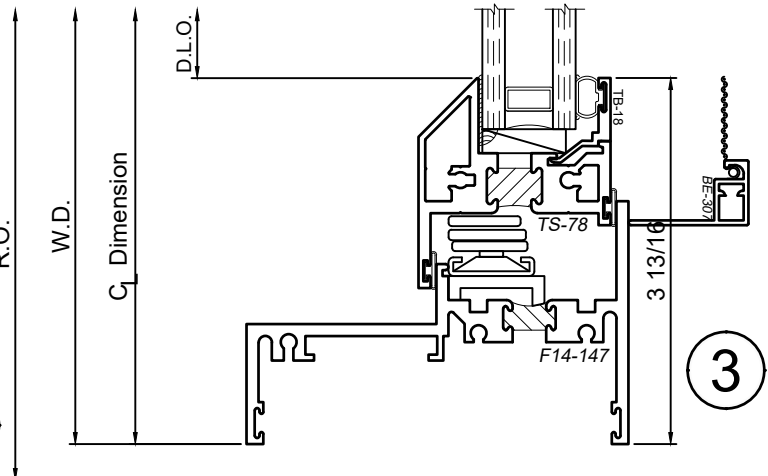
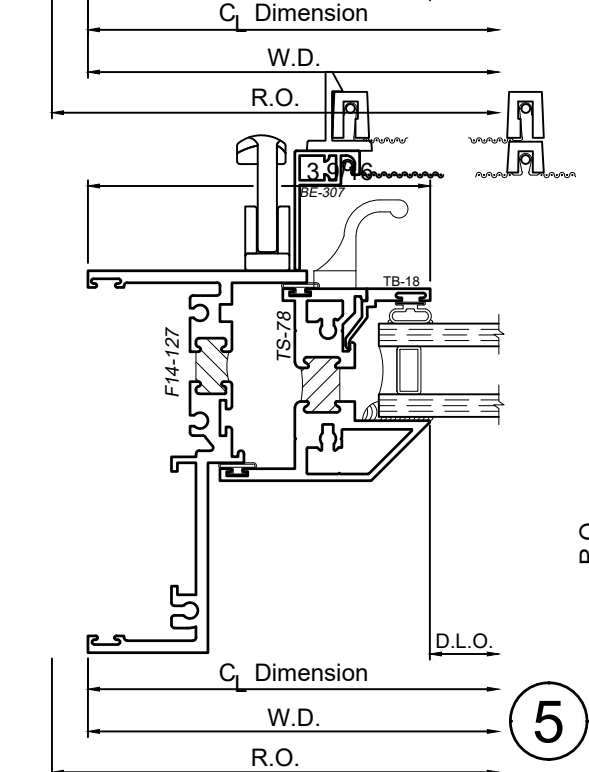
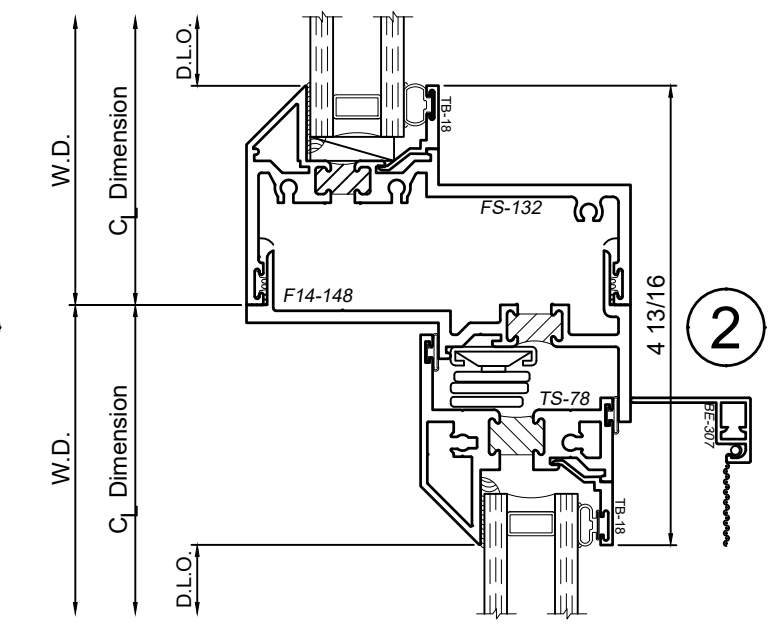
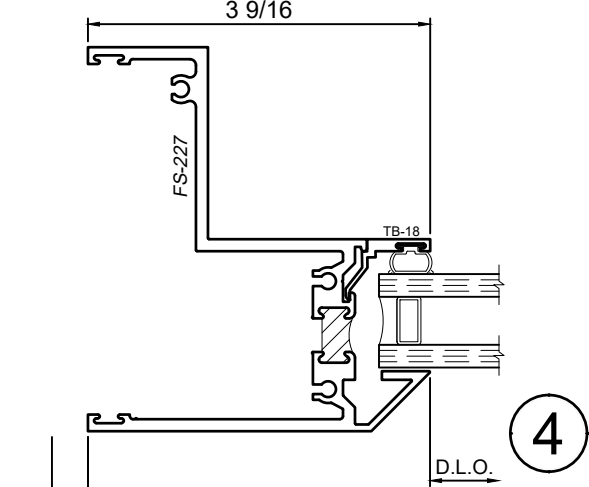
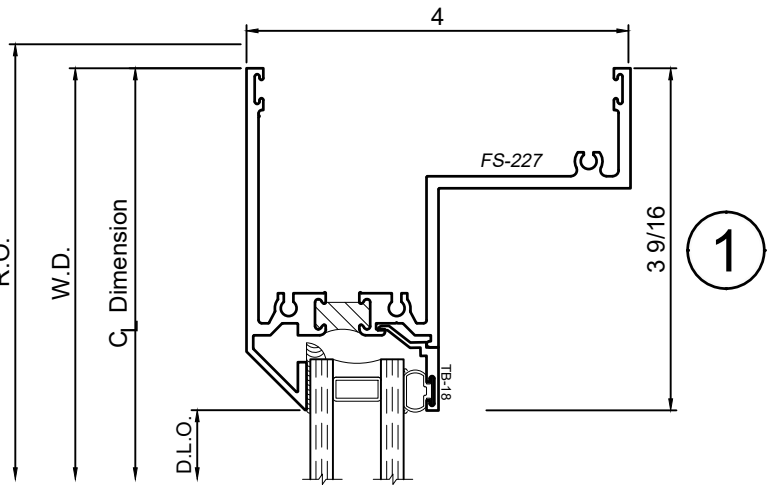
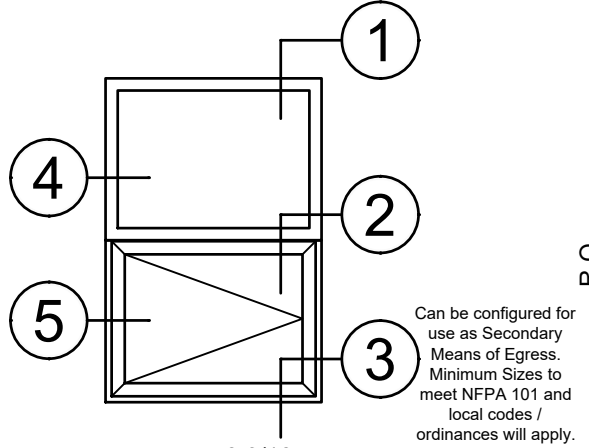
© WINCO WINDOW COMPANY, INC. 2021

4" Thermal Hung Replica and Slider Replica Windows

Product Details - Fixed over Outswing Casement [HR-10]



Note: Multiple configurations of this window system are available. Refer to the WINCO website for additional options or contact your local WINCO Sales Representative for information.



WINCO RESERVES THE RIGHT TO MODIFY OR CHANGE INFORMATION WITHIN THIS BOOK WHEN DEEMED NECESSARY FOR PRODUCT IMPROVEMENT

© WINCO WINDOW COMPANY, INC. 2021

SCALE 6"=1'-0"

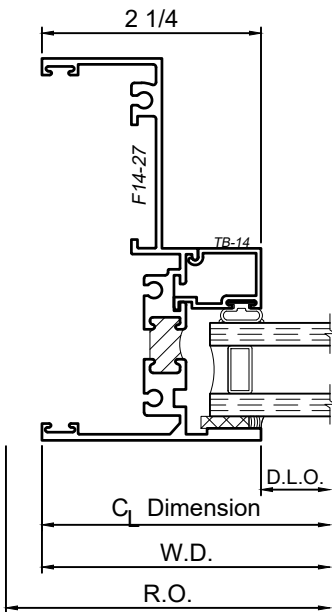
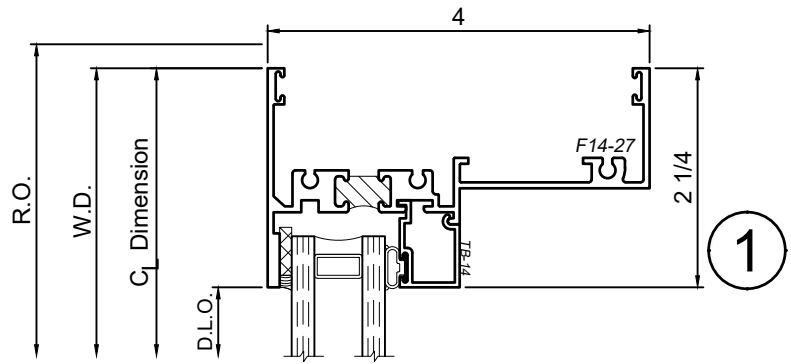
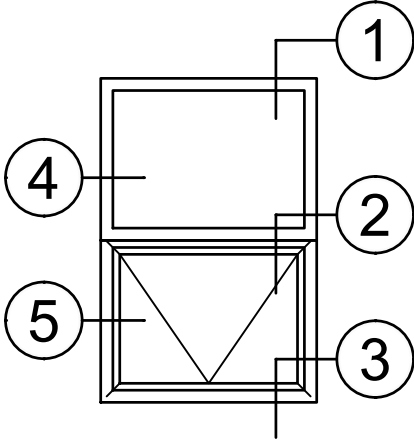
4" Thermal Hung Replica and Slider Replica Windows

Product Details - Fixed over PI [HR-11]

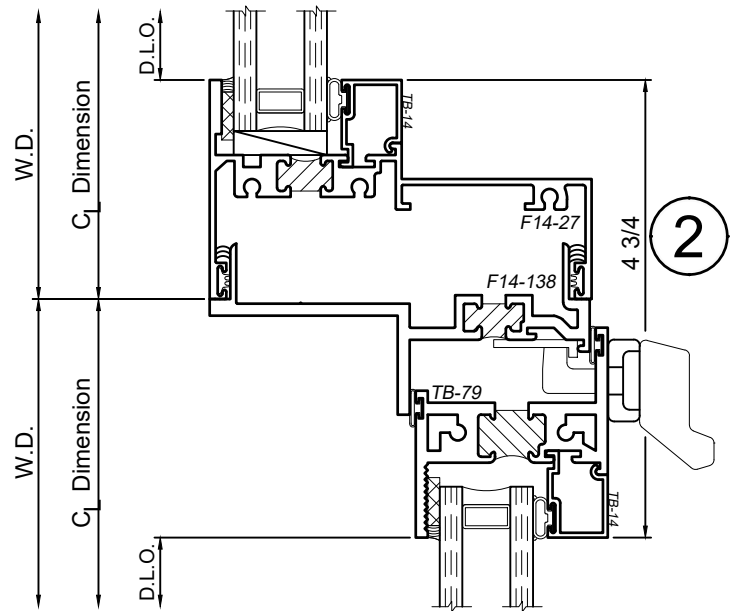


Note: Multiple configurations of this window system are available. Refer to the WINCO website for additional options or contact your local WINCO Sales Representative for information.

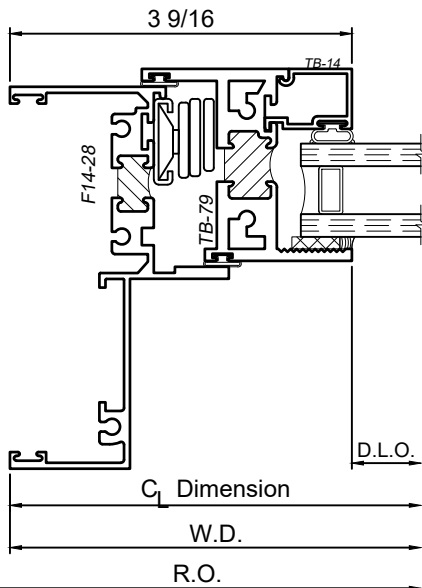
WINCO RESERVES THE RIGHT TO MODIFY OR CHANGE INFORMATION WITHIN THIS BOOK WHEN DEEMED NECESSARY FOR PRODUCT IMPROVEMENT



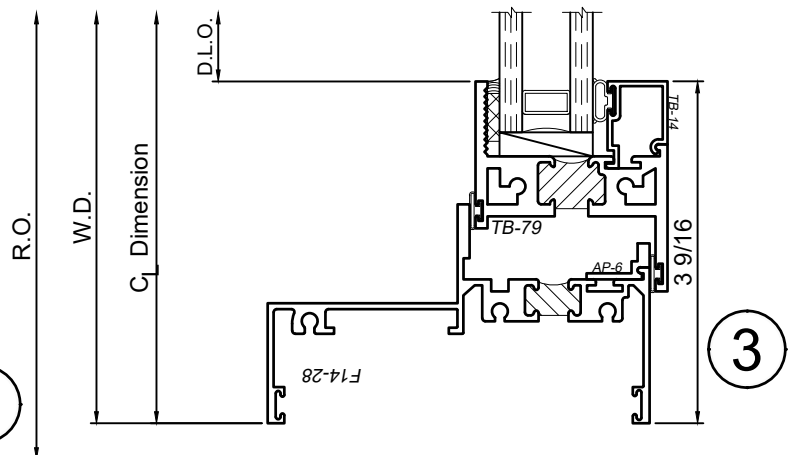
4



2



5



3

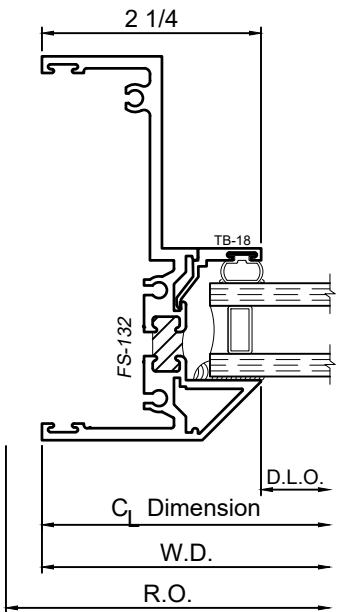
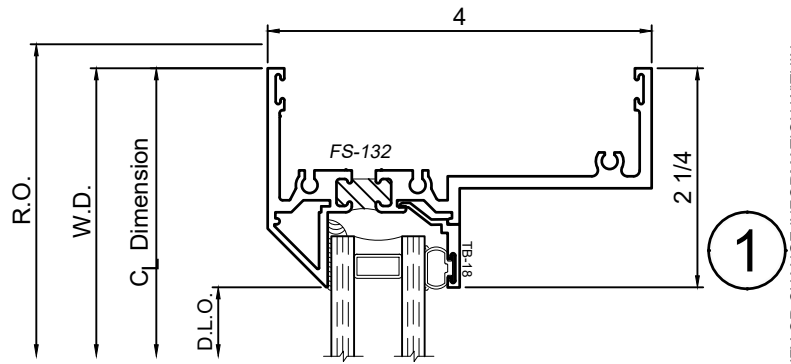
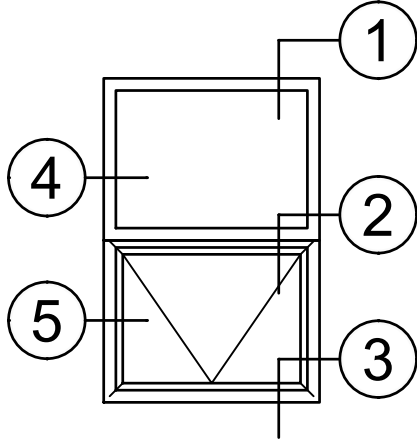
SCALE 6"=1'-0"

4" Thermal Hung Replica and Slider Replica Windows

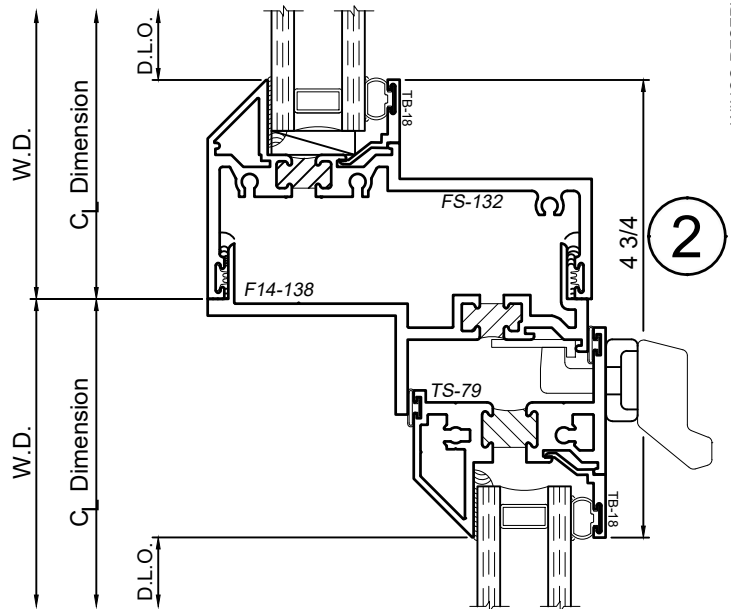
Product Details - Fixed over PI [HR-12]



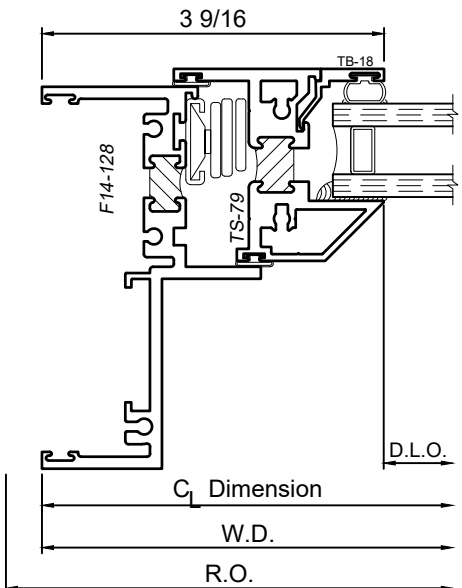
Note: Multiple configurations of this window system are available. Refer to the WINCO website for additional options or contact your local WINCO Sales Representative for information.



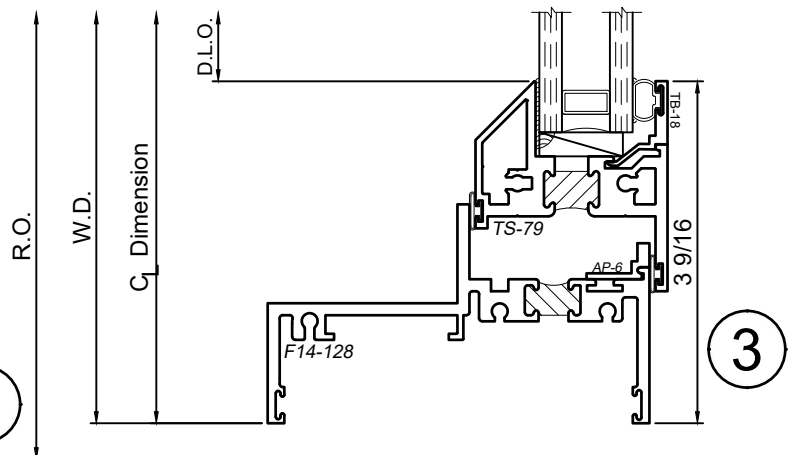
4



2



5



3

WINCO RESERVES THE RIGHT TO MODIFY OR CHANGE INFORMATION WITHIN THIS BOOK WHEN DEEMED NECESSARY FOR PRODUCT IMPROVEMENT

© WINCO WINDOW COMPANY, INC. 2021

SCALE 6"=1'-0"

4" Thermal Hung Replica and Slider Replica Windows

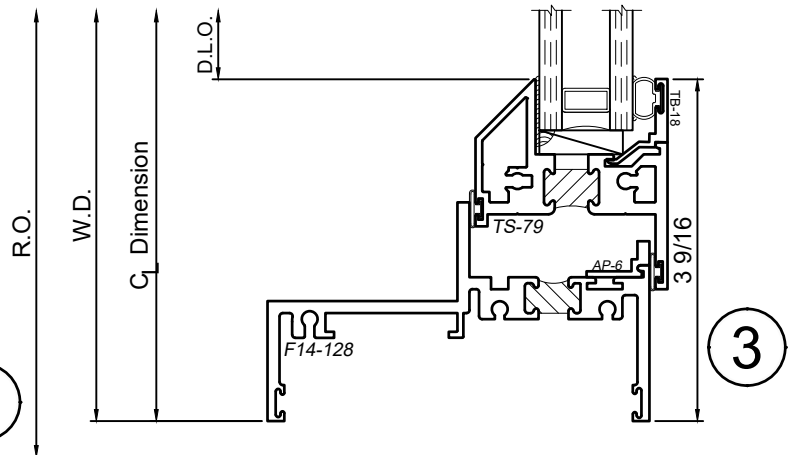
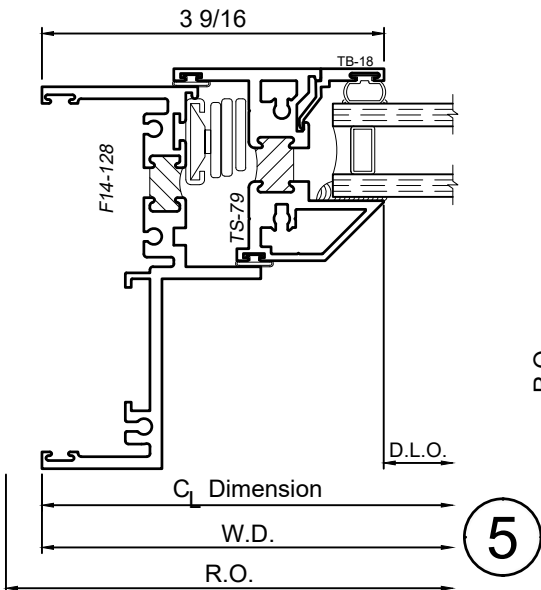
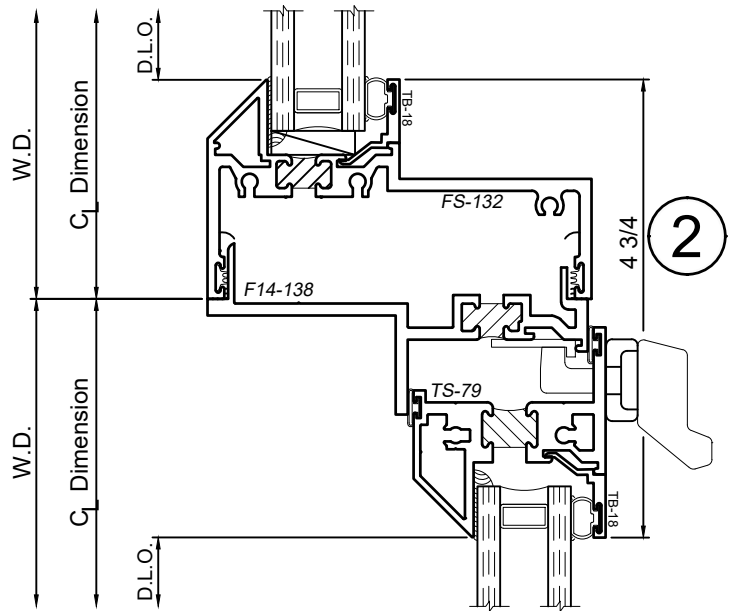
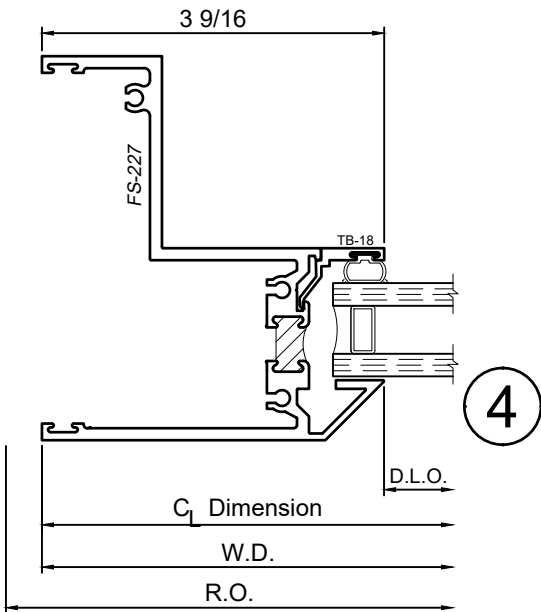
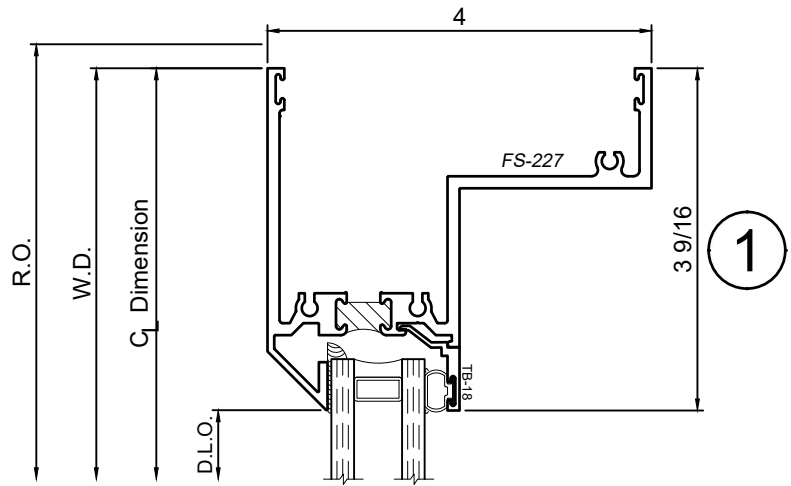
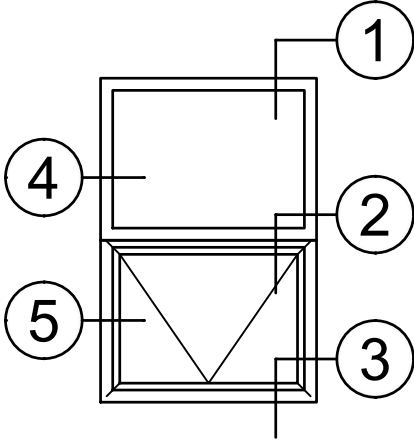
Product Details - Fixed over PI [HR-13]



Note: Multiple configurations of this window system are available. Refer to the WINCO website for additional options or contact your local WINCO Sales Representative for information.

WINCO RESERVES THE RIGHT TO MODIFY OR CHANGE INFORMATION WITHIN THIS BOOK WHEN DEEMED NECESSARY FOR PRODUCT IMPROVEMENT

© WINCO WINDOW COMPANY, INC. 2021



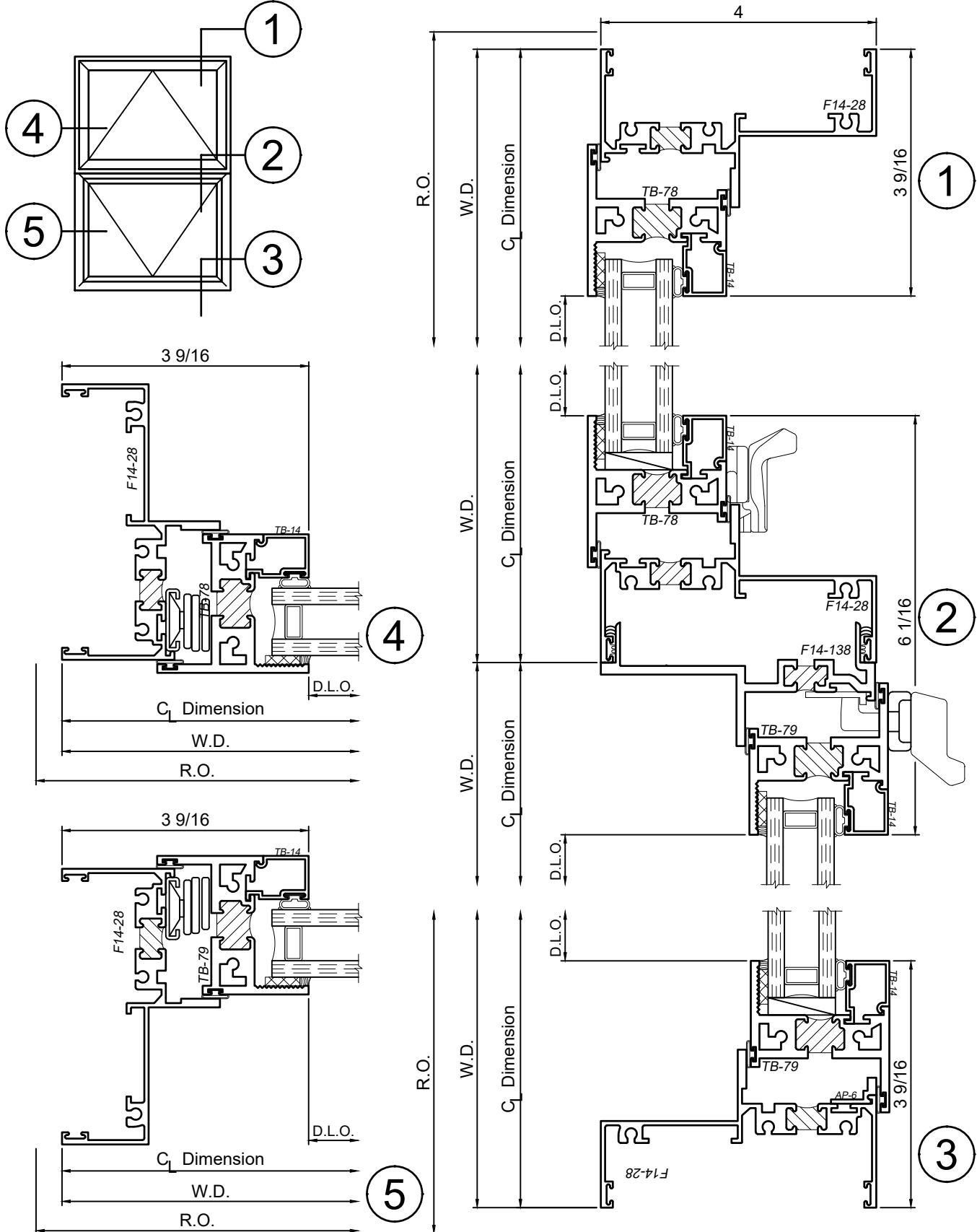
SCALE 6"=1'-0"

4" Thermal Hung Replica and Slider Replica Windows

Product Details - PO over PI [HR-14]



Note: Multiple configurations of this window system are available. Refer to the WINCO website for additional options or contact your local WINCO Sales Representative for information.



WINCO RESERVES THE RIGHT TO MODIFY OR CHANGE INFORMATION WITHIN THIS BOOK WHEN DEEMED NECESSARY FOR PRODUCT IMPROVEMENT

© WINCO WINDOW COMPANY, INC. 2021

SCALE 6"=1'-0"

4" Thermal Hung Replica and Slider Replica Windows

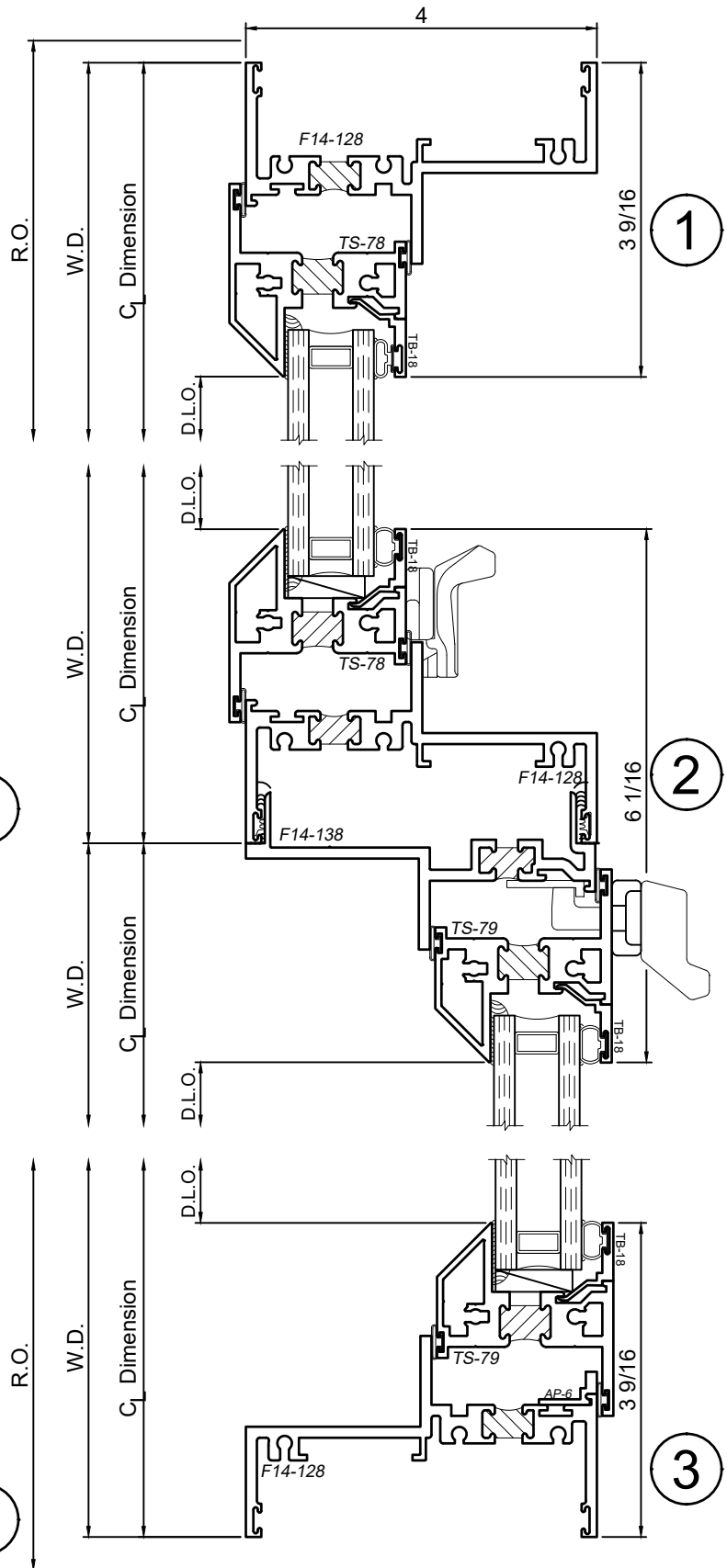
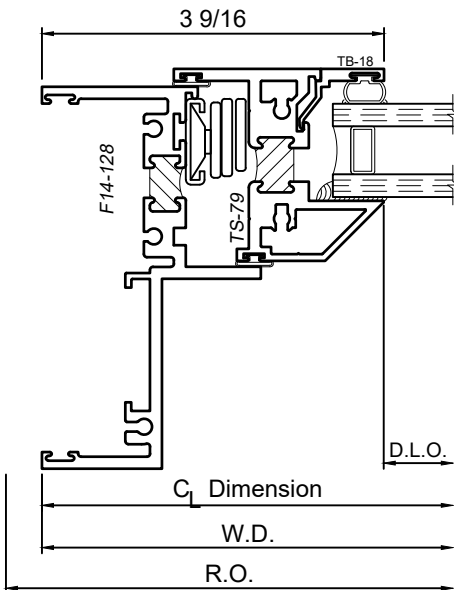
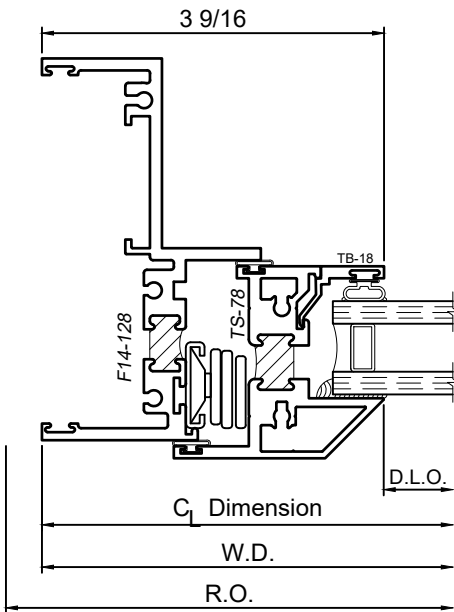
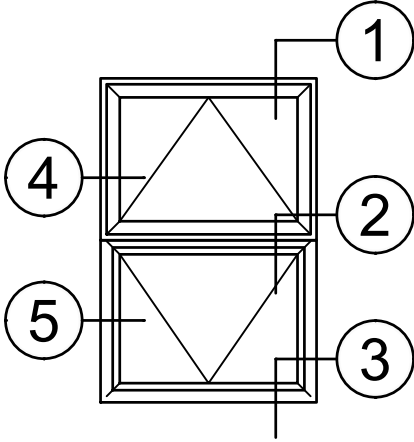
Product Details - PO over PI [HR-15]



Note: Multiple configurations of this window system are available. Refer to the WINCO website for additional options or contact your local WINCO Sales Representative for information.

WINCO RESERVES THE RIGHT TO MODIFY OR CHANGE INFORMATION WITHIN THIS BOOK WHEN DEEMED NECESSARY FOR PRODUCT IMPROVEMENT

© WINCO WINDOW COMPANY, INC. 2021



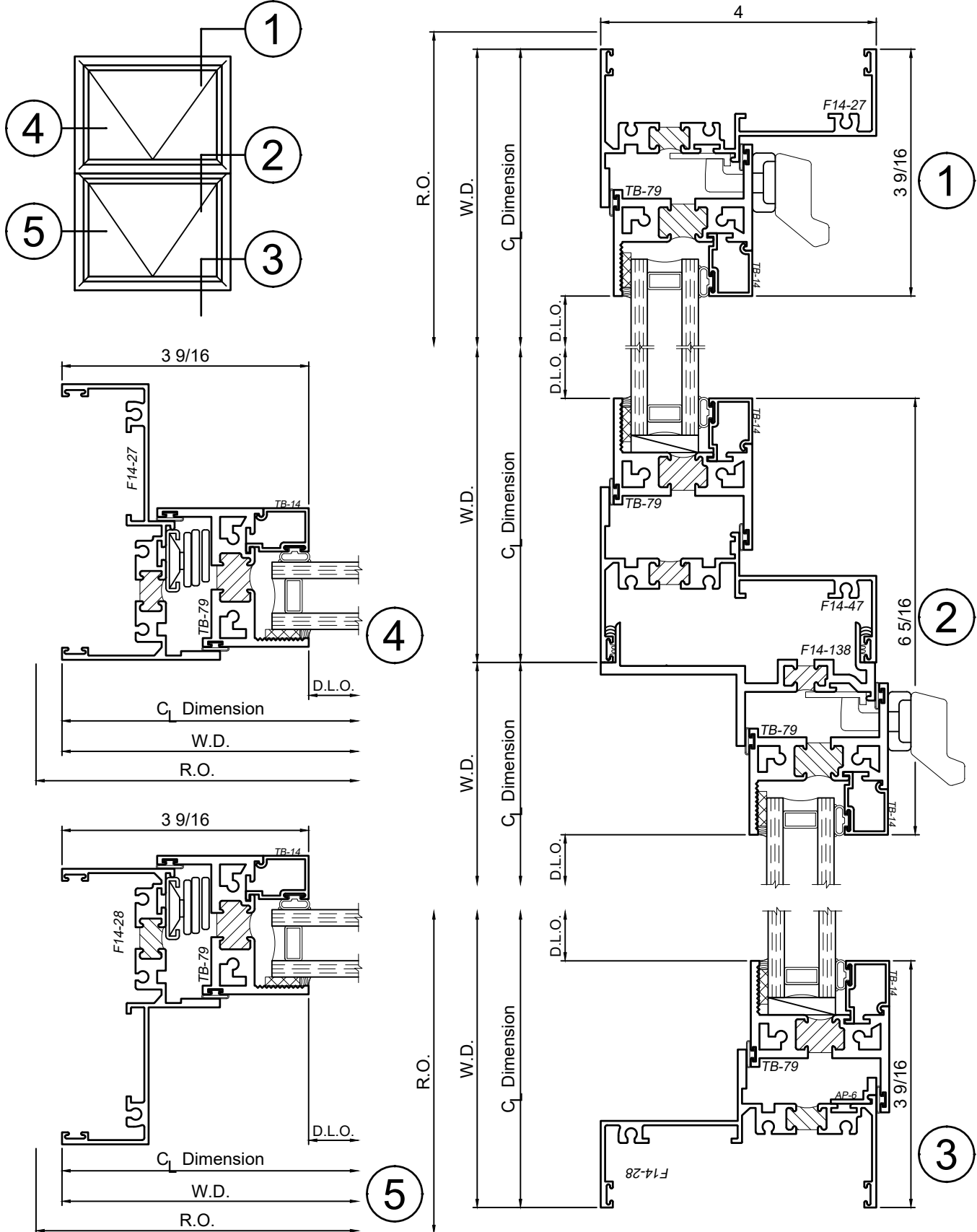
SCALE 6"=1'-0"

4" Thermal Hung Replica and Slider Replica Windows

Product Details - PI over PI [HR-16]



Note: Multiple configurations of this window system are available. Refer to the WINCO website for additional options or contact your local WINCO Sales Representative for information.



WINCO RESERVES THE RIGHT TO MODIFY OR CHANGE INFORMATION WITHIN THIS BOOK WHEN DEEMED NECESSARY FOR PRODUCT IMPROVEMENT

© WINCO WINDOW COMPANY, INC. 2021

SCALE 6"=1'-0"

4" Thermal Hung Replica and Slider Replica Windows

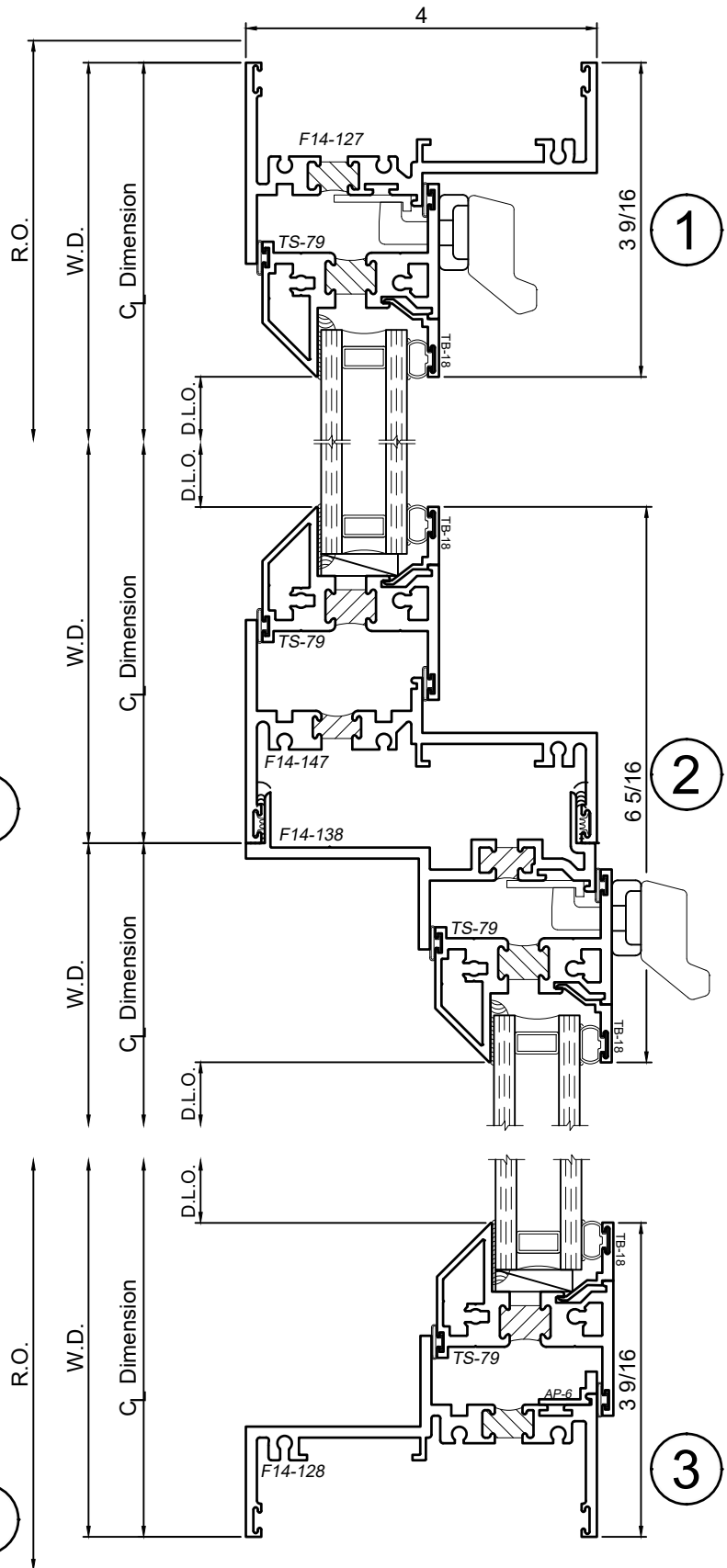
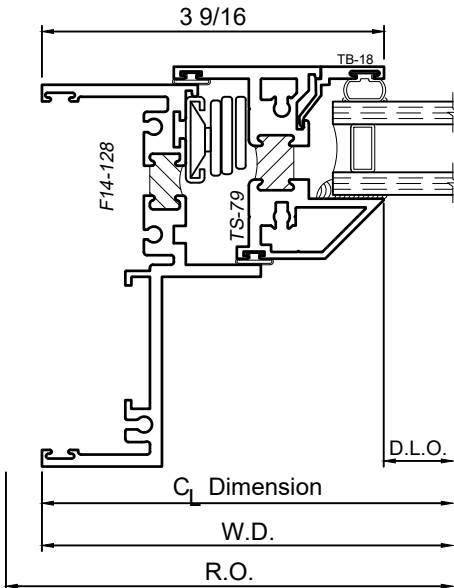
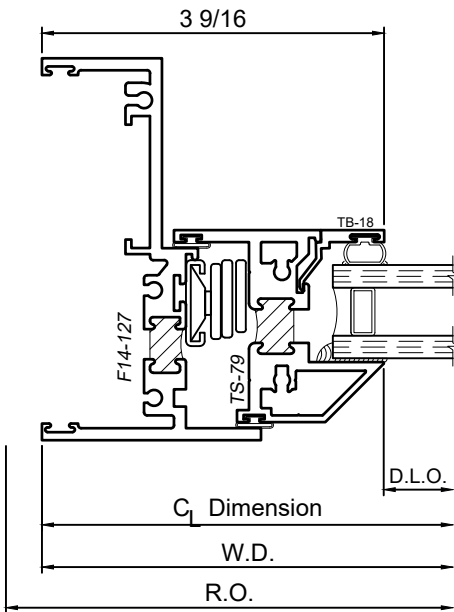
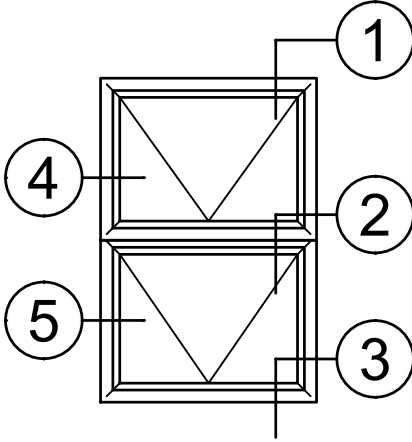
Product Details - PI over PI [HR-17]



Note: Multiple configurations of this window system are available. Refer to the WINCO website for additional options or contact your local WINCO Sales Representative for information.

WINCO RESERVES THE RIGHT TO MODIFY OR CHANGE INFORMATION WITHIN THIS BOOK WHEN DEEMED NECESSARY FOR PRODUCT IMPROVEMENT

© WINCO WINDOW COMPANY, INC. 2021



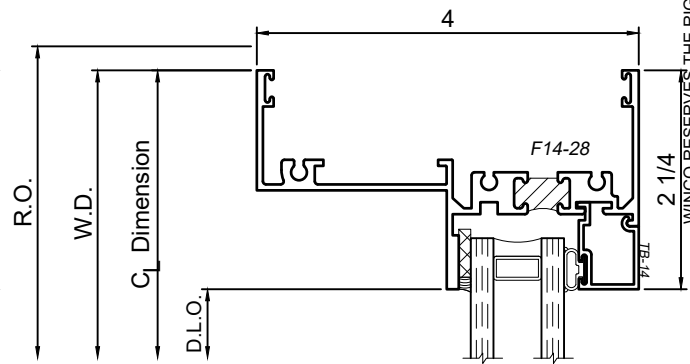
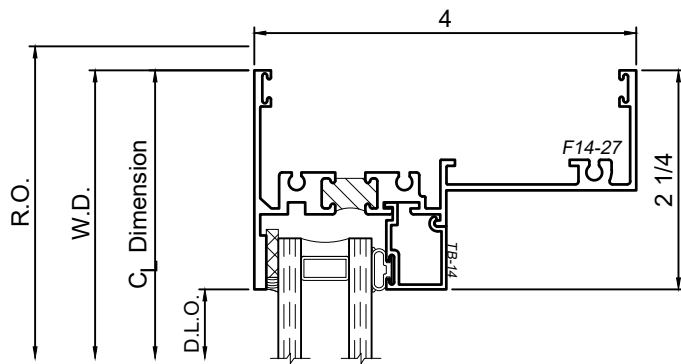
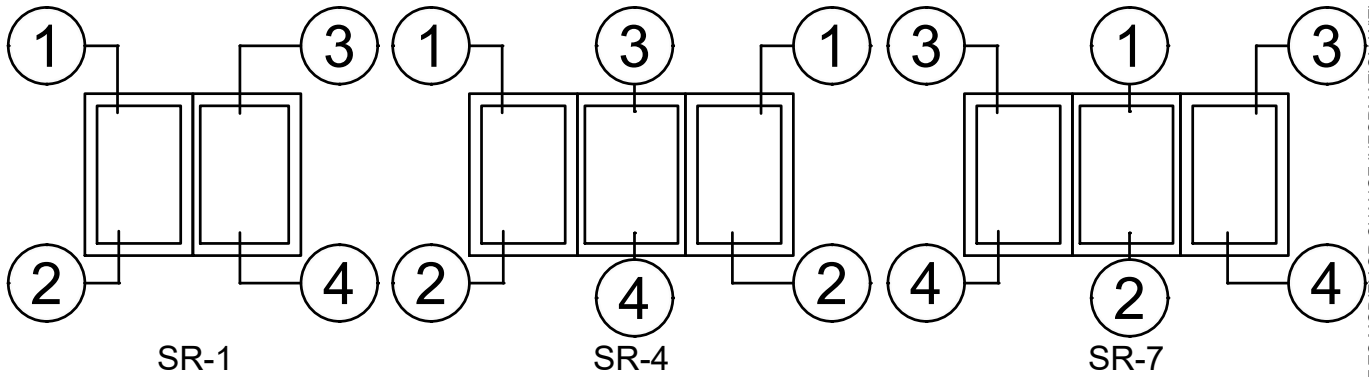
SCALE 6"=1'-0"

4" Thermal Hung Replica and Slider Replica Windows

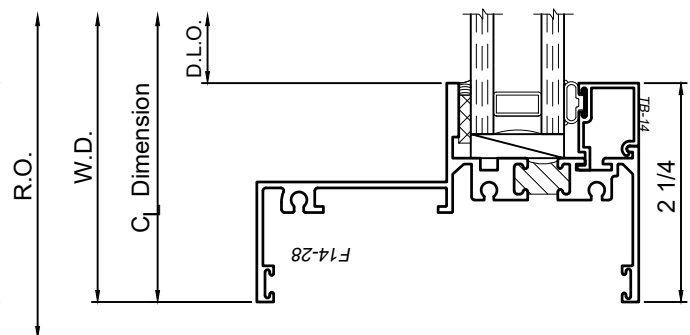
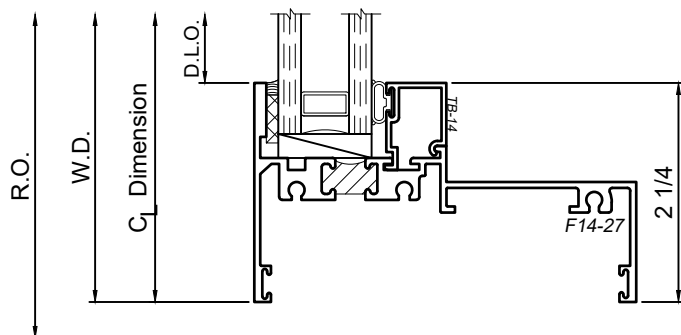
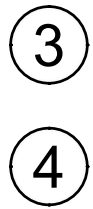
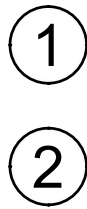
Product Details - Simulated Slider Head & Sill Details [SR-1,4 & 7]



Note: Multiple configurations of this window system are available. Refer to the WINCO website for additional options or contact your local WINCO Sales Representative for information.



WINCO RESERVES THE RIGHT TO MODIFY OR CHANGE INFORMATION WITHIN THIS BOOK WHEN DEEMED NECESSARY FOR PRODUCT IMPROVEMENT



© WINCO WINDOW COMPANY, INC. 2021

SCALE 6"=1'-0"

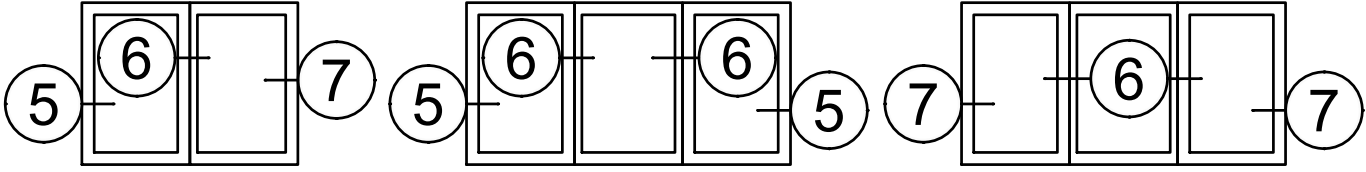
4" Thermal Hung Replica and Slider Replica Windows

Product Details - Simulated Slider Jamb Details [SR-1,4 & 7]



Note: Multiple configurations of this window system are available. Refer to the WINCO website for additional options or contact your local WINCO Sales Representative for information.

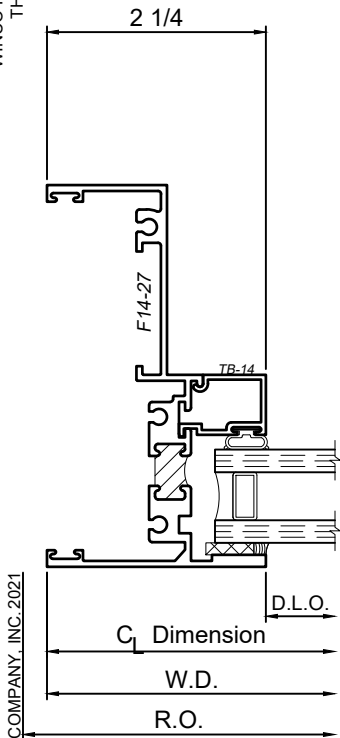
WINCO RESERVES THE RIGHT TO MODIFY OR CHANGE INFORMATION WITHIN THIS BOOK WHEN DEEMED NECESSARY FOR PRODUCT IMPROVEMENT



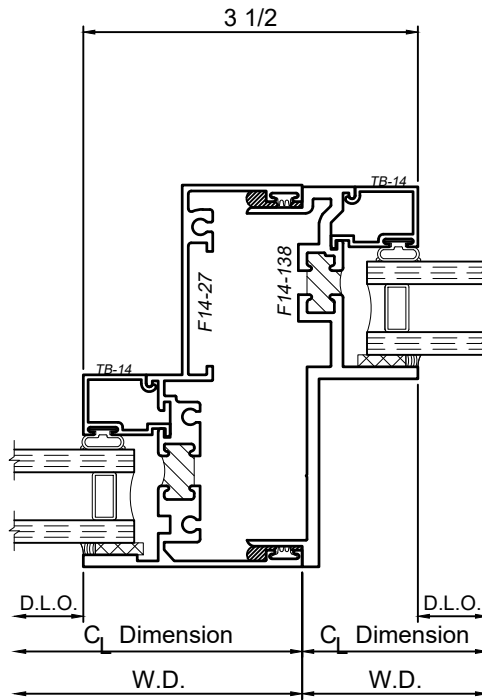
SR-1

SR-4

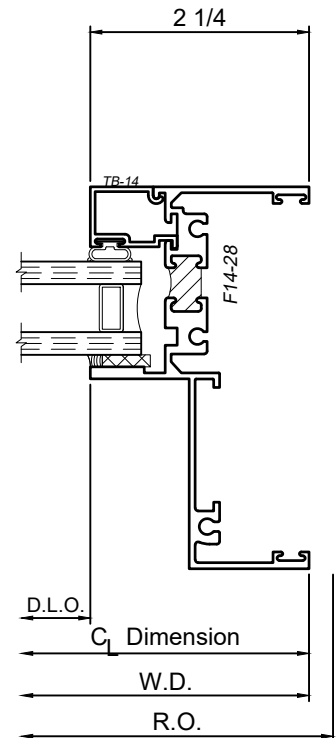
SR-7



5



6



7

© WINCO WINDOW COMPANY, INC. 2021

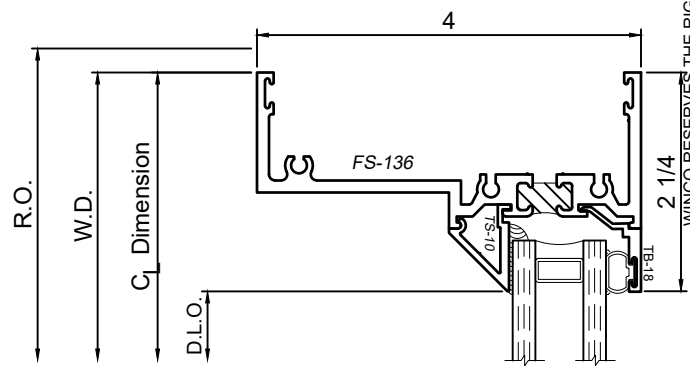
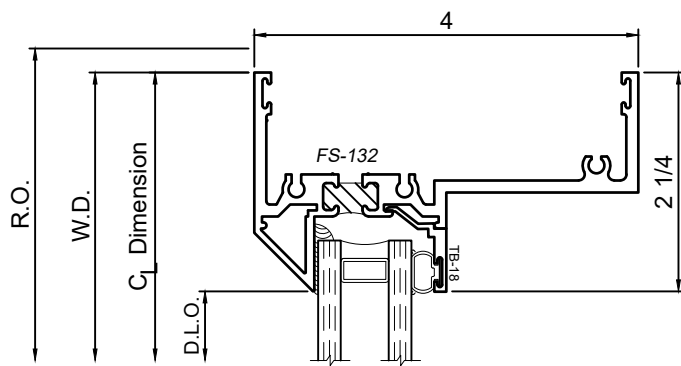
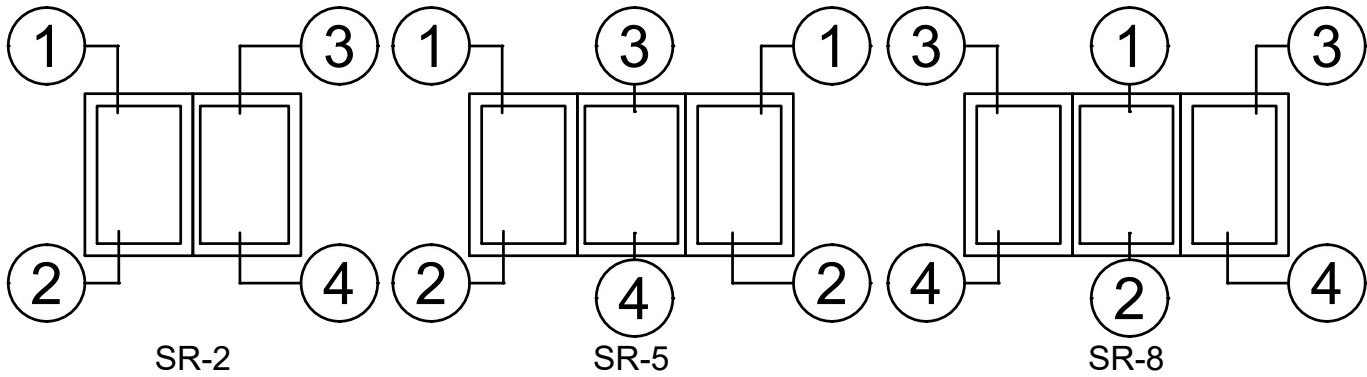
SCALE 6"=1'-0"

4" Thermal Hung Replica and Slider Replica Windows

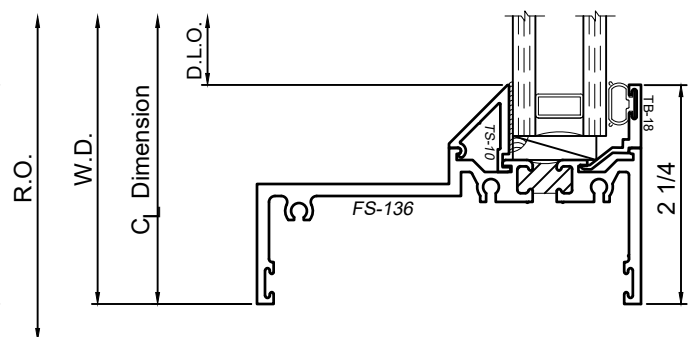
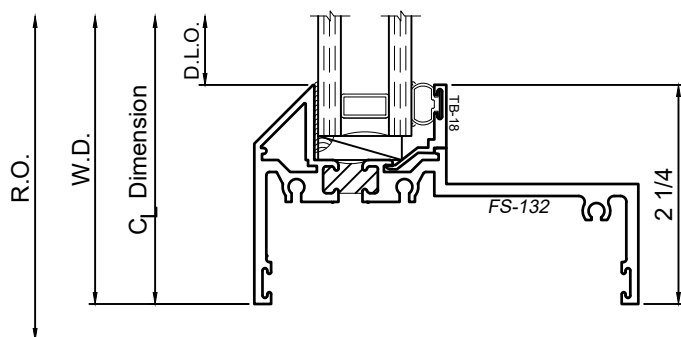
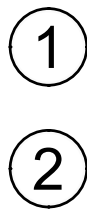
Product Details - Simulated Slider Head & Sill Details [SR-2,5 & 8]



Note: Multiple configurations of this window system are available. Refer to the WINCO website for additional options or contact your local WINCO Sales Representative for information.



WINCO RESERVES THE RIGHT TO MODIFY OR CHANGE INFORMATION WITHIN THIS BOOK WHEN DEEMED NECESSARY FOR PRODUCT IMPROVEMENT



© WINCO WINDOW COMPANY, INC. 2021

SCALE 6"=1'-0"

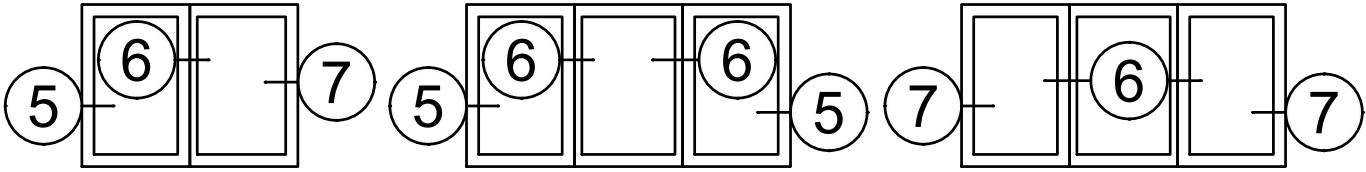
4" Thermal Hung Replica and Slider Replica Windows

Product Details - Simulated Slider Jamb Details [SR-2,5 & 8]



Note: Multiple configurations of this window system are available. Refer to the WINCO website for additional options or contact your local WINCO Sales Representative for information.

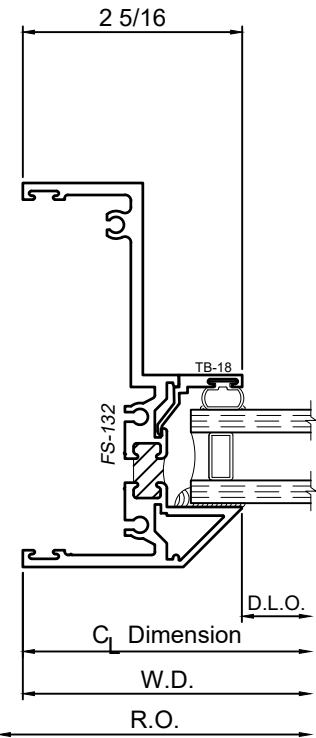
WINCO RESERVES THE RIGHT TO MODIFY OR CHANGE INFORMATION WITHIN THIS BOOK WHEN DEEMED NECESSARY FOR PRODUCT IMPROVEMENT



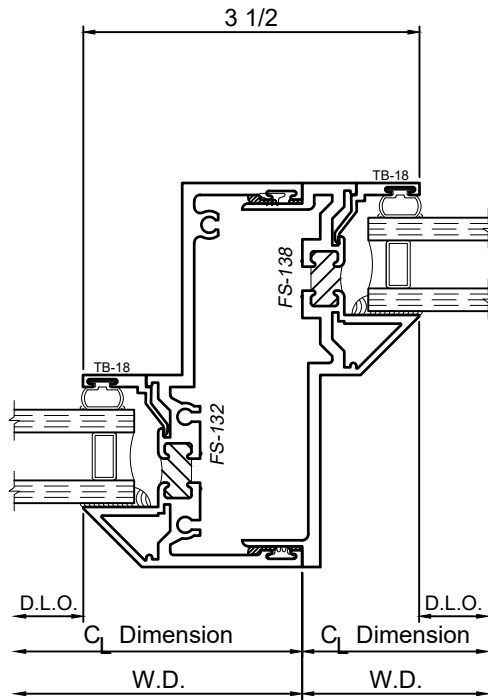
SR-2

SR-5

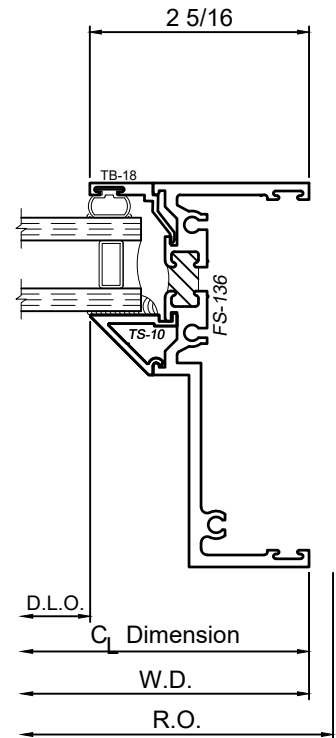
SR-8



5



6



7

© WINCO WINDOW COMPANY, INC. 2021

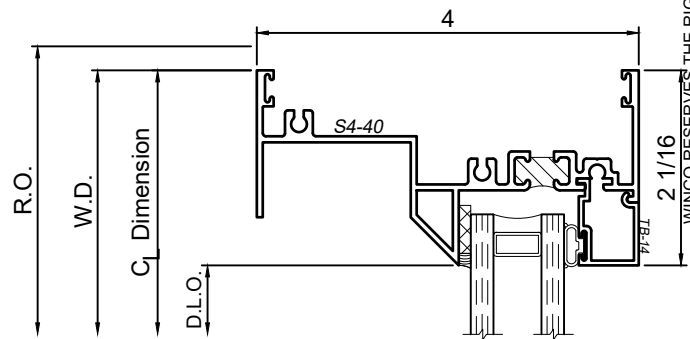
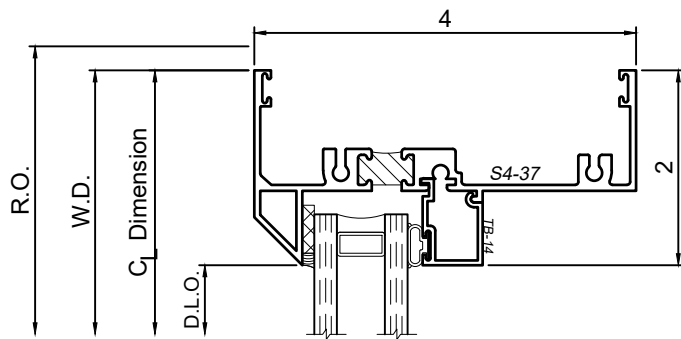
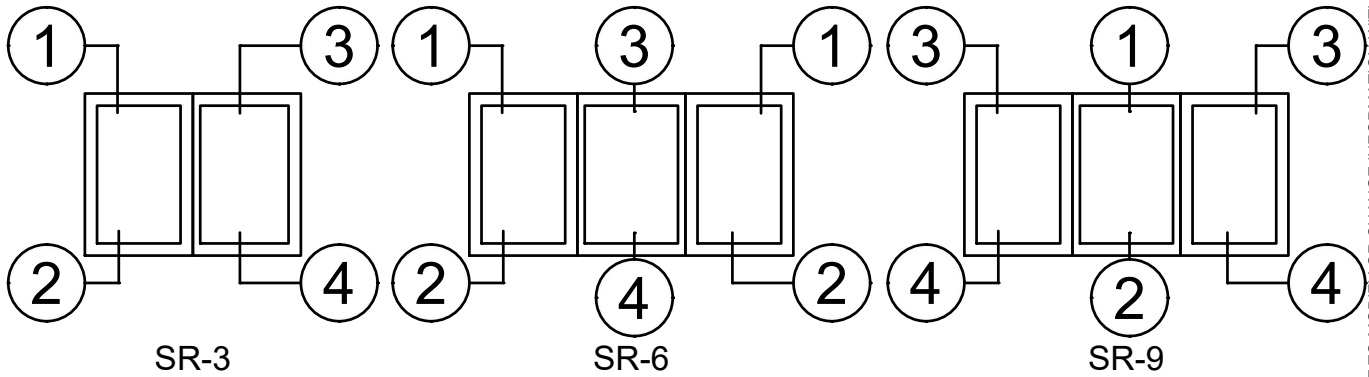
SCALE 6"=1'-0"

4" Thermal Hung Replica and Slider Replica Windows

Product Details - Simulated Slider Head & Sill Details [SR-3,6 & 9]



Note: Multiple configurations of this window system are available. Refer to the WINCO website for additional options or contact your local WINCO Sales Representative for information.



1

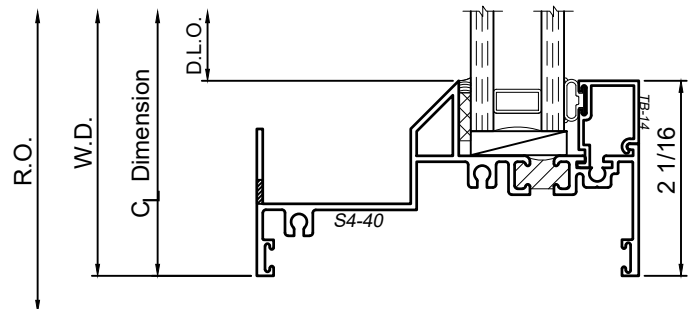
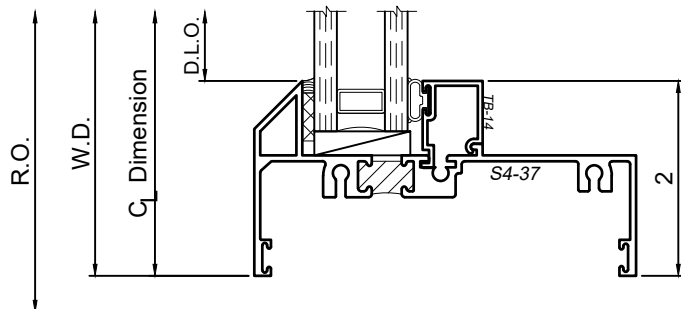
Grand Park Center
Fixed I.G. only
1" I.G. w/ TB-14 Bead
All Grid Option

3

2

Not compatible
w/ RS-xx, F14-xx, FS-xx, TS-xx
or Blind Access Sash

4



SCALE 6"=1'-0"

WINCO RESERVES THE RIGHT TO MODIFY OR CHANGE INFORMATION WITHIN THIS BOOK WHEN DEEMED NECESSARY FOR PRODUCT IMPROVEMENT

© WINCO WINDOW COMPANY, INC. 2021

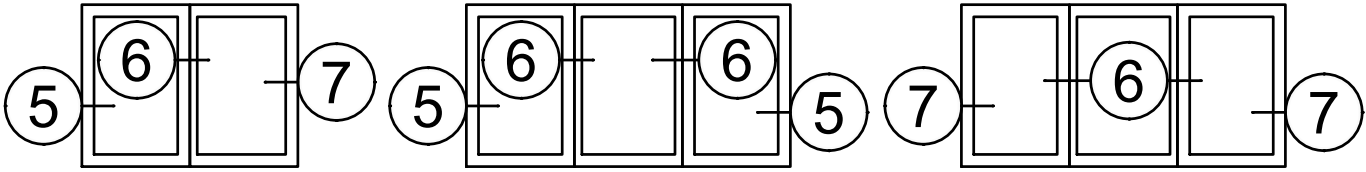
4" Thermal Hung Replica and Slider Replica Windows

Product Details - Simulated Slider Jamb Details [SR-3,6 & 9]



Note: Multiple configurations of this window system are available. Refer to the WINCO website for additional options or contact your local WINCO Sales Representative for information.

WINCO RESERVES THE RIGHT TO MODIFY OR CHANGE INFORMATION WITHIN THIS BOOK WHEN DEEMED NECESSARY FOR PRODUCT IMPROVEMENT



SR-3

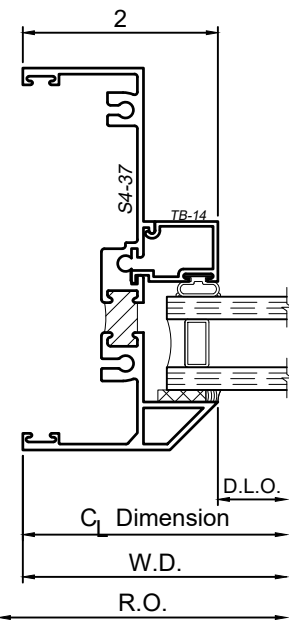
SR-6

SR-9

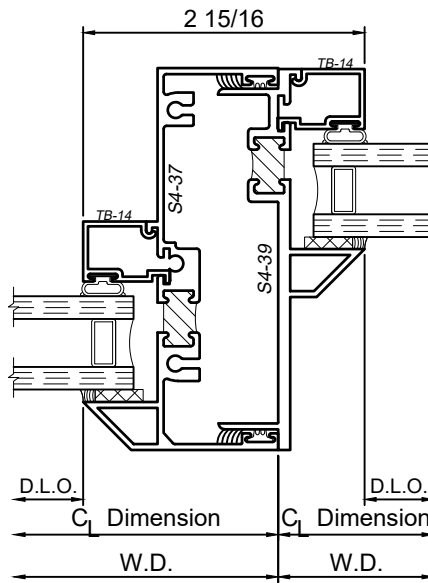
Grand Park Center
 Fixed I.G. only
 1" I.G. w/ TB-14 Bead
 All Grid Option

Not compatible
 w/ RS-xx, F14-xx, FS-xx, TS-xx
 or Blind Access Sash

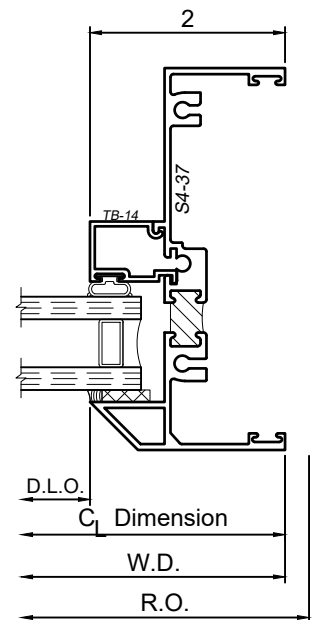
© WINCO WINDOW COMPANY, INC. 2021



5



6



7

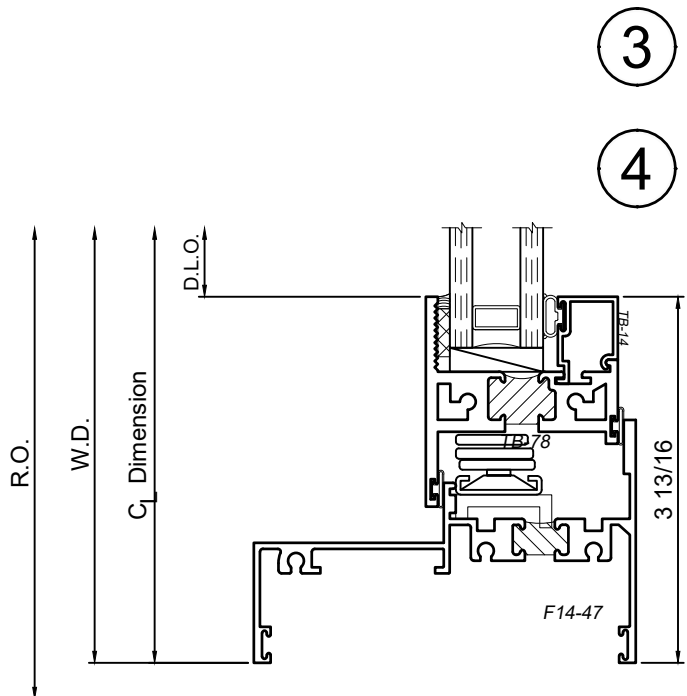
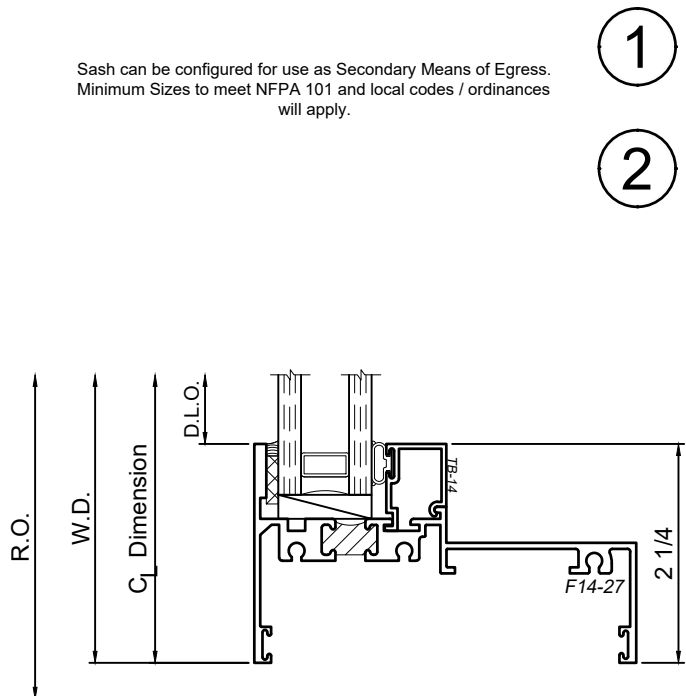
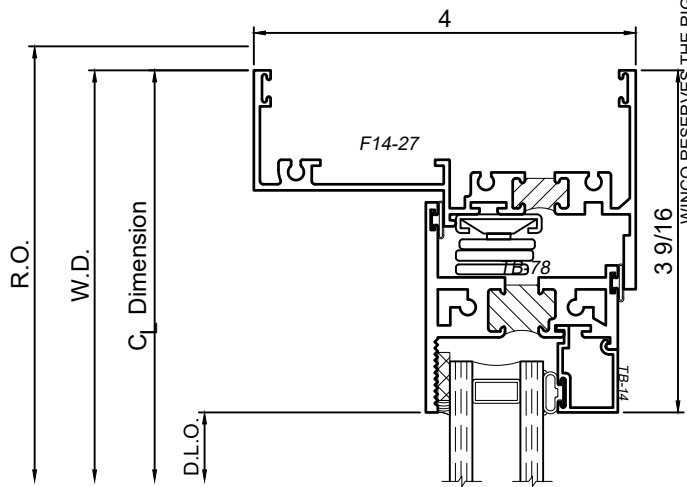
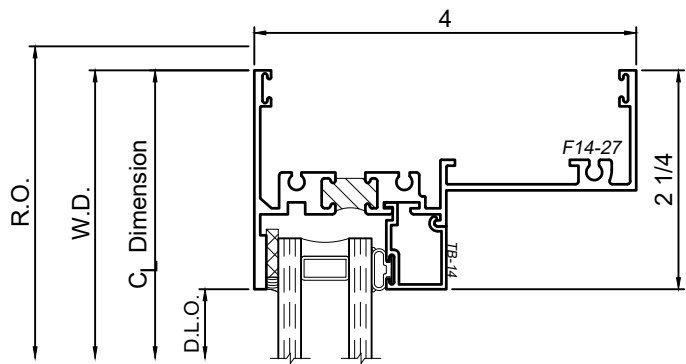
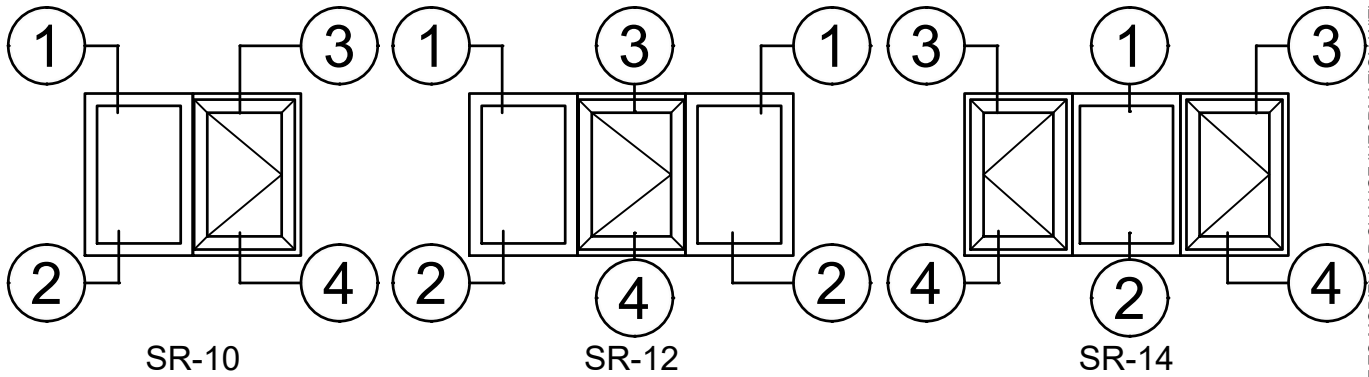
SCALE 6"=1'-0"

4" Thermal Hung Replica and Slider Replica Windows

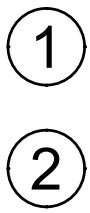
Product Details - Simulated Slider Head & Sill Details [SR-10,12 & 14]



Note: Multiple configurations of this window system are available. Refer to the WINCO website for additional options or contact your local WINCO Sales Representative for information.



Sash can be configured for use as Secondary Means of Egress.
Minimum Sizes to meet NFPA 101 and local codes / ordinances
will apply.



WINCO RESERVES THE RIGHT TO MODIFY OR CHANGE INFORMATION WITHIN THIS BOOK WHEN DEEMED NECESSARY FOR PRODUCT IMPROVEMENT

© WINCO WINDOW COMPANY, INC. 2021

SCALE 6"=1'-0"

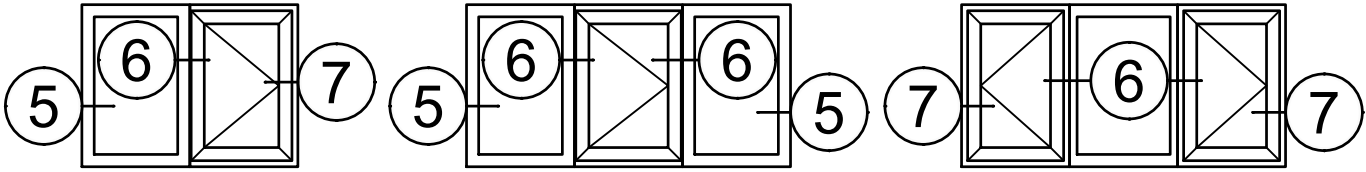
4" Thermal Hung Replica and Slider Replica Windows

Product Details - Simulated Slider Jamb Details [SR-10,12 & 14]



Note: Multiple configurations of this window system are available. Refer to the WINCO website for additional options or contact your local WINCO Sales Representative for information.

WINCO RESERVES THE RIGHT TO MODIFY OR CHANGE INFORMATION WITHIN THIS BOOK WHEN DEEMED NECESSARY FOR PRODUCT IMPROVEMENT

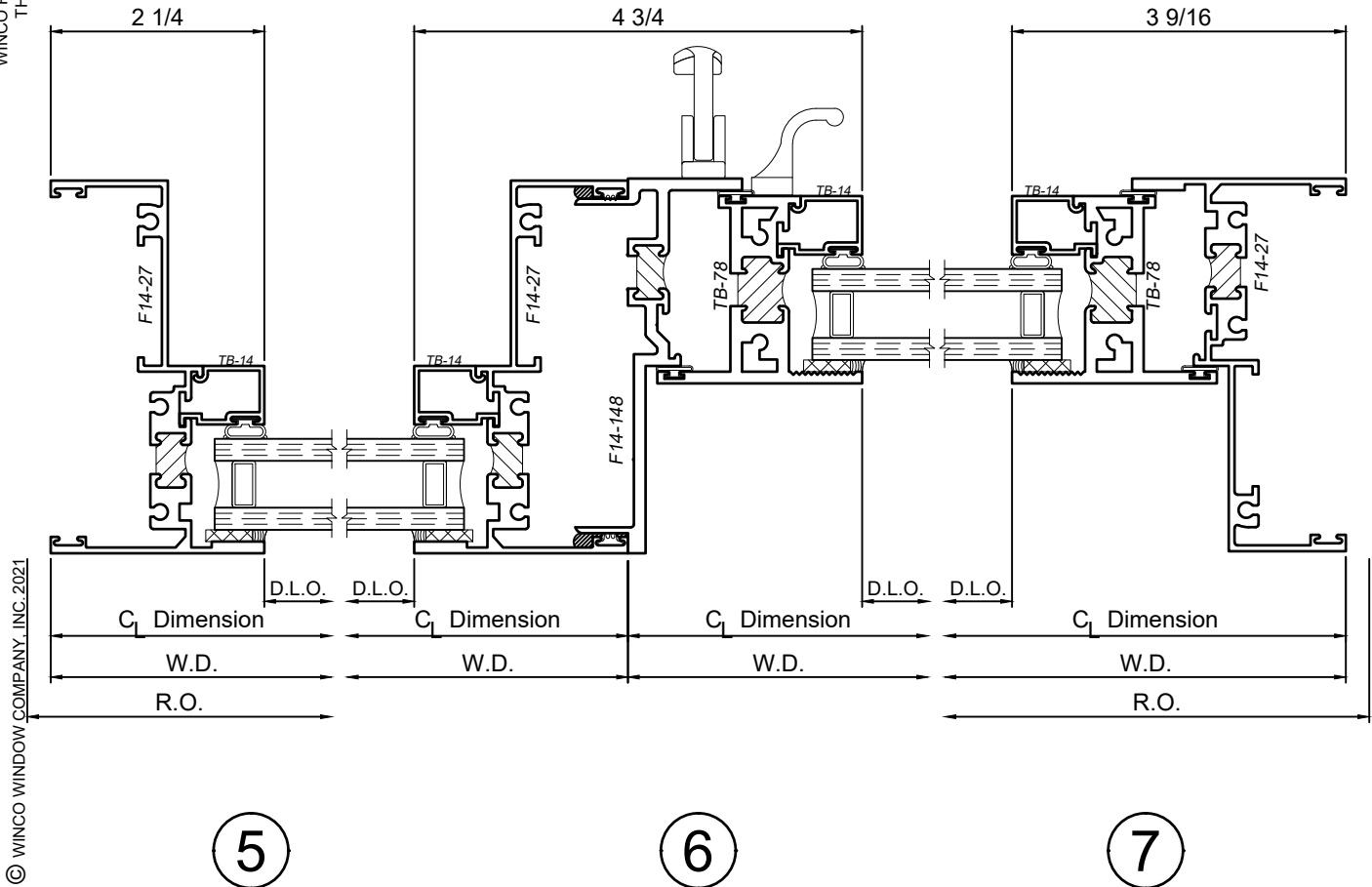


SR-10

SR-12

SR-14

Sash can be configured for use as Secondary Means of Egress.
Minimum Sizes to meet NFPA 101 and local codes / ordinances will apply.



© WINCO WINDOW COMPANY, INC. 2021

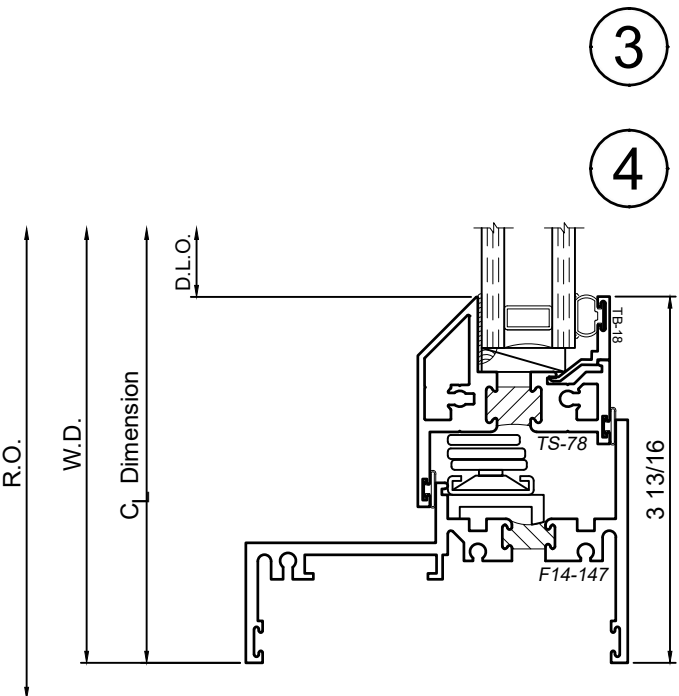
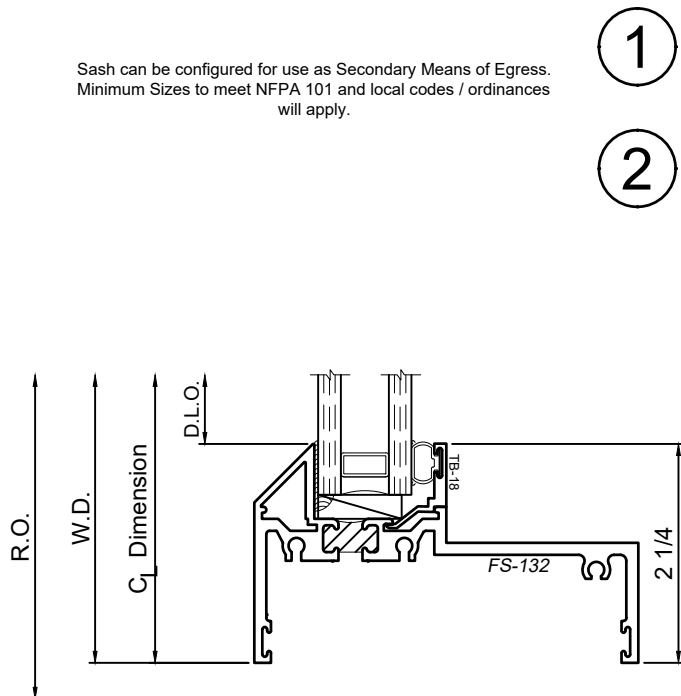
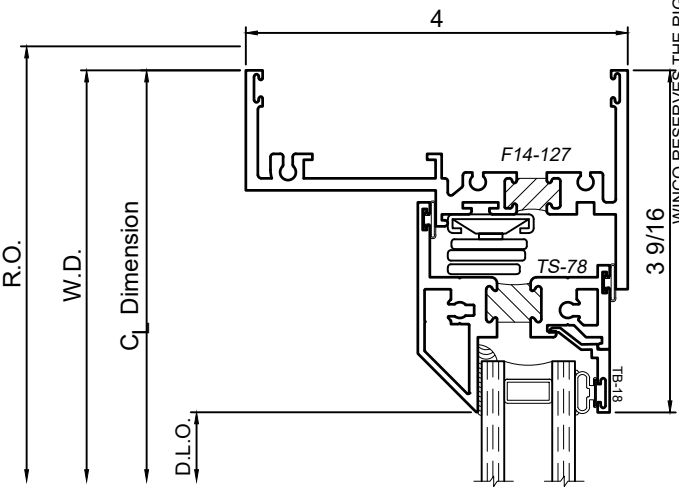
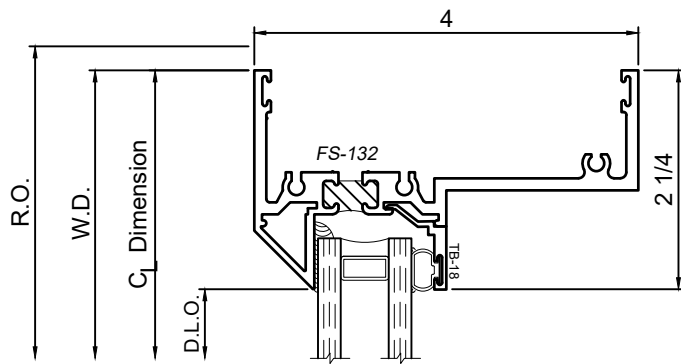
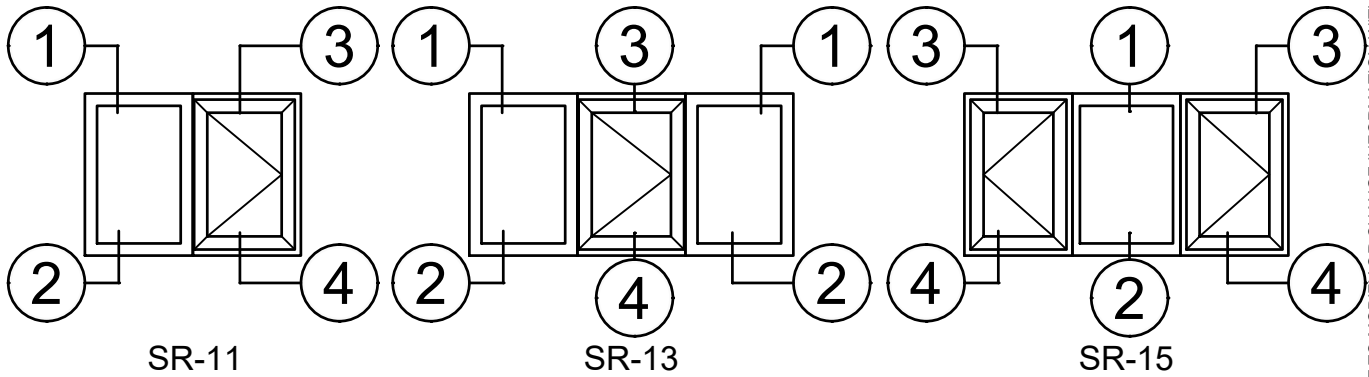
SCALE 6"=1'-0"

4" Thermal Hung Replica and Slider Replica Windows

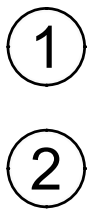
Product Details - Simulated Slider Head & Sill Details [SR-11,13 & 15]



Note: Multiple configurations of this window system are available. Refer to the WINCO website for additional options or contact your local WINCO Sales Representative for information.



Sash can be configured for use as Secondary Means of Egress.
Minimum Sizes to meet NFPA 101 and local codes / ordinances
will apply.



WINCO RESERVES THE RIGHT TO MODIFY OR CHANGE INFORMATION WITHIN THIS BOOK WHEN DEEMED NECESSARY FOR PRODUCT IMPROVEMENT

© WINCO WINDOW COMPANY, INC. 2021

SCALE 6"=1'-0"

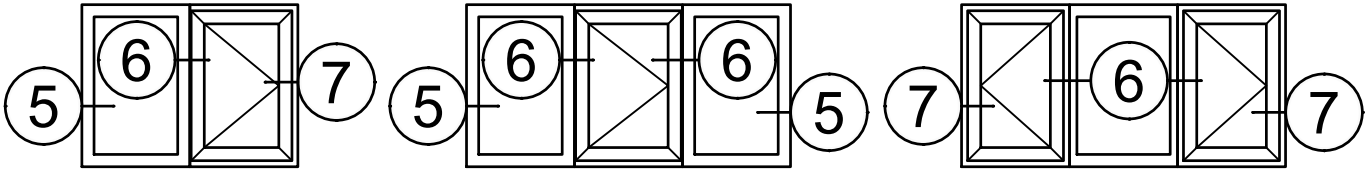
4" Thermal Hung Replica and Slider Replica Windows

Product Details - Simulated Slider Jamb Details [SR-11,13 & 15]



Note: Multiple configurations of this window system are available. Refer to the WINCO website for additional options or contact your local WINCO Sales Representative for information.

WINCO RESERVES THE RIGHT TO MODIFY OR CHANGE INFORMATION WITHIN THIS BOOK WHEN DEEMED NECESSARY FOR PRODUCT IMPROVEMENT

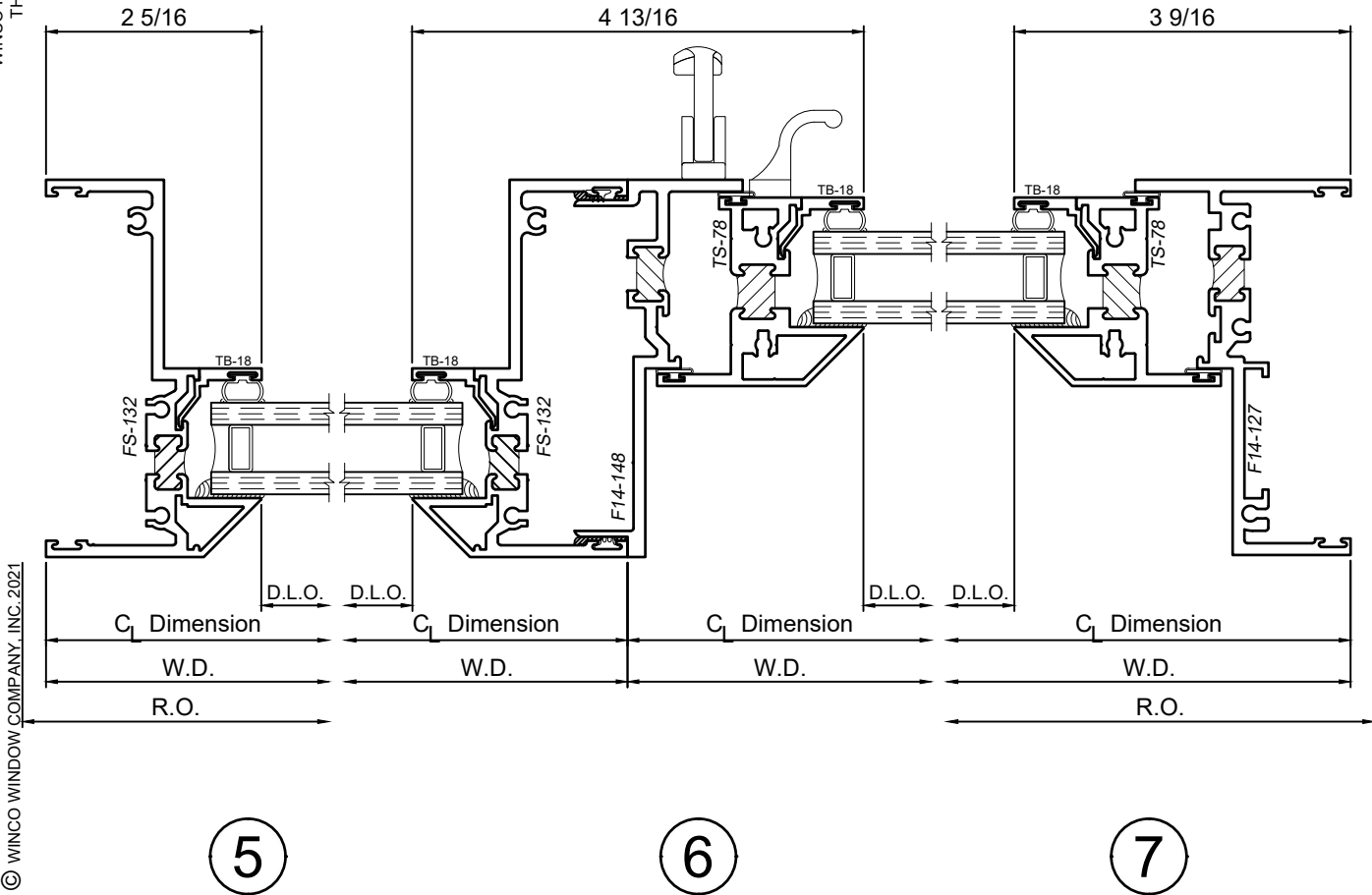


SR-11

SR-13

SR-15

Sash can be configured for use as Secondary Means of Egress.
Minimum Sizes to meet NFPA 101 and local codes / ordinances will apply.



© WINCO WINDOW COMPANY, INC. 2021

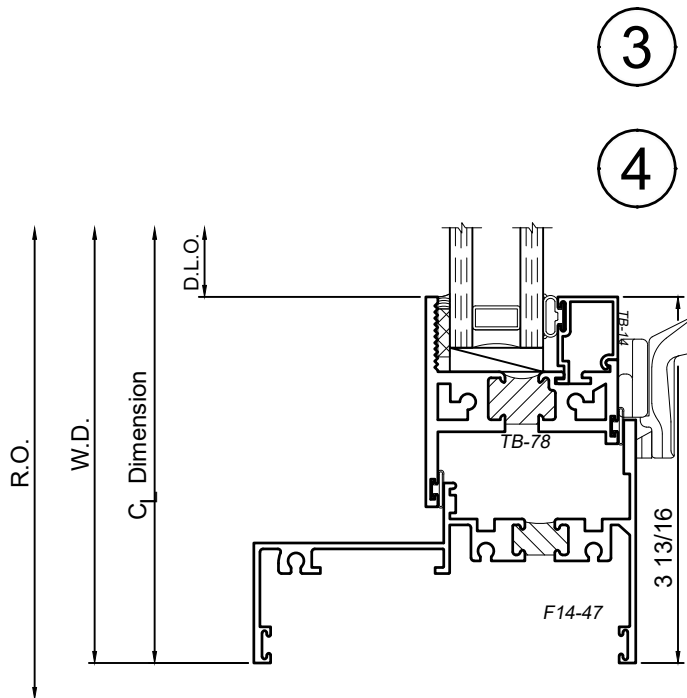
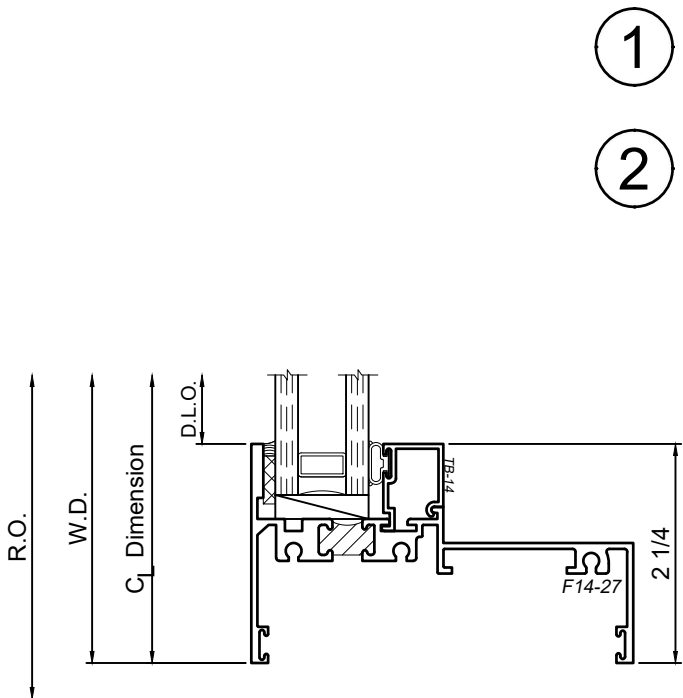
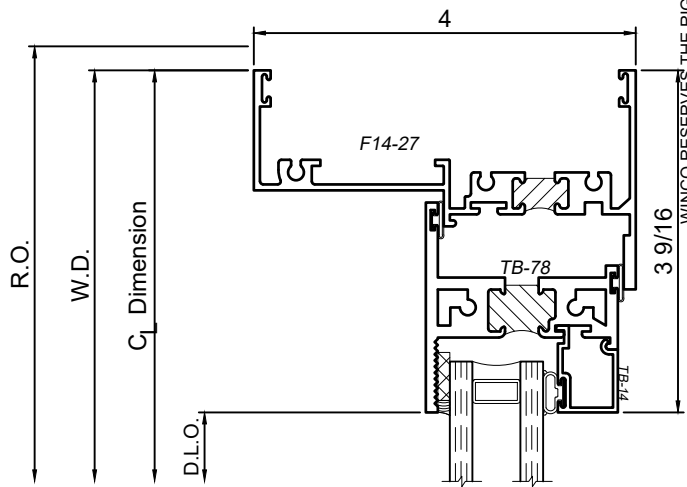
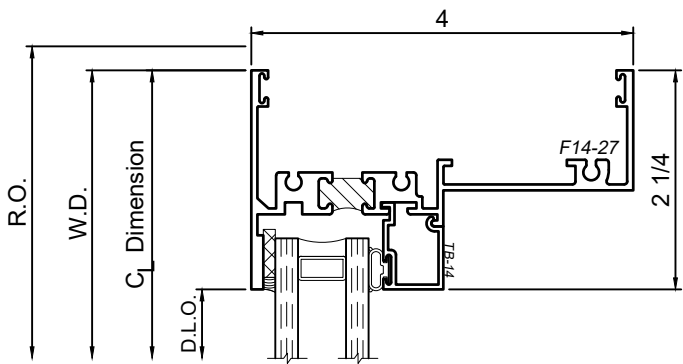
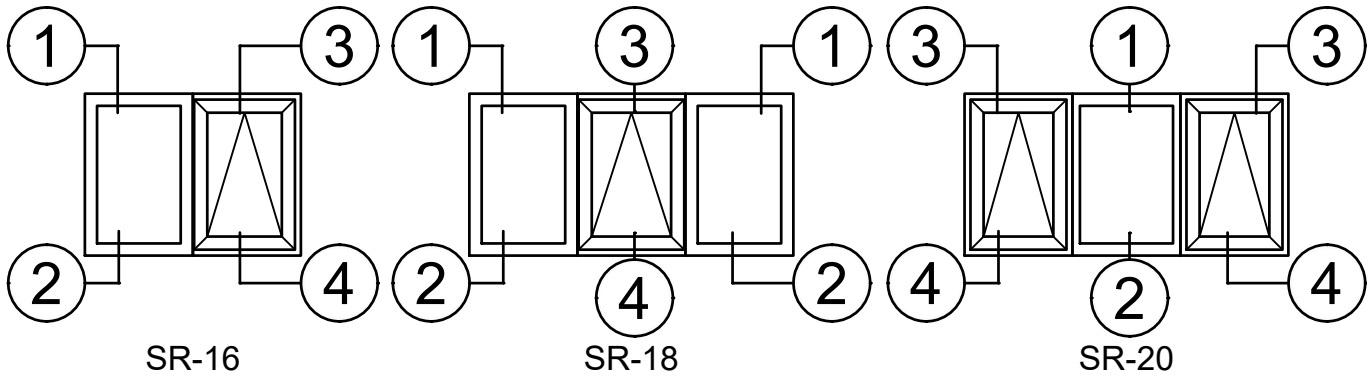
SCALE 6"=1'-0"

4" Thermal Hung Replica and Slider Replica Windows

Product Details - Simulated Slider Head & Sill Details [SR-16, 18 & 20]



Note: Multiple configurations of this window system are available. Refer to the WINCO website for additional options or contact your local WINCO Sales Representative for information.



WINCO RESERVES THE RIGHT TO MODIFY OR CHANGE INFORMATION WITHIN THIS BOOK WHEN DEEMED NECESSARY FOR PRODUCT IMPROVEMENT

© WINCO WINDOW COMPANY, INC. 2021

SCALE 6"=1'-0"

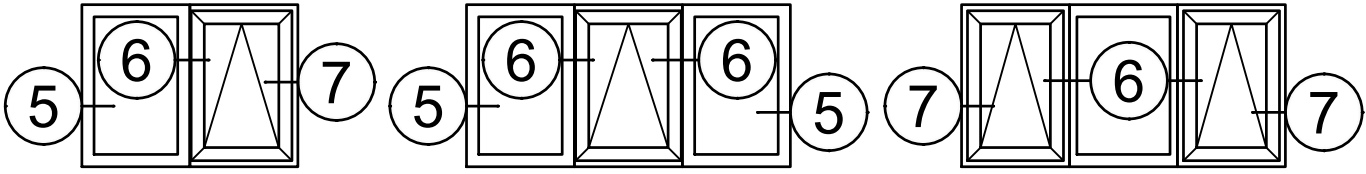
4" Thermal Hung Replica and Slider Replica Windows

Product Details - Simulated Slider Jamb Details [SR-16,18 & 20]



Note: Multiple configurations of this window system are available. Refer to the WINCO website for additional options or contact your local WINCO Sales Representative for information.

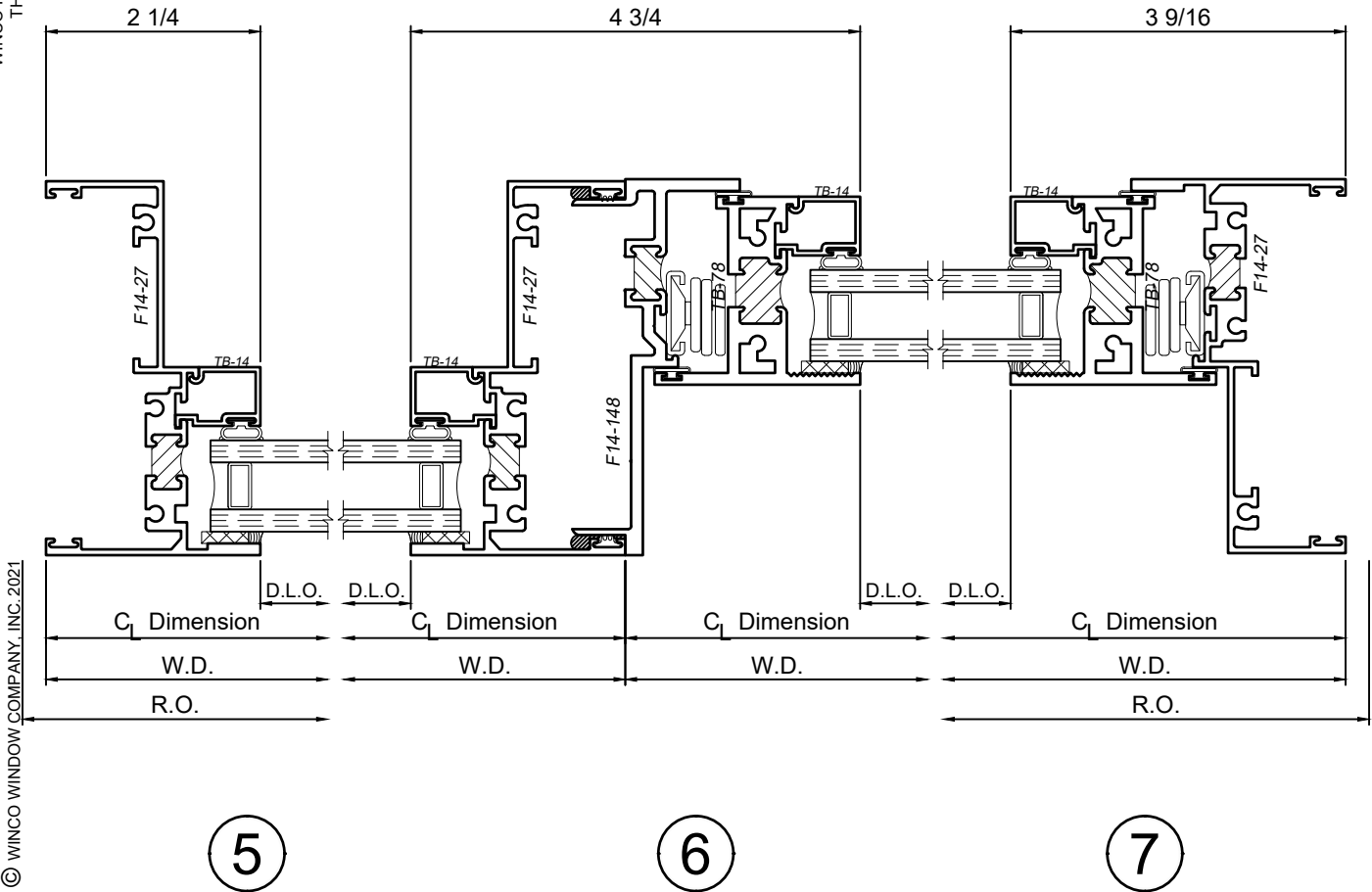
WINCO RESERVES THE RIGHT TO MODIFY OR CHANGE INFORMATION WITHIN THIS BOOK WHEN DEEMED NECESSARY FOR PRODUCT IMPROVEMENT



SR-16

SR-18

SR-20



© WINCO WINDOW COMPANY, INC. 2021

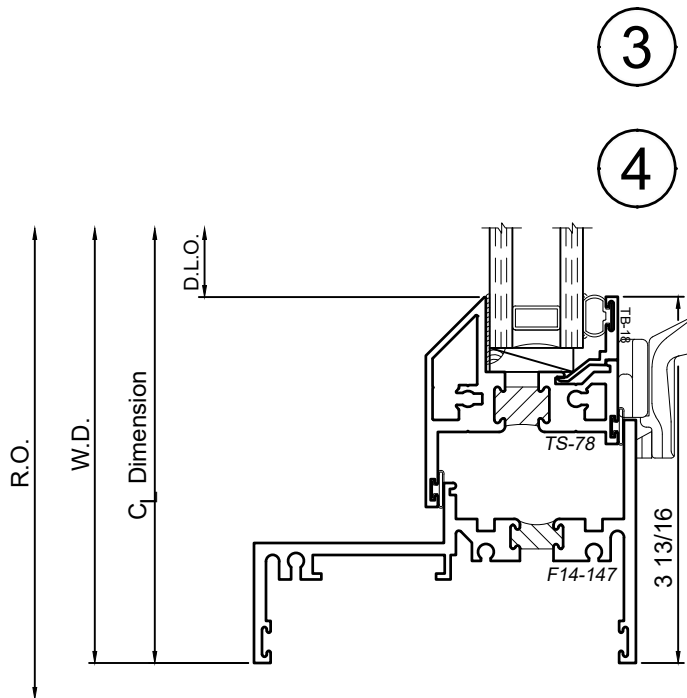
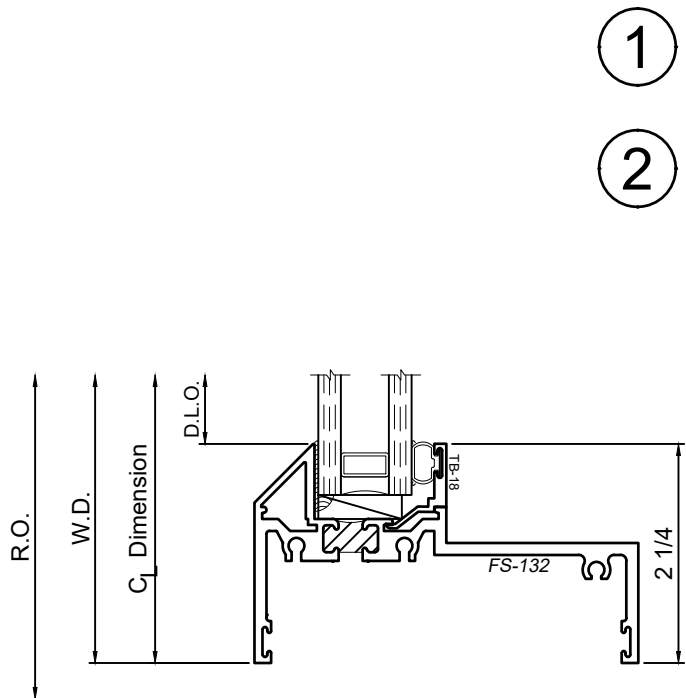
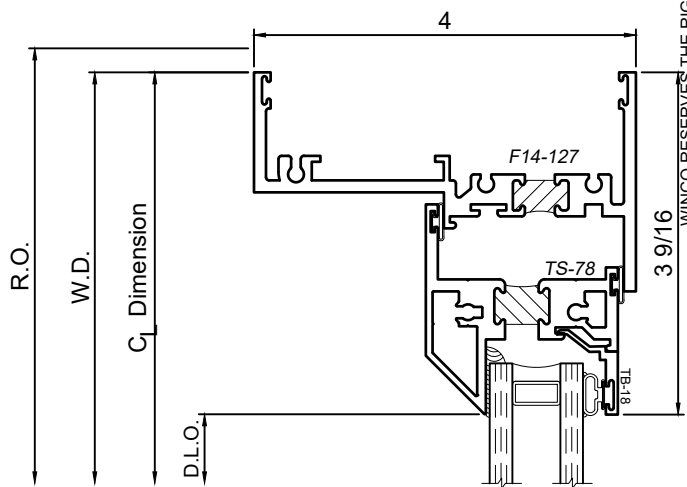
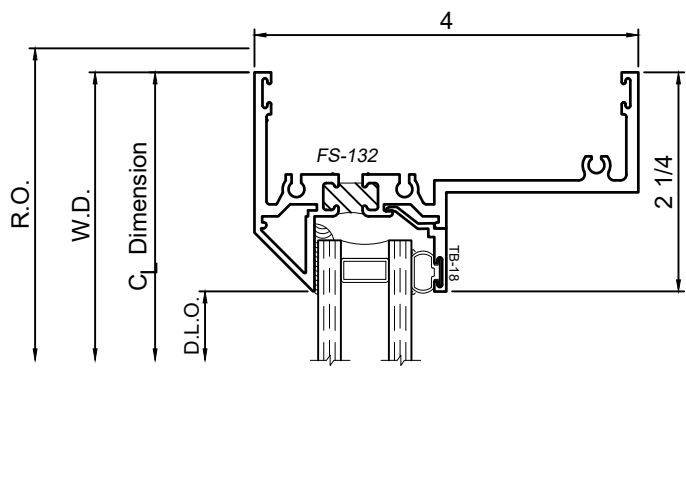
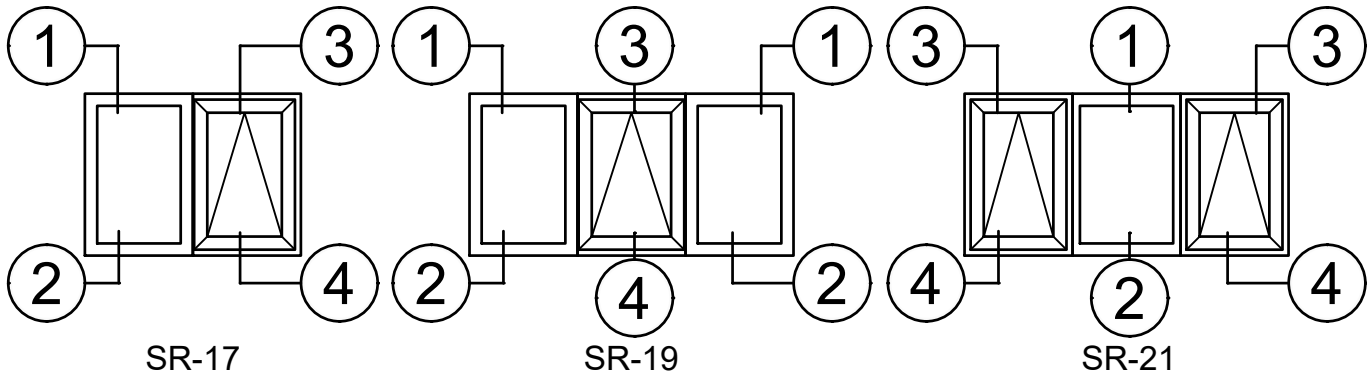
SCALE 6"=1'-0"

4" Thermal Hung Replica and Slider Replica Windows

Product Details - Simulated Slider Head & Sill Details [SR-17, 19 & 21]



Note: Multiple configurations of this window system are available. Refer to the WINCO website for additional options or contact your local WINCO Sales Representative for information.



WINCO RESERVES THE RIGHT TO MODIFY OR CHANGE INFORMATION WITHIN THIS BOOK WHEN DEEMED NECESSARY FOR PRODUCT IMPROVEMENT

© WINCO WINDOW COMPANY, INC. 2021

SCALE 6"=1'-0"

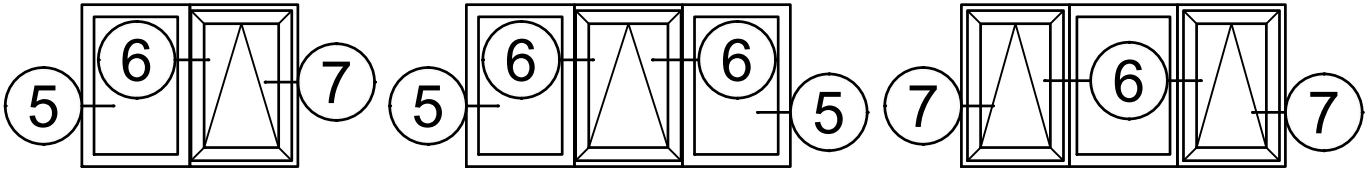
4" Thermal Hung Replica and Slider Replica Windows

Product Details - Simulated Slider Jamb Details [SR-17,19 & 21]



Note: Multiple configurations of this window system are available. Refer to the WINCO website for additional options or contact your local WINCO Sales Representative for information.

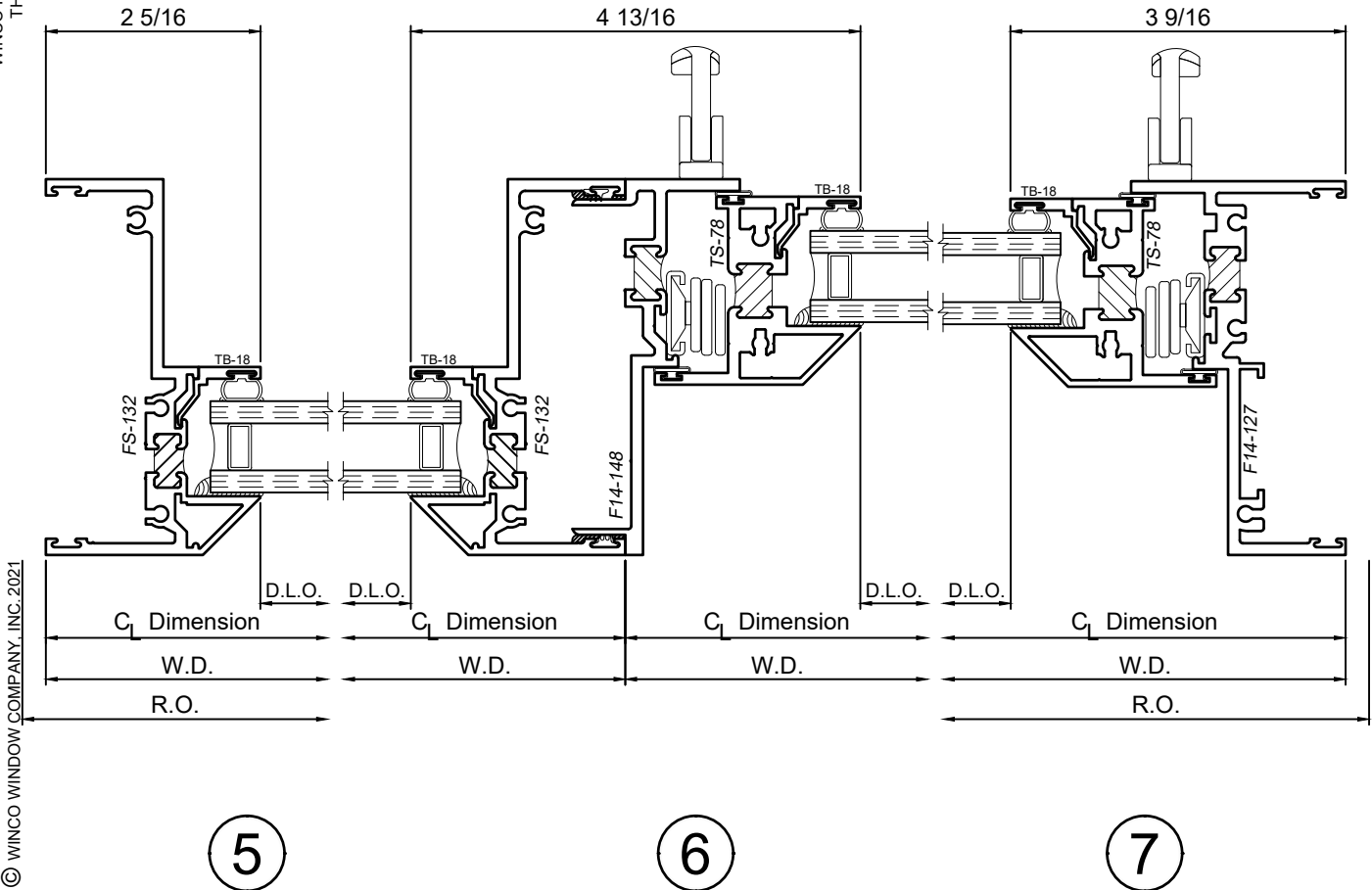
WINCO RESERVES THE RIGHT TO MODIFY OR CHANGE INFORMATION WITHIN THIS BOOK WHEN DEEMED NECESSARY FOR PRODUCT IMPROVEMENT



SR-17

SR-19

SR-21



© WINCO WINDOW COMPANY, INC. 2021

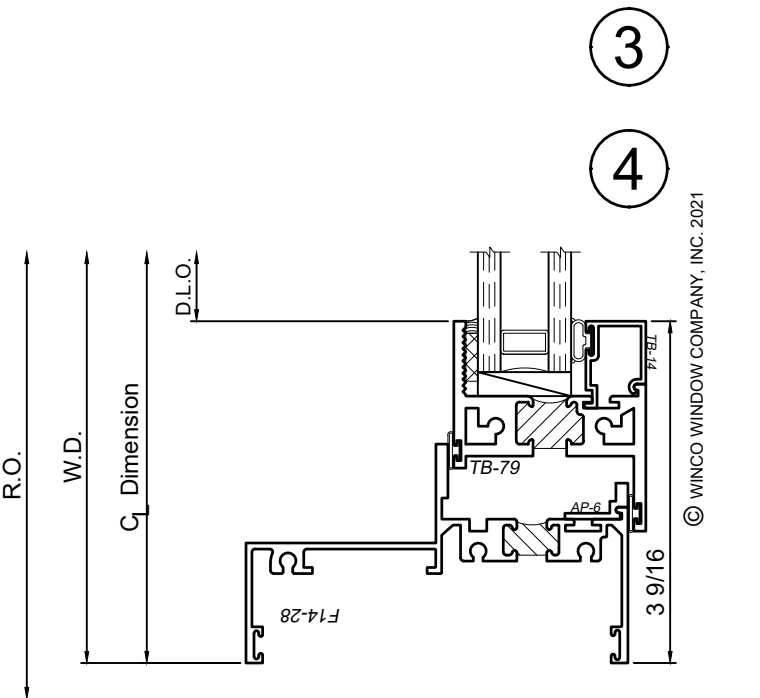
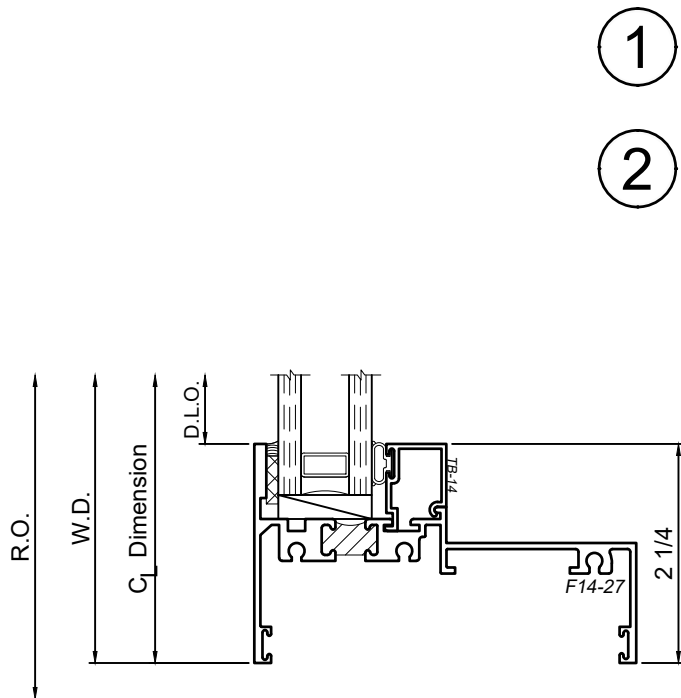
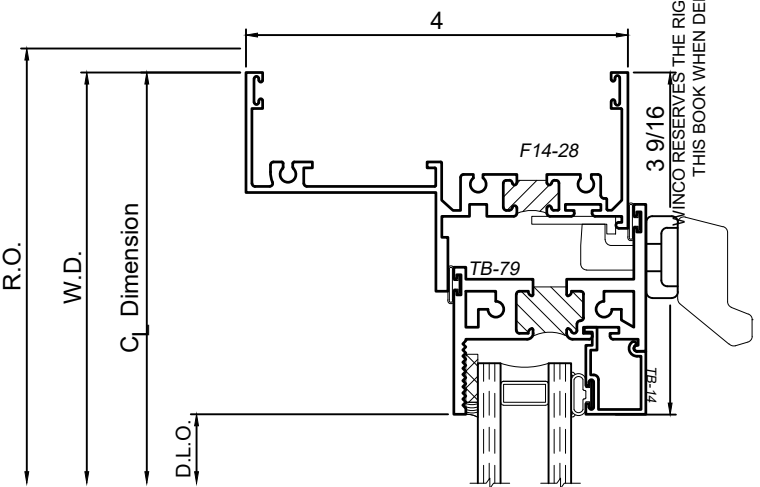
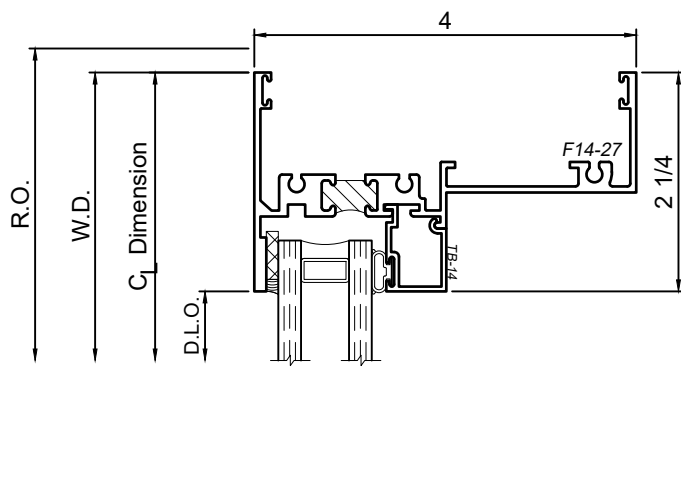
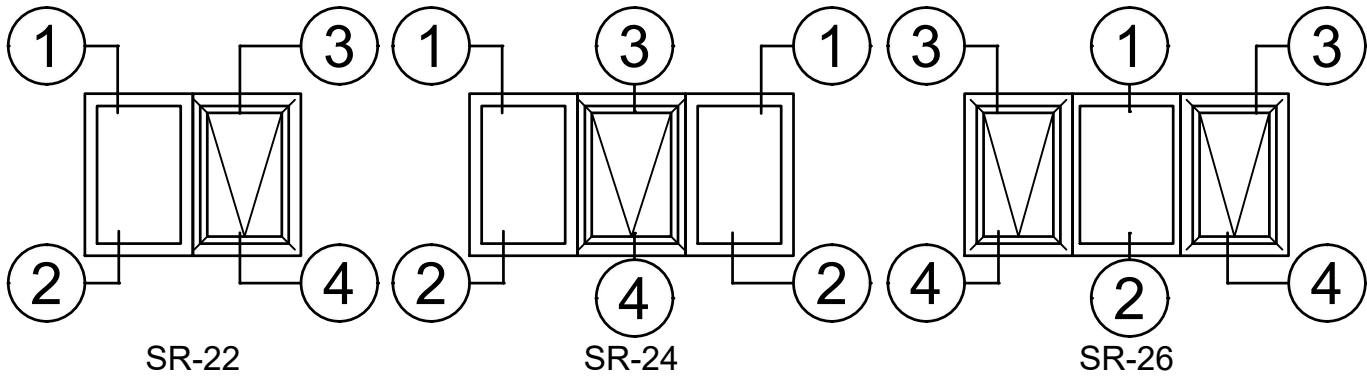
SCALE 6"=1'-0"

4" Thermal Hung Replica and Slider Replica Windows

Product Details - Simulated Slider Head & Sill Details [SR-22,24 & 26]



Note: Multiple configurations of this window system are available. Refer to the WINCO website for additional options or contact your local WINCO Sales Representative for information.



WINCO RESERVES THE RIGHT TO MODIFY OR CHANGE INFORMATION WITHIN THIS BOOK WHEN DEEMED NECESSARY FOR PRODUCT IMPROVEMENT

© WINCO WINDOW COMPANY, INC. 2021

SCALE 6"=1'-0"

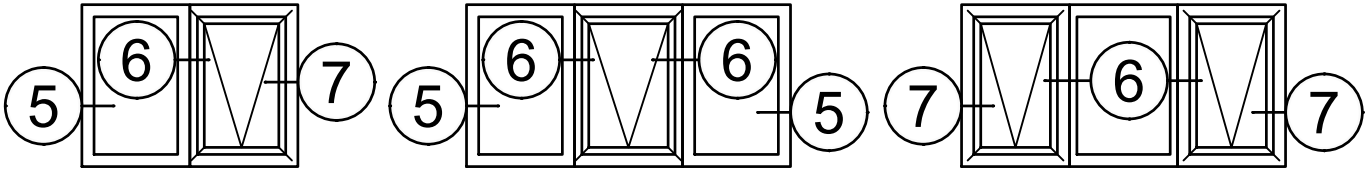
4" Thermal Hung Replica and Slider Replica Windows

Product Details - Simulated Slider Jamb Details [SR-22,24 & 26]



Note: Multiple configurations of this window system are available. Refer to the WINCO website for additional options or contact your local WINCO Sales Representative for information.

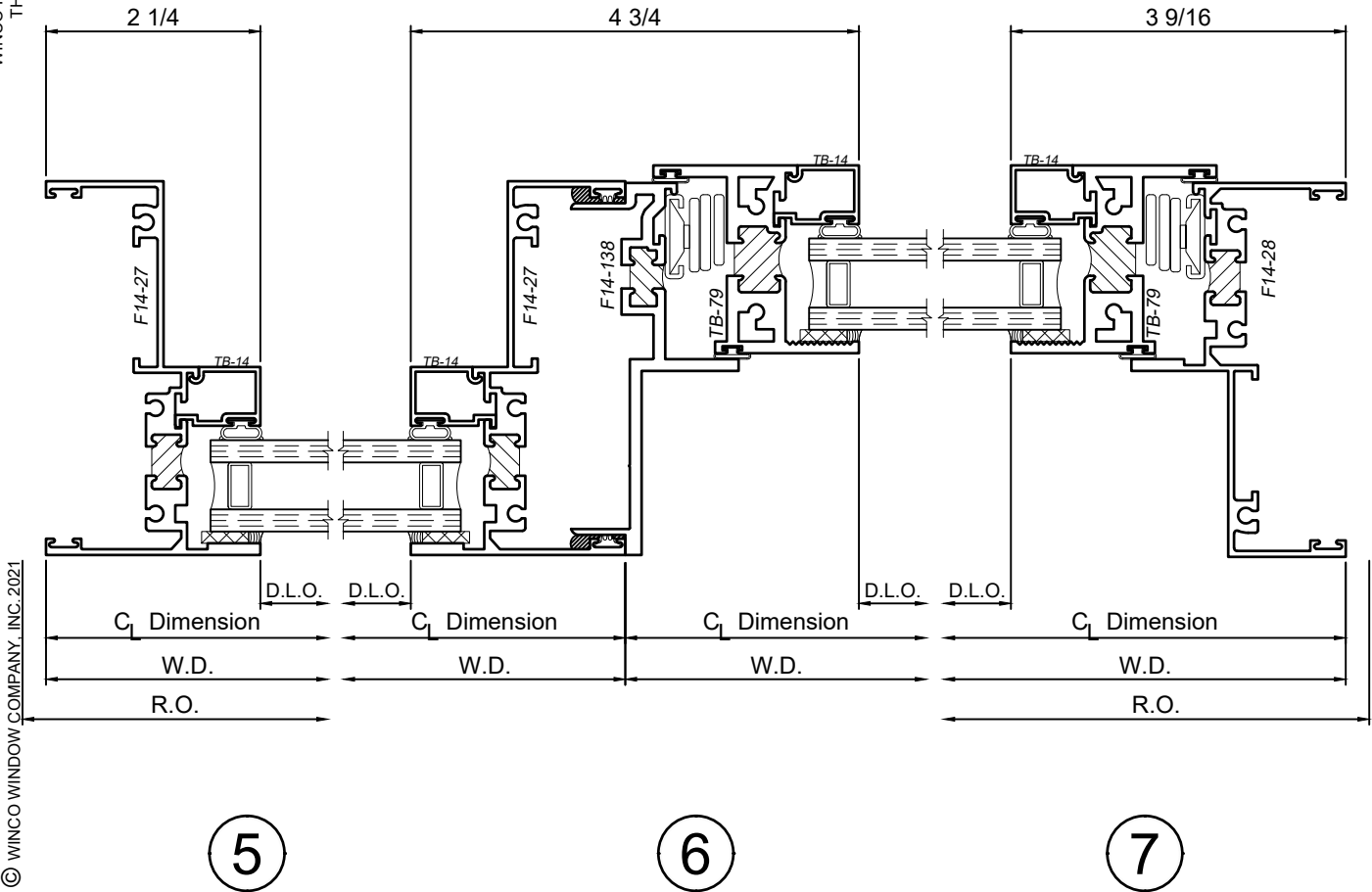
WINCO RESERVES THE RIGHT TO MODIFY OR CHANGE INFORMATION WITHIN THIS BOOK WHEN DEEMED NECESSARY FOR PRODUCT IMPROVEMENT



SR-22

SR-24

SR-26



5

6

7

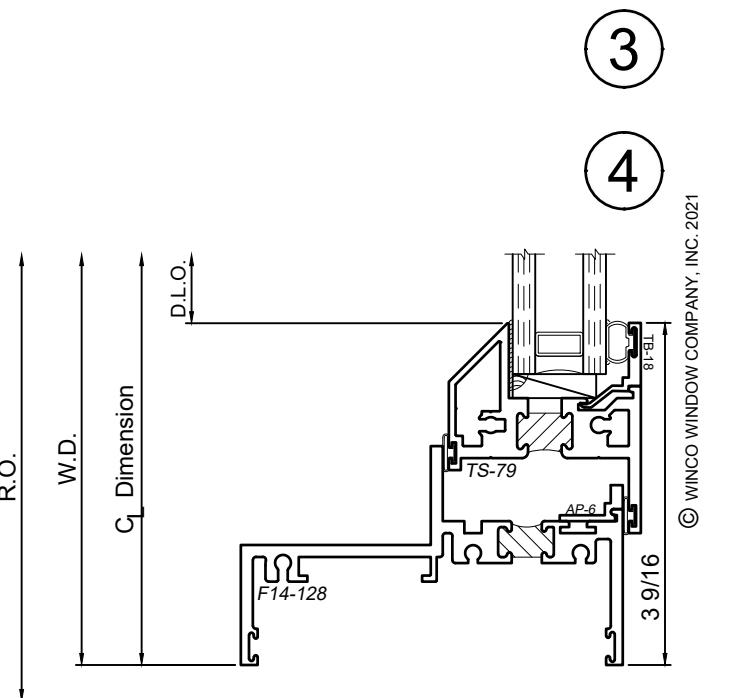
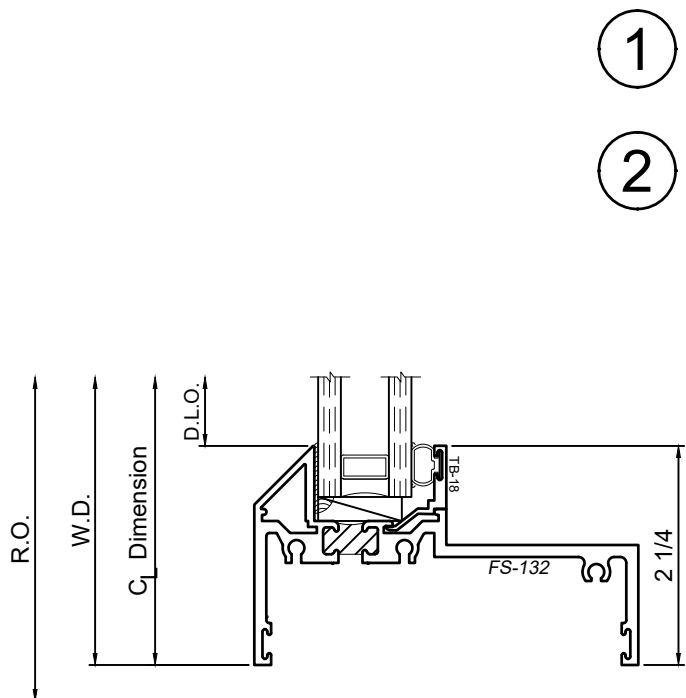
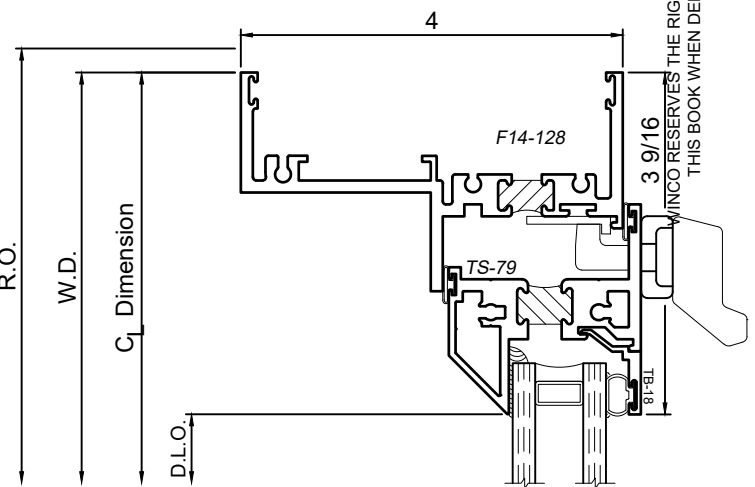
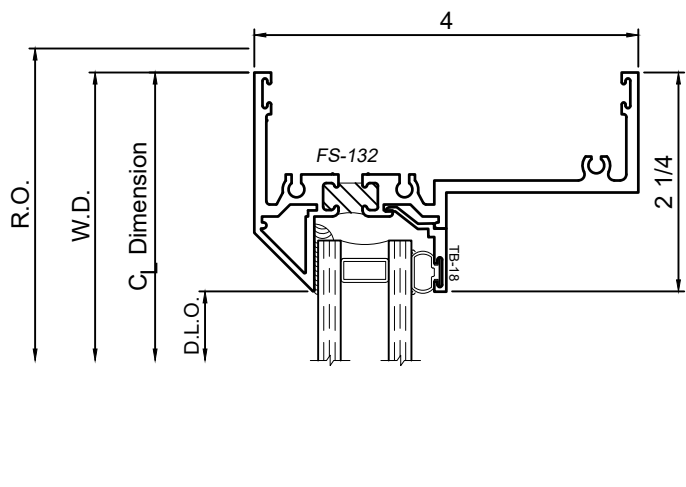
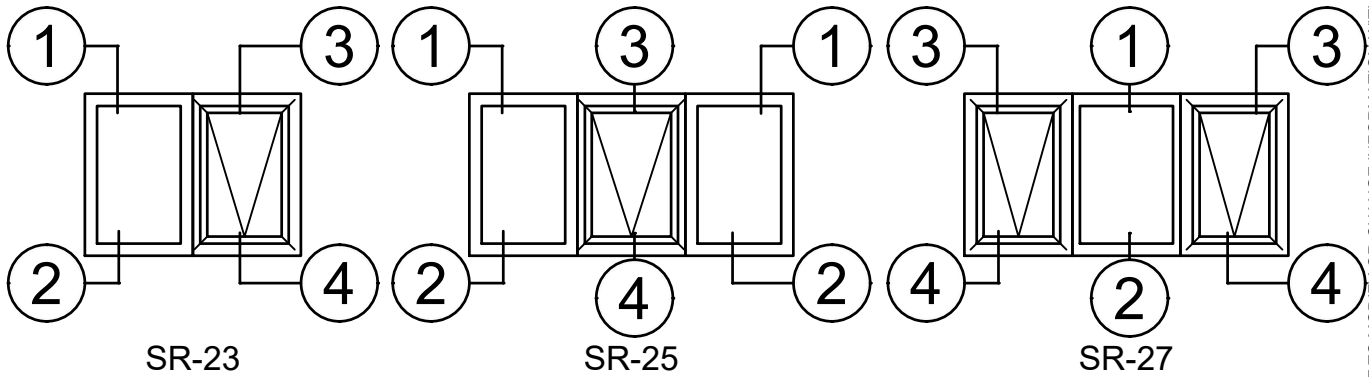
SCALE 6"=1'-0"

4" Thermal Hung Replica and Slider Replica Windows

Product Details - Simulated Slider Head & Sill Details [SR-23,25 & 27]



Note: Multiple configurations of this window system are available. Refer to the WINCO website for additional options or contact your local WINCO Sales Representative for information.



WINCO RESERVES THE RIGHT TO MODIFY OR CHANGE INFORMATION WITHIN THIS BOOK WHEN DEEMED NECESSARY FOR PRODUCT IMPROVEMENT

© WINCO WINDOW COMPANY, INC. 2021

SCALE 6"=1'-0"

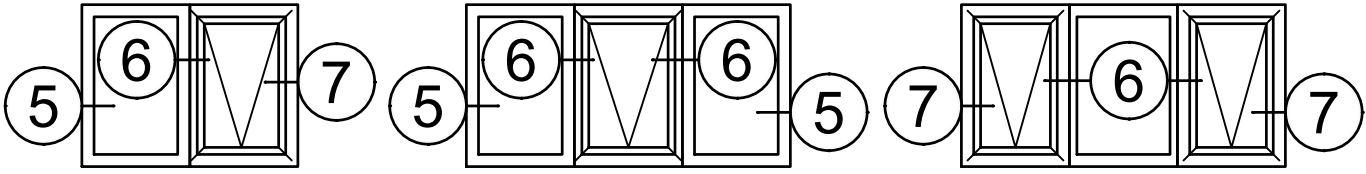
4" Thermal Hung Replica and Slider Replica Windows

Product Details - Simulated Slider Jamb Details [SR-23,25 & 27]



Note: Multiple configurations of this window system are available. Refer to the WINCO website for additional options or contact your local WINCO Sales Representative for information.

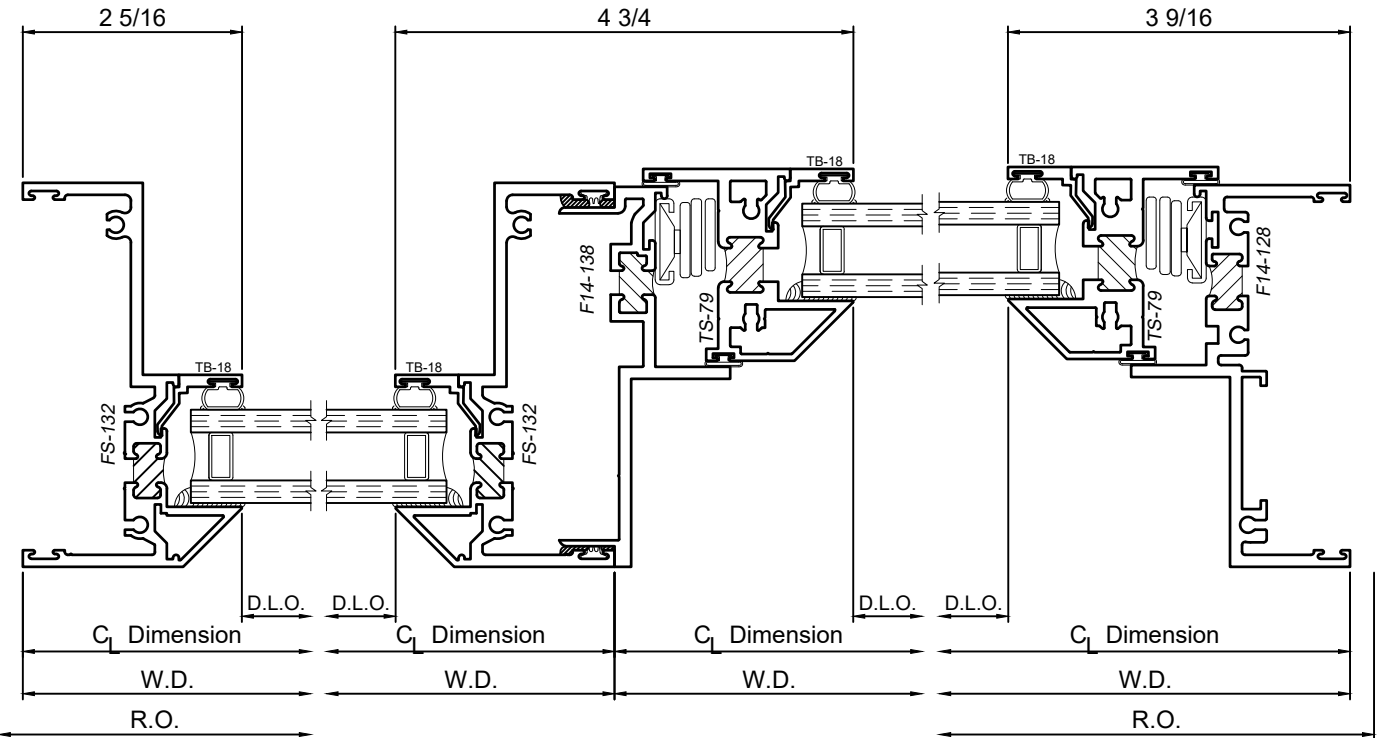
WINCO RESERVES THE RIGHT TO MODIFY OR CHANGE INFORMATION WITHIN THIS BOOK WHEN DEEMED NECESSARY FOR PRODUCT IMPROVEMENT



SR-23

SR-25

SR-27



5

6

7

SCALE 6"=1'-0"

4" Thermal Hung Replica and Slider Replica Windows Product Details -



WINCO RESERVES THE RIGHT TO MODIFY OR CHANGE INFORMATION WITHIN
THIS BOOK WHEN DEEMED NECESSARY FOR PRODUCT IMPROVEMENT

This page is purposely left blank

© WINCO WINDOW COMPANY, INC. 2021

SCALE 6"=1'-0"

HR-SR / D / 36

(800) 525-8089

www.wincowindow.com

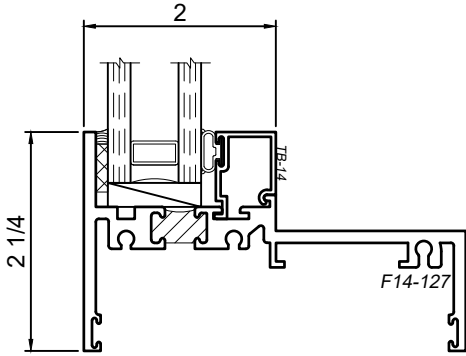
4" Thermal Hung Replica and Slider Replica Windows

Product Details - Frame Options

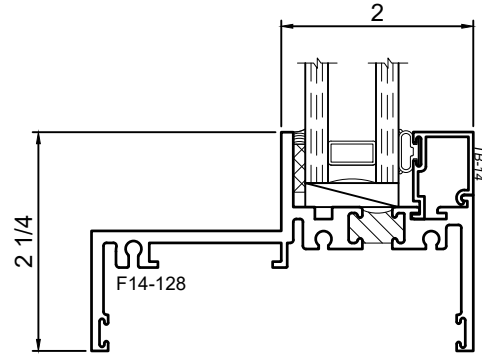


Note: Multiple configurations of this window system are available. Refer to the WINCO website for additional options or contact your local WINCO Sales Representative for information.

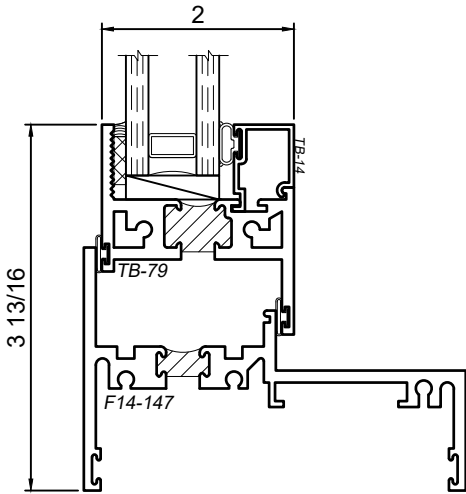
WINCO RESERVES THE RIGHT TO MODIFY OR CHANGE INFORMATION WITHIN THIS BOOK WHEN DEEMED NECESSARY FOR PRODUCT IMPROVEMENT



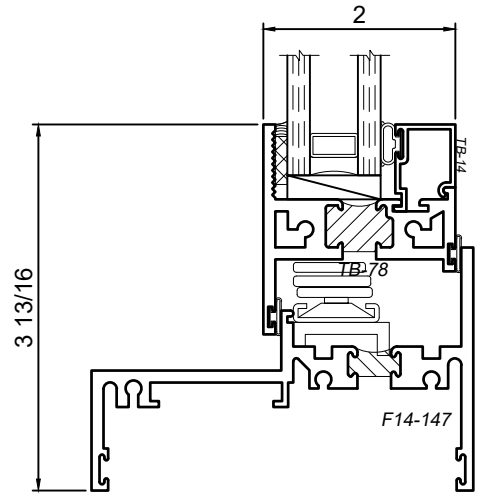
Available at head, jamb, and sill



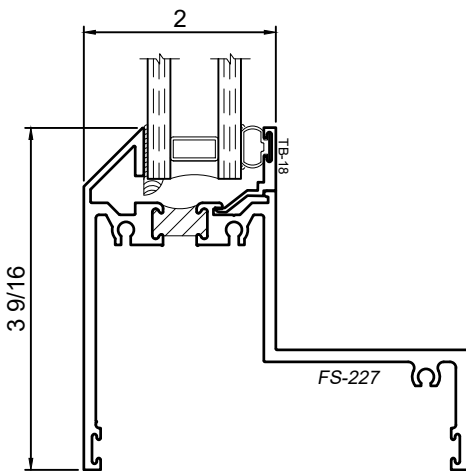
Available at head, jamb, and sill



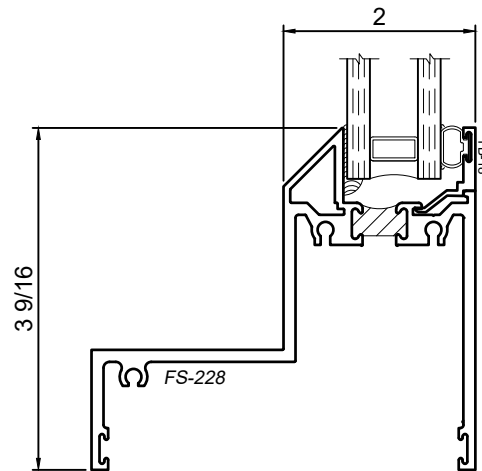
Available at sill



Available at sill



Available at head, jamb and sill
Fixed Lite Only



Available at head, jamb and sill
Fixed Lite Only

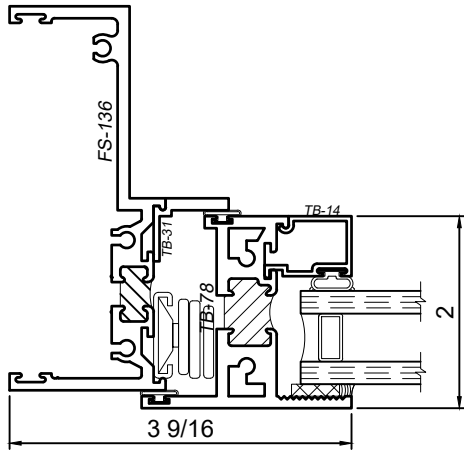
SCALE 6"=1'-0"

© WINCO WINDOW COMPANY, INC. 2021

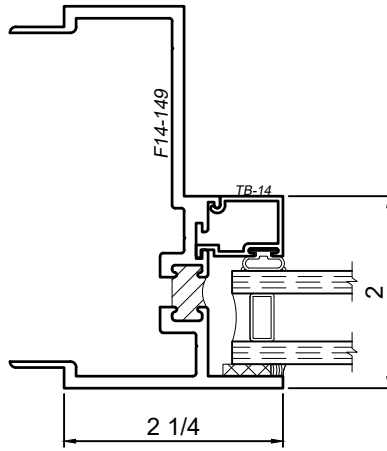
4" Thermal Hung Replica and Slider Replica Windows Product Details - Frame Options



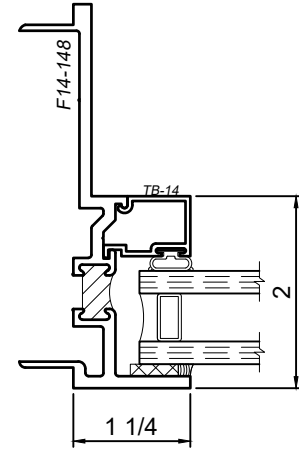
Note: Multiple configurations of this window system are available. Refer to the WINCO website for additional options or contact your local WINCO Sales Representative for information.



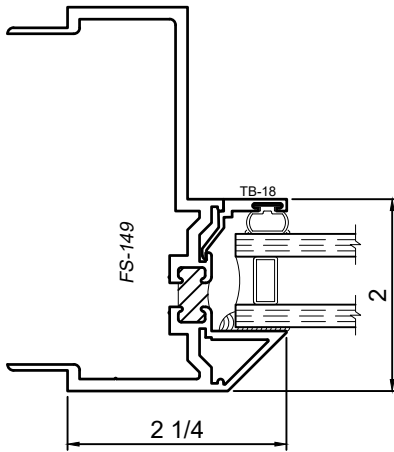
Available at head and jamb



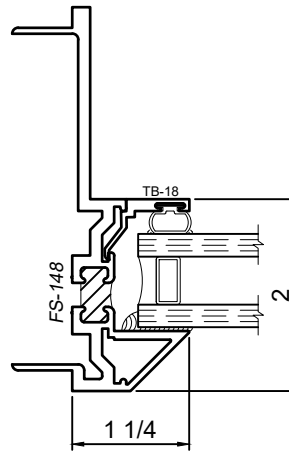
Available at head and jamb



Available at head and jamb



Available at head and jamb



Available at head and jamb

WINCO RESERVES THE RIGHT TO MODIFY OR CHANGE INFORMATION WITHIN THIS BOOK WHEN DEEMED NECESSARY FOR PRODUCT IMPROVEMENT

© WINCO WINDOW COMPANY, INC. 2021

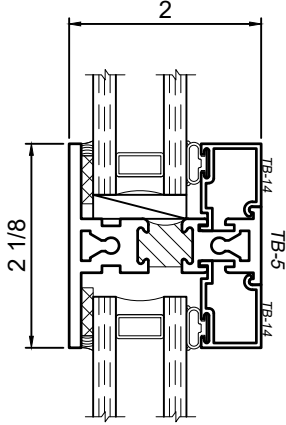
SCALE 6"=1'-0"

4" Thermal Hung Replica and Slider Replica Windows Product Details - 2 Inch and 4 Inch Rail Options

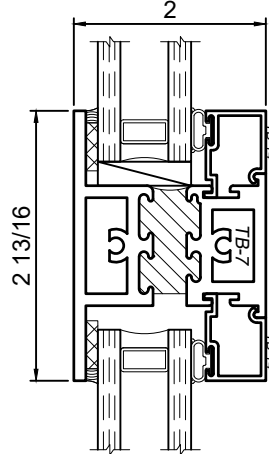


Note: Multiple configurations of this window system are available. Refer to the WINCO website for additional options or contact your local WINCO Sales Representative for information.

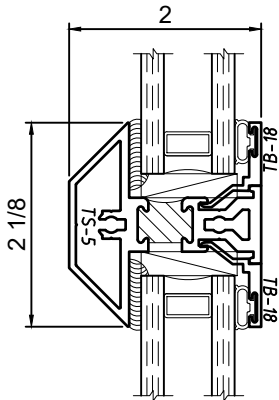
WINCO RESERVES THE RIGHT TO MODIFY OR CHANGE INFORMATION WITHIN THIS BOOK WHEN DEEMED NECESSARY FOR PRODUCT IMPROVEMENT



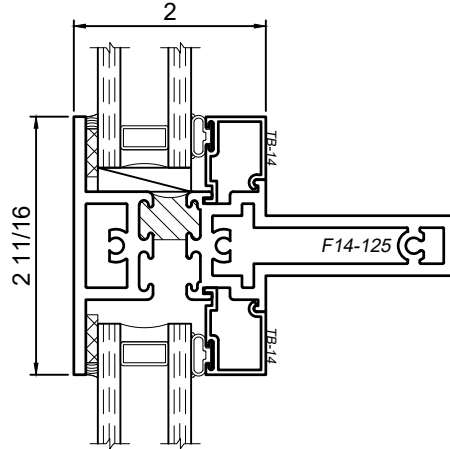
Standard 2 Inch T - Rail
(only compatible w/ F14-xx frame,
Fixed or PI configuration)



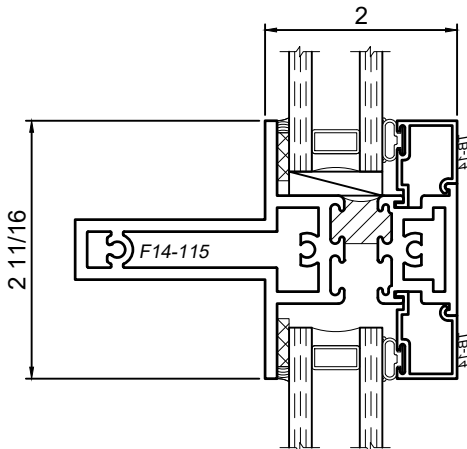
Heavy Duty 2 Inch T - Rail
(only compatible w/ F14-xx frame,
Fixed or PI configuration)



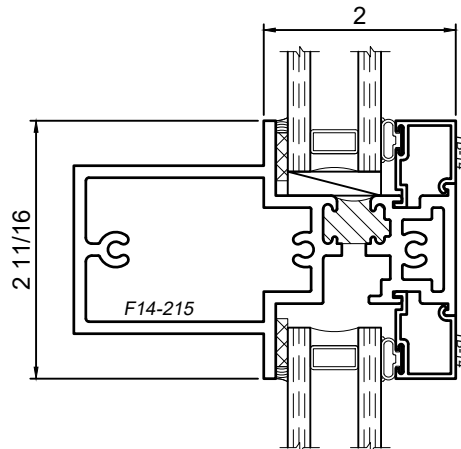
Standard 2 Inch T - Rail
(only compatible w/ F14-xx frame,
Fixed configuration)



Standard 4 Inch T - Rail for Upper Unit
(only compatible w/ F14-27 or F14-127 frame,
Fixed or PI configuration)



Standard 4 Inch T - Rail for Bottom Unit
(only compatible w/ F14-28 or F14-128 frame,
Fixed or PI configuration)



Heavy 4 Inch T - Rail for Bottom Unit
(only compatible w/ F14-28 or F14-128 frame
Fixed or PI configuration)

SCALE 6"=1'-0"

© WINCO WINDOW COMPANY, INC. 2021

4" Thermal Hung Replica and Slider Replica Windows Product Details -



WINCO RESERVES THE RIGHT TO MODIFY OR CHANGE INFORMATION WITHIN
THIS BOOK WHEN DEEMED NECESSARY FOR PRODUCT IMPROVEMENT

This page is purposely left blank

© WINCO WINDOW COMPANY, INC. 2021

SCALE 6"=1'-0"

HR-SR / O / 4

(800) 525-8089

www.wincowindow.com

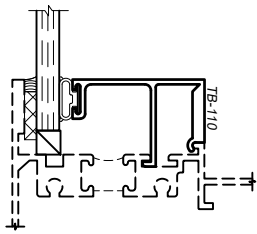
4" Thermal Hung Replica and Slider Replica Windows

Product Details - Glazing Options

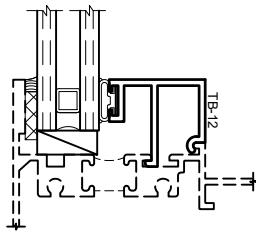


Note: Multiple configurations of this window system are available. Refer to the WINCO website for additional options or contact your local WINCO Sales Representative for information.

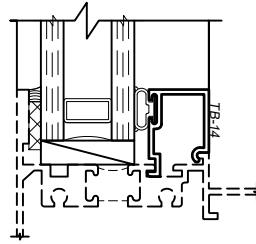
WINCO RESERVES THE RIGHT TO MODIFY OR CHANGE INFORMATION WITHIN THIS BOOK WHEN DEEMED NECESSARY FOR PRODUCT IMPROVEMENT



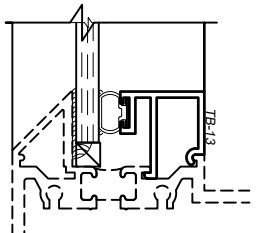
1/4" Glazing Bead
TB-110
F14-xx Frame &
TB-7x Sash



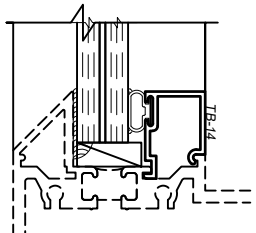
5/8" Glazing Bead
TB-12
F14-xx Frame &
TB-7x Sash



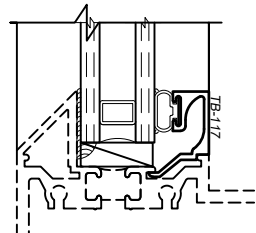
1" Glazing Bead
TB-14
F14-xx Frame &
TB-7x Sash



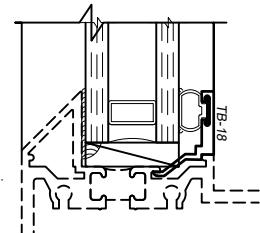
1/4" Glazing Bead
TB-13
FS-xxx Frame &
TS-7x Sash



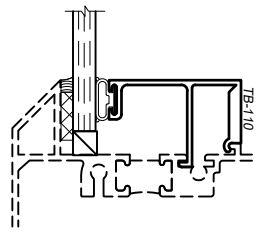
1/2" Glazing Bead
TB-14
FS-xxx Frame &
TS-7x Sash



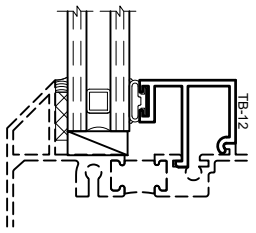
3/4" Glazing Bead
TB-117
FS-xxx Frame &
TS-7x Sash



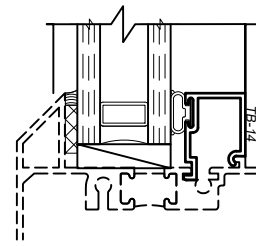
1" Glazing Bead
TB-18
FS-xxx Frame &
TS-7x Sash



1/4" Glazing Bead
TB-110
S4-xx or RS-xx
Frame



5/8" Glazing Bead
TB-12
S4-xx or RS-xx
Frame



1" Glazing Bead
TB-14
S4-xx or RS-xx
Frame

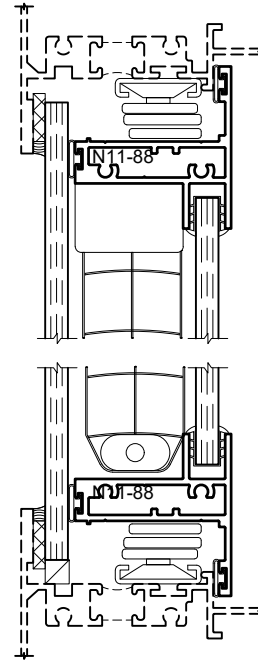
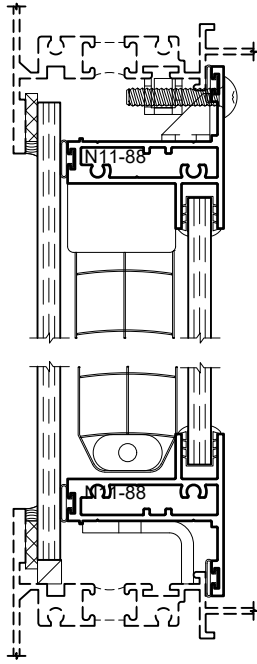
SCALE 6"=1'-0"

4" Thermal Hung Replica and Slider Replica Windows

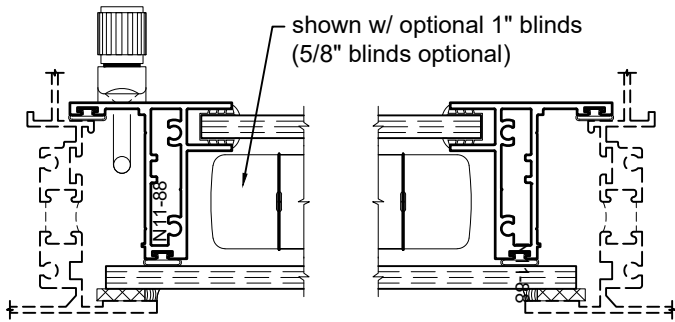
Product Details - Dual Glazed w/ Interior Sash -1450 Configuration



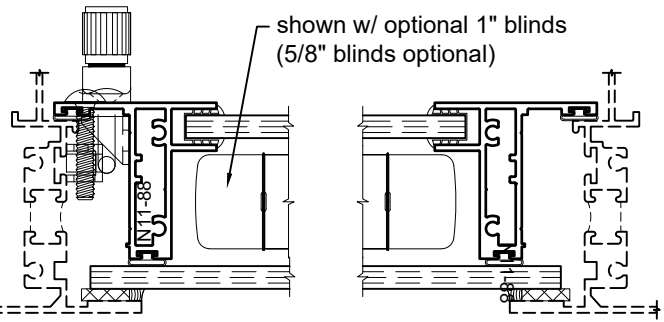
Note: Multiple configurations of this window system are available. Refer to the WINCO website for additional options or contact your local WINCO Sales Representative for information.



WINCO RESERVES THE RIGHT TO MODIFY OR CHANGE INFORMATION WITHIN THIS BOOK WHEN DEEMED NECESSARY FOR PRODUCT IMPROVEMENT

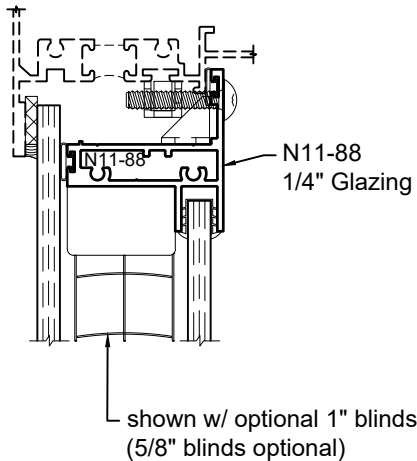


Dual Glazed w/ Take Out Sash - 65 Option



Dual Glazed w/ Hinged Sash - 75 Option

Dual Glazed Sash Options



S4-xx [Grand Park Center] is incompatible with Blind Access Sash design.
The options shown on this page only apply to F14-xx and RS-xx based window configurations.

© WINCO WINDOW COMPANY, INC. 2021

SCALE 6"=1'-0"

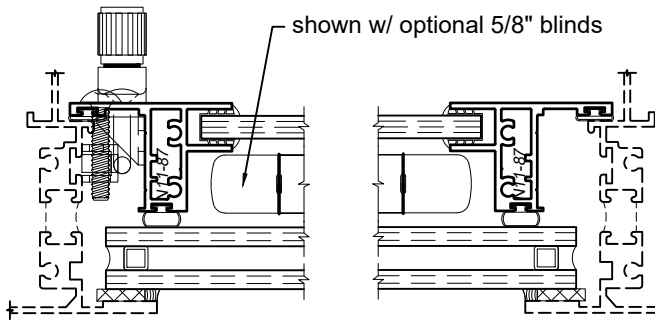
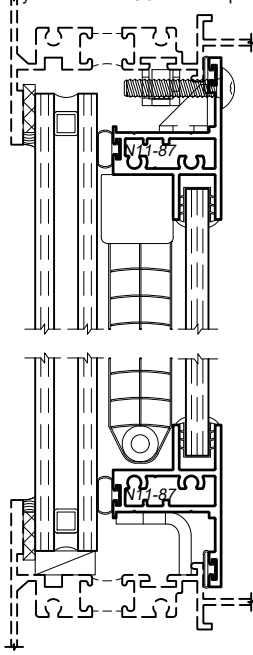
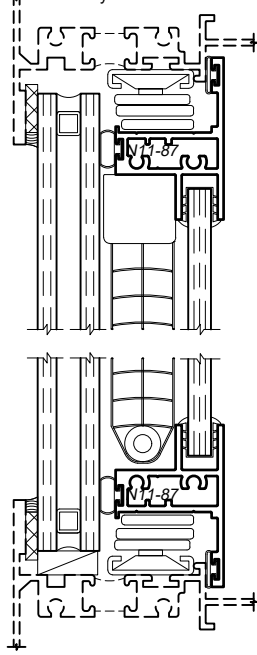
4" Thermal Hung Replica and Slider Replica Windows

Product Details - Tripple Glazed w/ Interior Sash -1450 Configuration

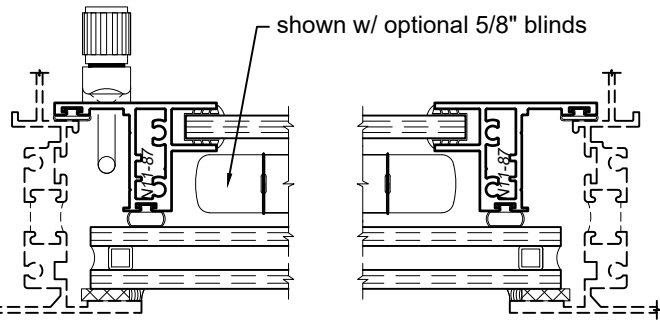


Note: Multiple configurations of this window system are available. Refer to the WINCO website for additional options or contact your local WINCO Sales Representative for information.

WINCO RESERVES THE RIGHT TO MODIFY OR CHANGE INFORMATION WITHIN THIS BOOK WHEN DEEMED NECESSARY FOR PRODUCT IMPROVEMENT

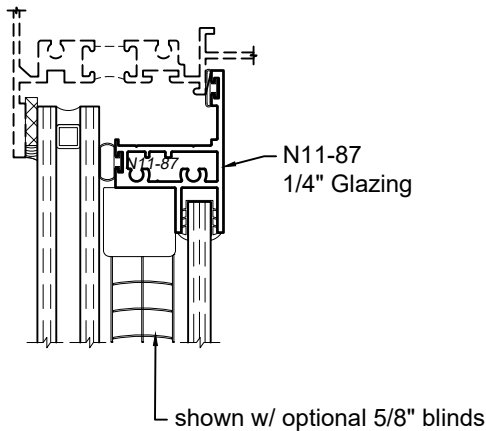


Triple Glazed w/ Hinged Sash - 85 Option



Triple Glazed w/ Take Out Sash - 95 Option

Triple Glazed Sash Options



S4-xx [Grand Park Center] is incompatible with Blind Access Sash design.
The options shown on this page only apply to F14-xx and RS-xx based window configurations.

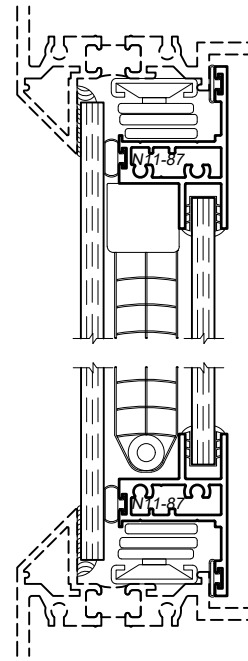
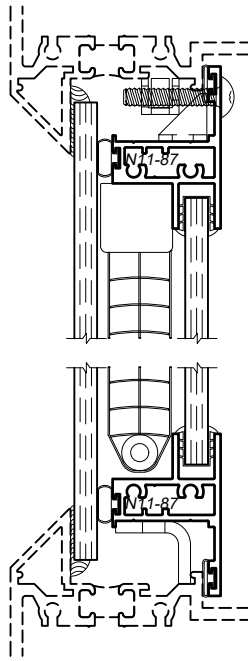
SCALE 6"=1'-0"

4" Thermal Hung Replica and Slider Replica Windows

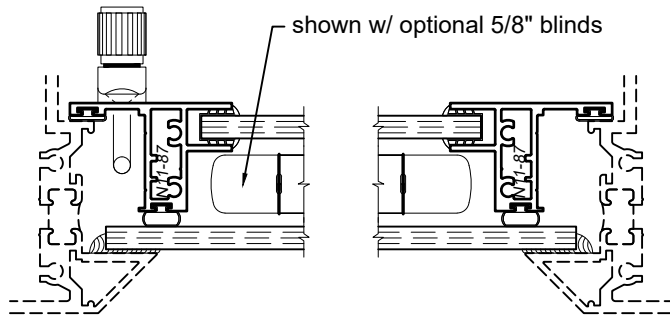
Product Details - Dual Glazed w/ Interior Sash -1450S Configuration



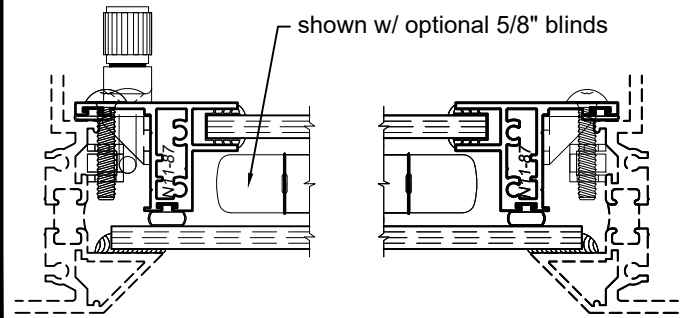
Note: Multiple configurations of this window system are available. Refer to the WINCO website for additional options or contact your local WINCO Sales Representative for information.



WINCO RESERVES THE RIGHT TO MODIFY OR CHANGE INFORMATION WITHIN THIS BOOK WHEN DEEMED NECESSARY FOR PRODUCT IMPROVEMENT



Dual Glazed w/ Take Out Sash - 65 Option



Dual Glazed w/ Hinged Sash - 75 Option

S4-xx [Grand Park Center] is incompatible with Blind Access Sash design.

The options shown on this page only apply to FS-xx based window configurations.

© WINCO WINDOW COMPANY, INC. 2021

SCALE 6"=1'-0"

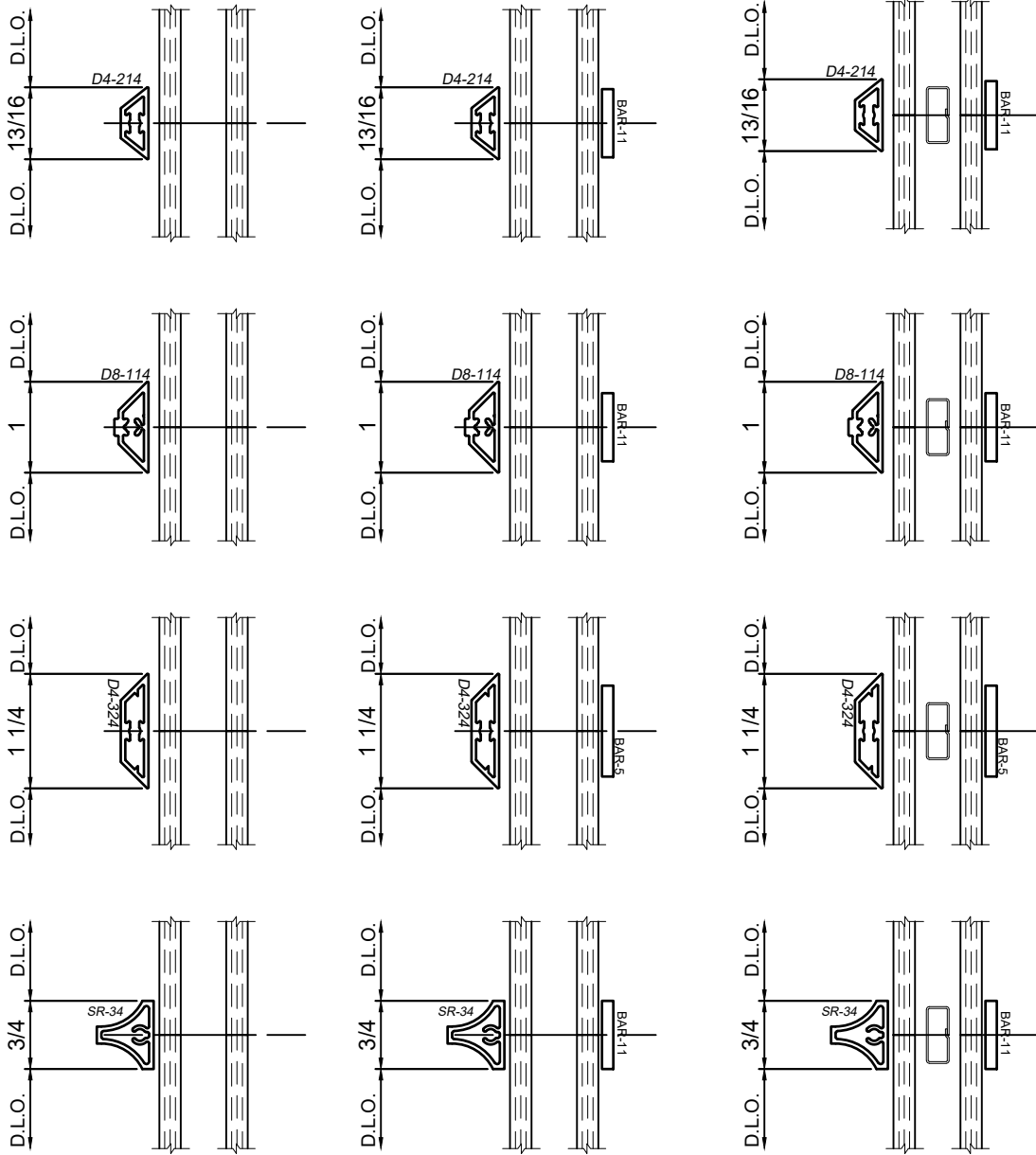
4" Thermal Hung Replica and Slider Replica Windows

Product Details - Grid Options for Putty Glazed Configurations



Note: Multiple configurations of this window system are available. Refer to the WINCO website for additional options or contact your local WINCO Sales Representative for information. Profile Grid Muntins are only available for sloped (putty) glazed frame & sash configurations.

WINCO RESERVES THE RIGHT TO MODIFY OR CHANGE INFORMATION WITHIN THIS BOOK WHEN DEEMED NECESSARY FOR PRODUCT IMPROVEMENT



© WINCO WINDOW COMPANY, INC. 2021

WINCO RESERVES THE RIGHT TO MODIFY OR CHANGE INFORMATION WITHIN
THIS BOOK WHEN DEEMED NECESSARY FOR PRODUCT IMPROVEMENT

This page is purposely left blank

© WINCO WINDOW COMPANY, INC. 2021

4" Thermal Hung Replica and Slider Replica Windows

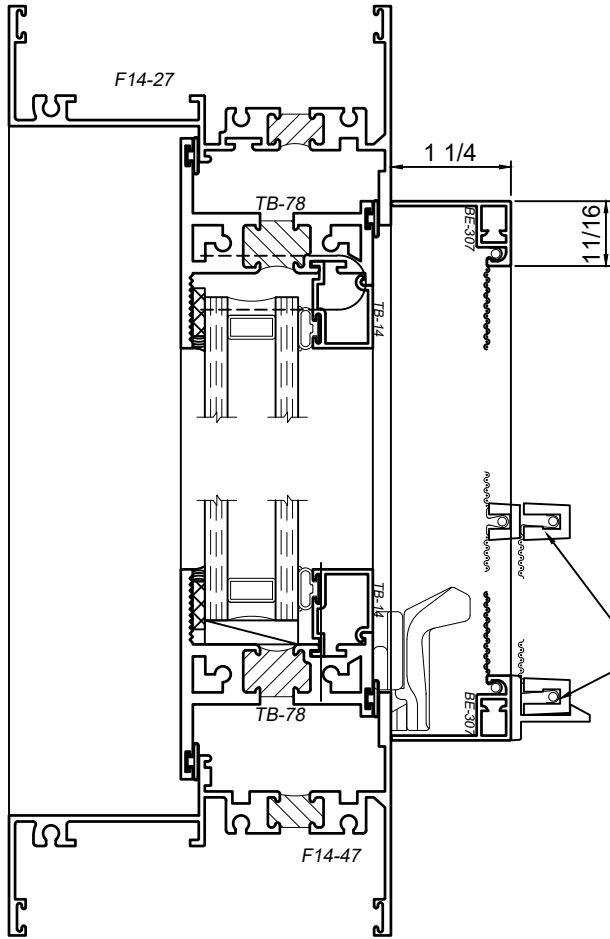
Product Details - Screen Options - PO - Awning [Flat Glazed]



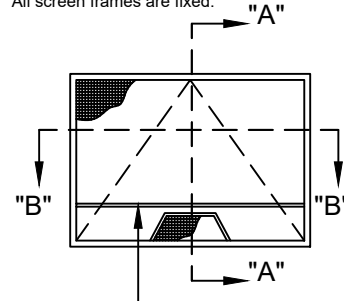
Note: Typical vent screen details shown. Winco reserves the right to alter the screen attachment detail due to job specific sizing and hardware. If you have specific screen applications you would like to see please contact your local Winco Sales Representative for more information.

WINCO RESERVES THE RIGHT TO MODIFY OR CHANGE INFORMATION WITHIN THIS BOOK WHEN DEEMED NECESSARY FOR PRODUCT IMPROVEMENT

Section "A" - "A"



Note: Dashed lines on screen elevations depict operable sash type.
All screen frames are fixed.

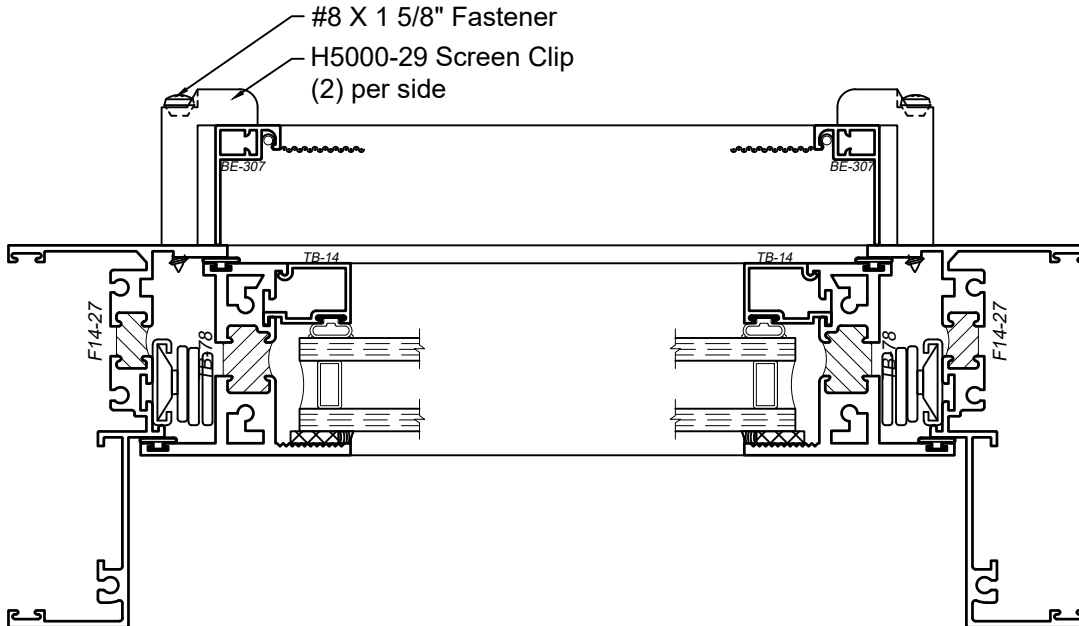


Optional D8-90 Muntin Bar

Winco reserves the right to add the D8-90 muntin bar to any aluminum mesh screen for wicket support if the vent becomes too wide. All Fiberglass screen mesh will receive the support rail regardless of width.

Top hinged Wicket
(1) per cam lock

© WINCO WINDOW COMPANY, INC. 2021



SCALE 6"=1'-0"

Section "B" - "B"

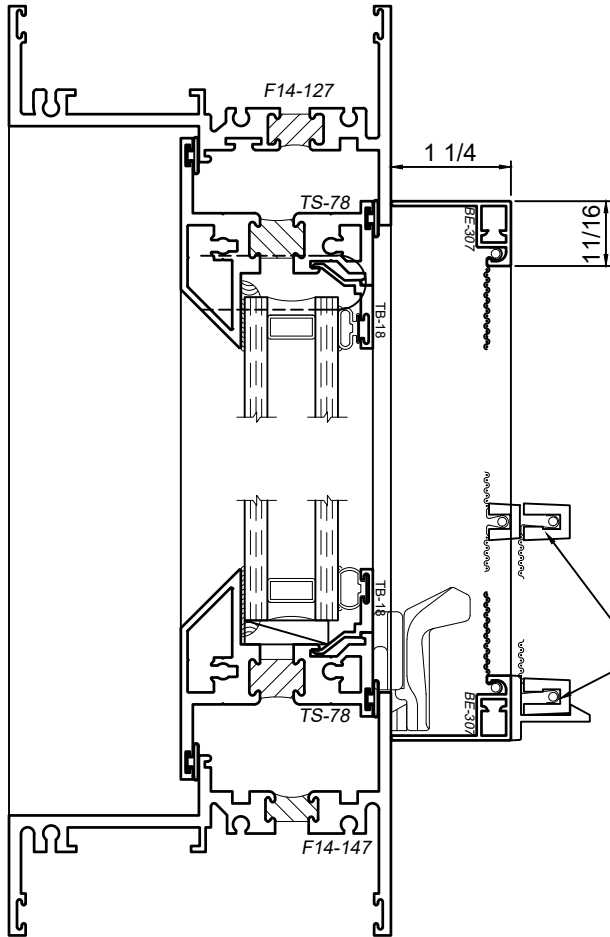
4" Thermal Hung Replica and Slider Replica Windows

Product Details - Screen Options - PO - Awning [Putty Glazed]

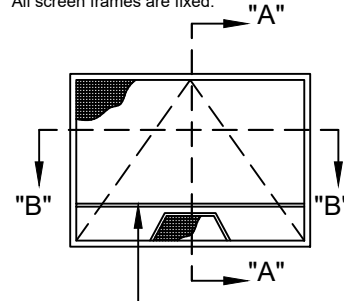


Note: Typical vent screen details shown. Winco reserves the right to alter the screen attachment detail due to job specific sizing and hardware. If you have specific screen applications you would like to see please contact your local Winco Sales Representative for more information.

Section "A" - "A"



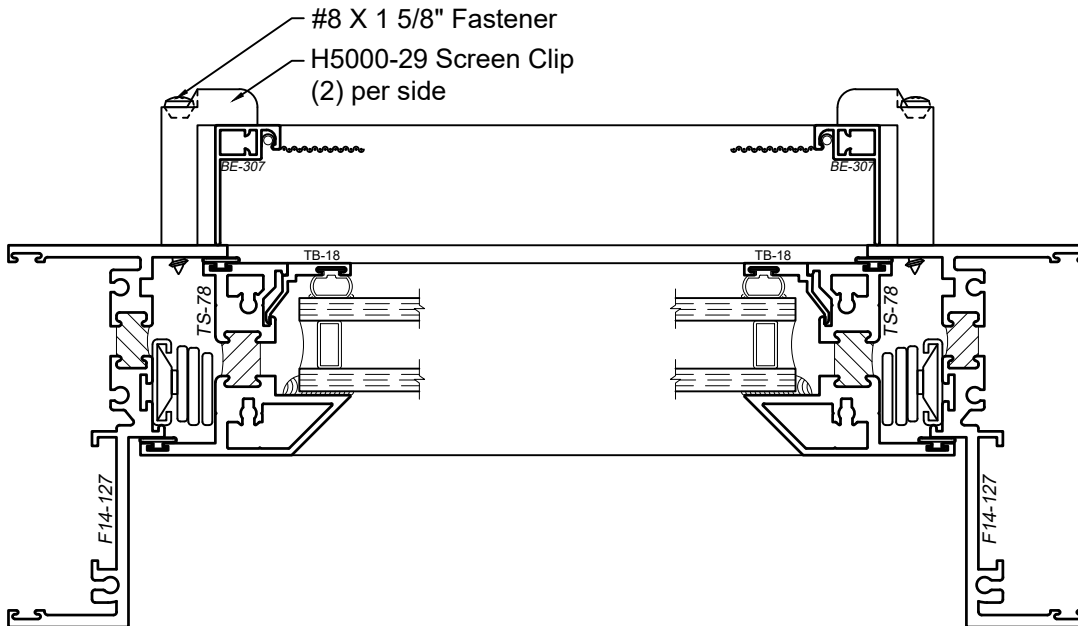
Note: Dashed lines on screen elevations depict operable sash type.
All screen frames are fixed.



Optional D8-90 Muntin Bar

Winco reserves the right to add the D8-90 muntin bar to any aluminum mesh screen for wicket support if the vent becomes too wide. All Fiberglass screen mesh will receive the support rail regardless of width.

Top hinged Wicket
(1) per cam lock



SCALE 6"=1'-0"

Section "B" - "B"

WINCO RESERVES THE RIGHT TO MODIFY OR CHANGE INFORMATION WITHIN THIS BOOK WHEN DEEMED NECESSARY FOR PRODUCT IMPROVEMENT

© WINCO WINDOW COMPANY, INC. 2021

4" Thermal Hung Replica and Slider Replica Windows

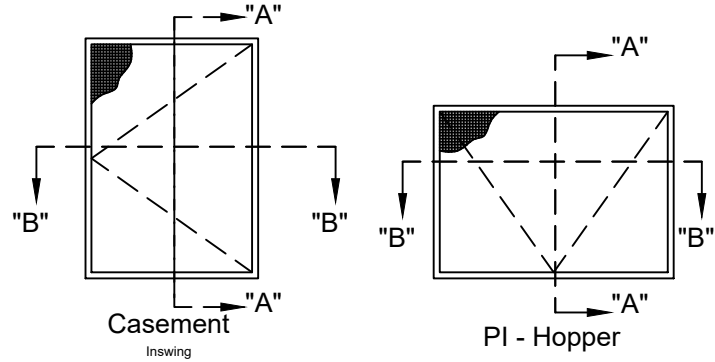
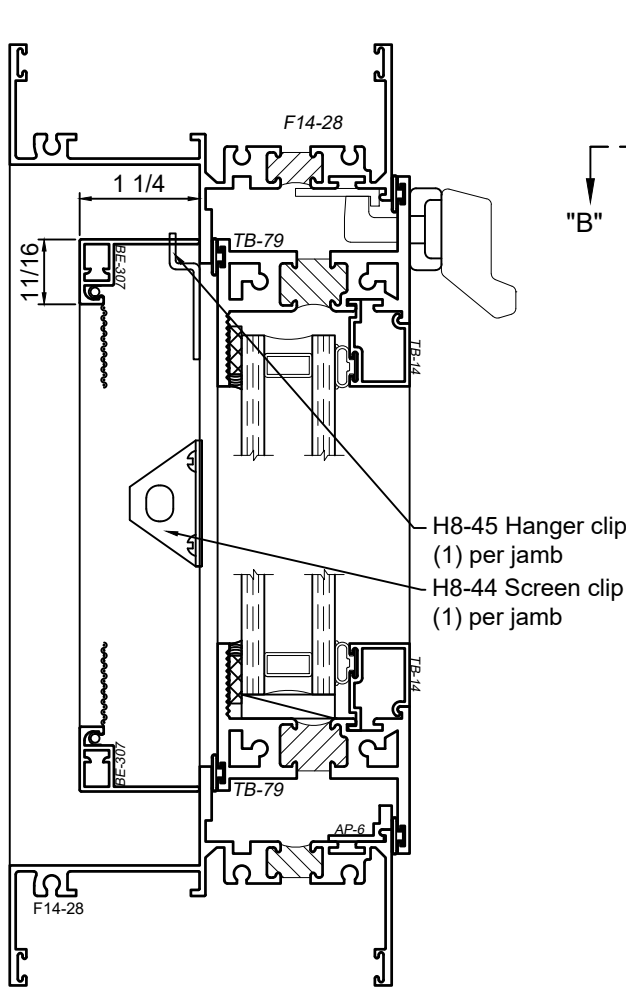
Product Details - Screen Options - PI Hopper [Flat Glazed]



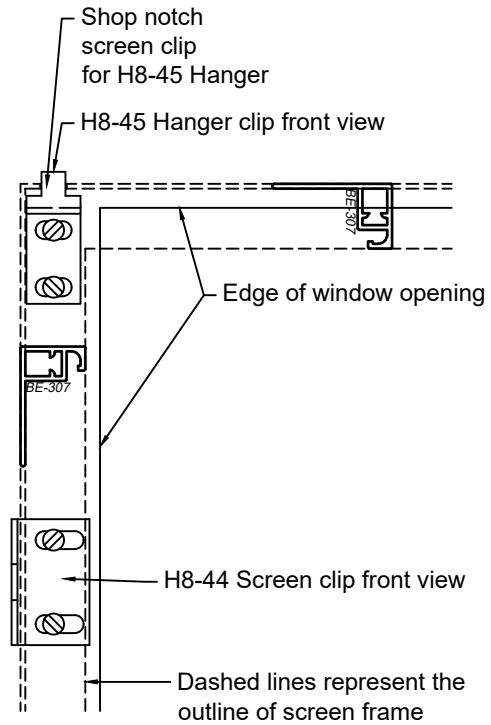
Note: Typical vent screen details shown. Winco reserves the right to alter the screen attachment detail due to job specific sizing and hardware. If you have specific screen applications you would like to see please contact your local Winco Sales Representative for more information.

WINCO RESERVES THE RIGHT TO MODIFY OR CHANGE INFORMATION WITHIN THIS BOOK WHEN DEEMED NECESSARY FOR PRODUCT IMPROVEMENT

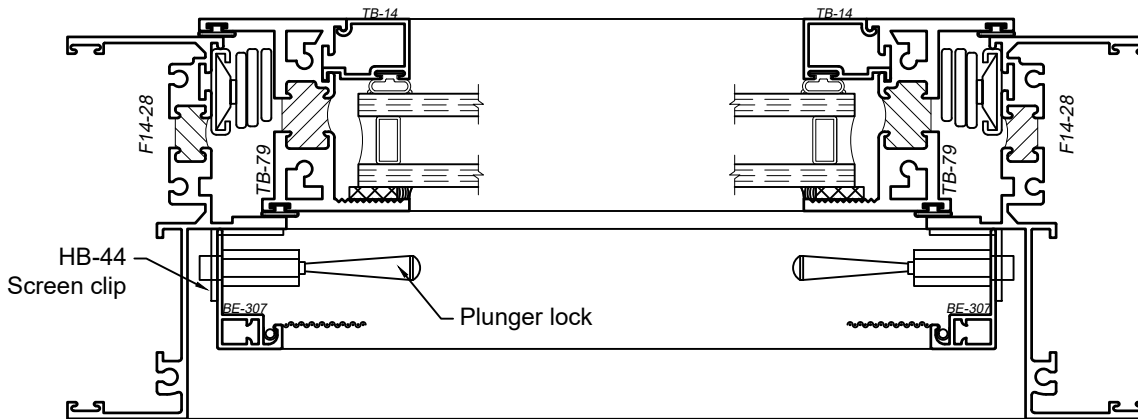
Section "A" - "A"



Note: Dashed lines on screen elevations depict operable sash type. All screen frames are fixed.



© WINCO WINDOW COMPANY, INC. 2021



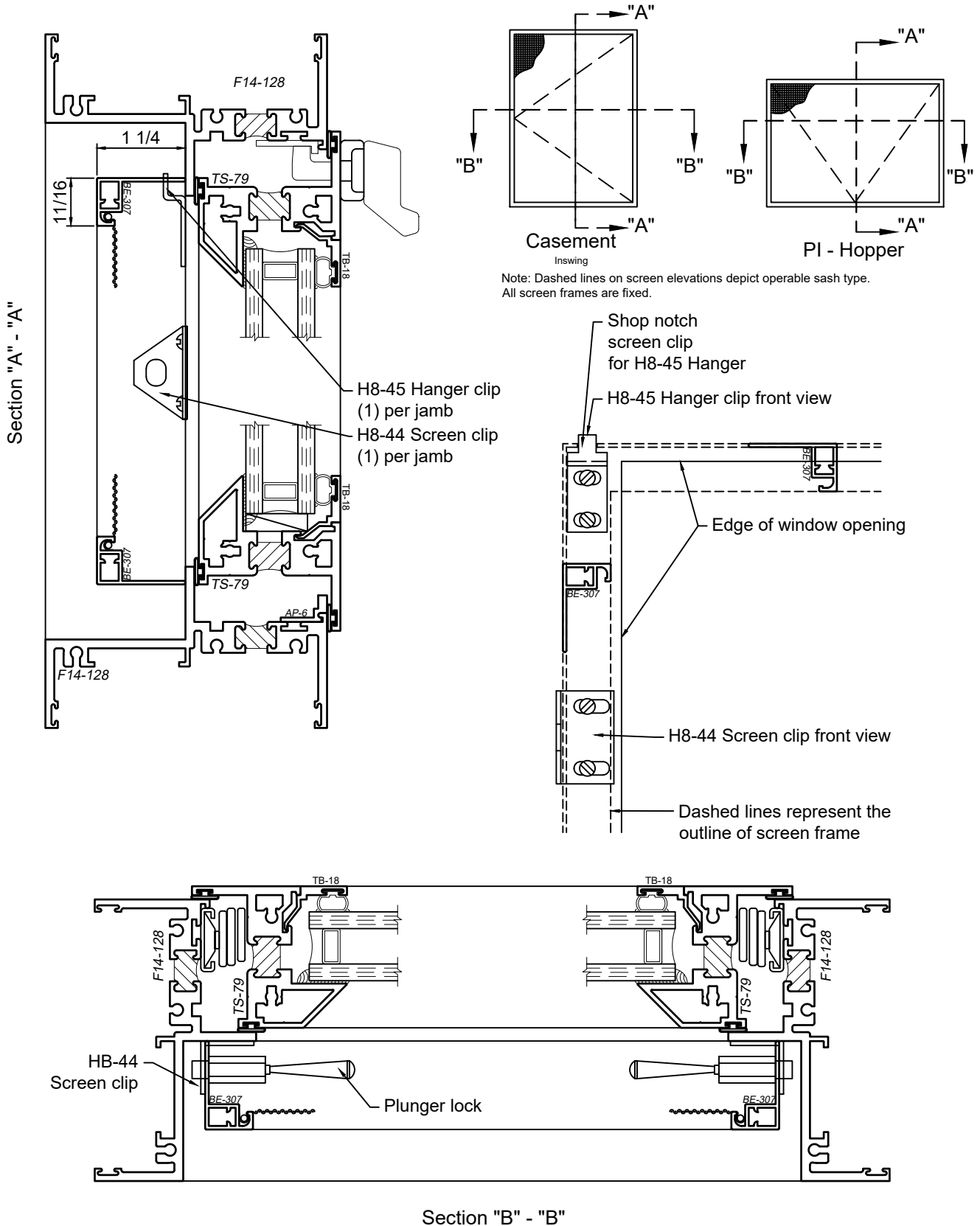
Section "B" - "B"

SCALE 6"=1'-0"

4" Thermal Hung Replica and Slider Replica Windows Product Details - Screen Options - PI Hopper [Putty Glazed]



Note: Typical vent screen details shown. Winco reserves the right to alter the screen attachment detail due to job specific sizing and hardware. If you have specific screen applications you would like to see please contact your local Winco Sales Representative for more information.



WINCO RESERVES THE RIGHT TO MODIFY OR CHANGE INFORMATION WITHIN THIS BOOK WHEN DEEMED NECESSARY FOR PRODUCT IMPROVEMENT

© WINCO WINDOW COMPANY, INC. 2021

SCALE 6"=1'-0"

4" Thermal Hung Replica and Slider Replica Windows

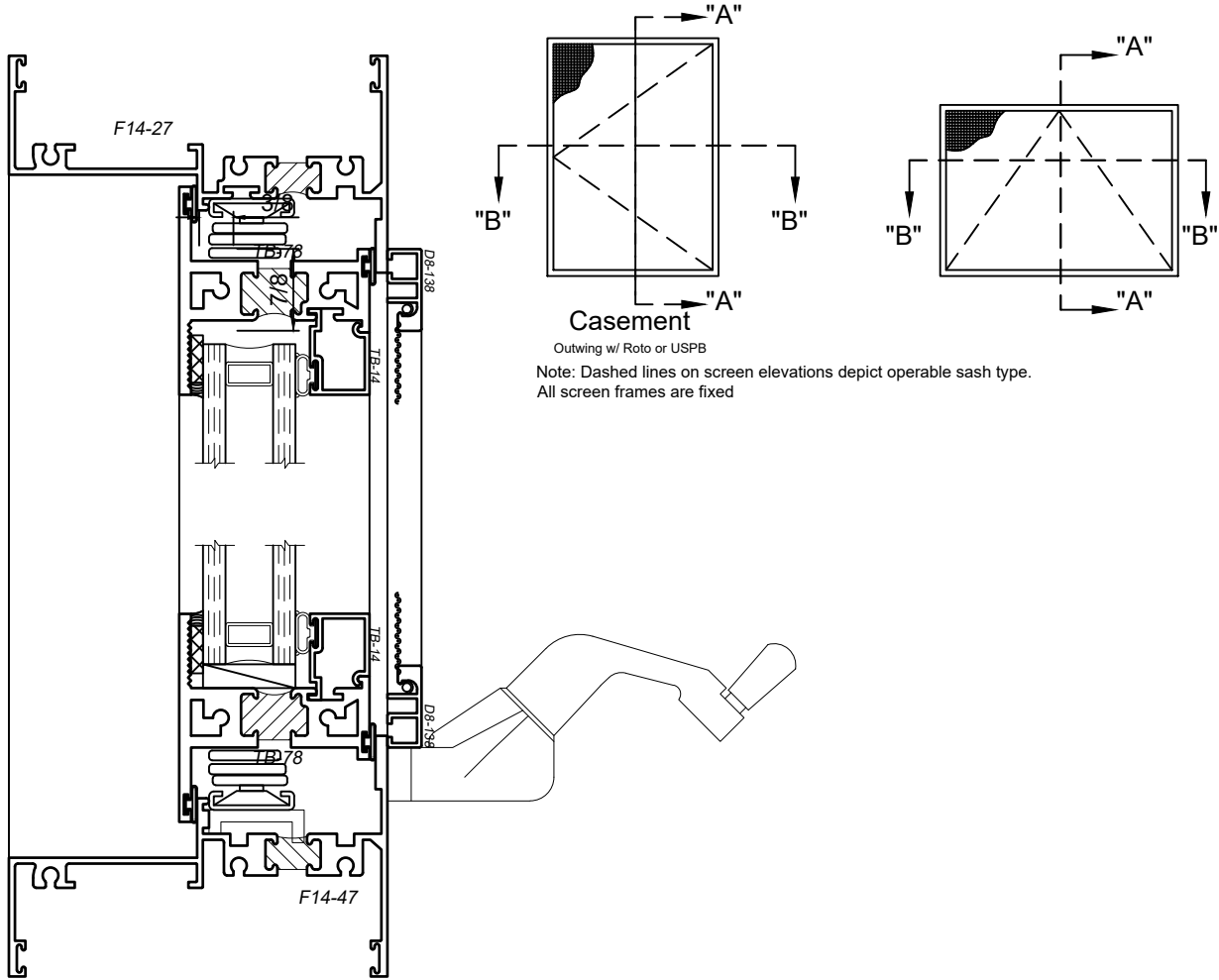
Product Details - Screen Options - PO w/ Roto Operator [Flat Glazed]



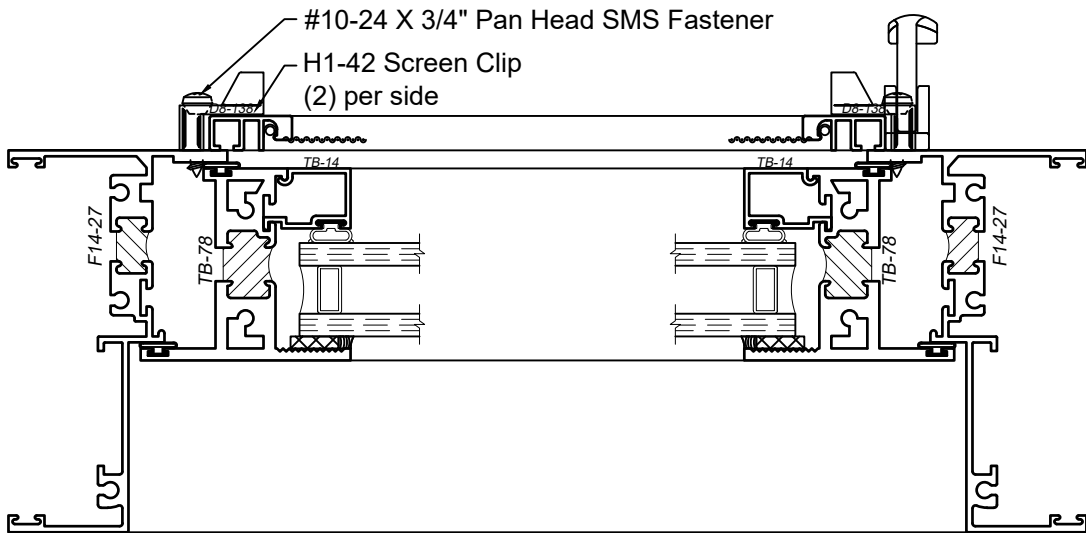
Note: Typical vent screen details shown. Winco reserves the right to alter the screen attachment detail due to job specific sizing and hardware. If you have specific screen applications you would like to see please contact your local Winco Sales Representative for more information.

WINCO RESERVES THE RIGHT TO MODIFY OR CHANGE INFORMATION WITHIN THIS BOOK WHEN DEEMED NECESSARY FOR PRODUCT IMPROVEMENT

Section "A" - "A"



© WINCO WINDOW COMPANY, INC. 2021



Section "B" - "B"

SCALE 6"=1'-0"

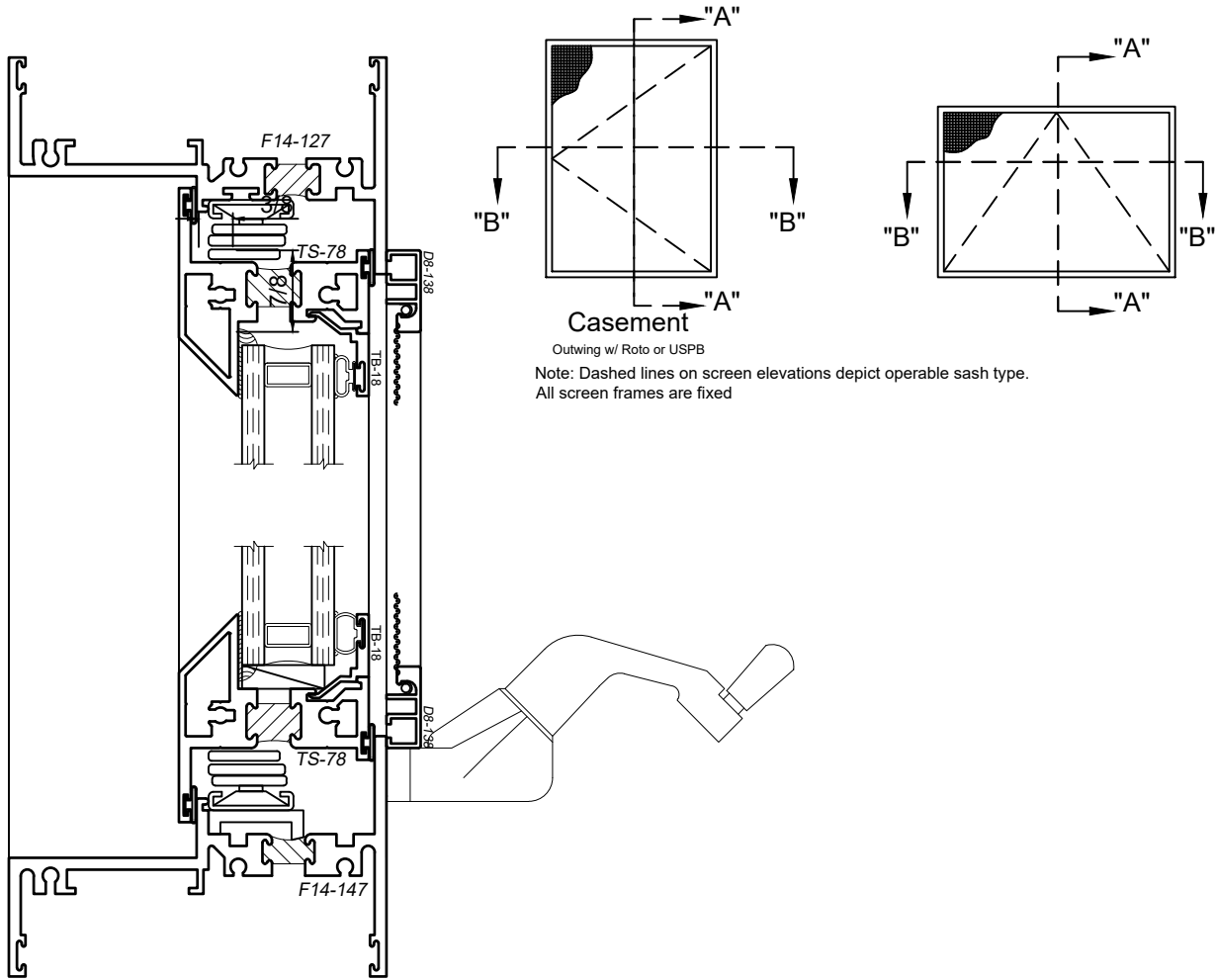
4" Thermal Hung Replica and Slider Replica Windows

Product Details - Screen Options - PO w/ Roto Operator [Putty Glazed]

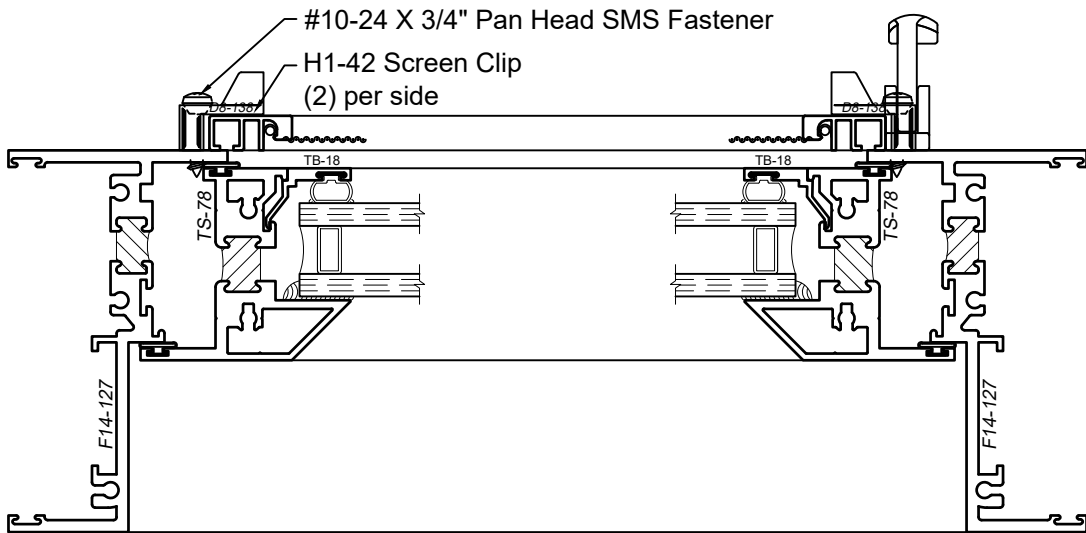


Note: Typical vent screen details shown. Winco reserves the right to alter the screen attachment detail due to job specific sizing and hardware. If you have specific screen applications you would like to see please contact your local Winco Sales Representative for more information.

Section "A" - "A"



WINCO RESERVES THE RIGHT TO MODIFY OR CHANGE INFORMATION WITHIN THIS BOOK WHEN DEEMED NECESSARY FOR PRODUCT IMPROVEMENT



Section "B" - "B"

SCALE 6"=1'-0"

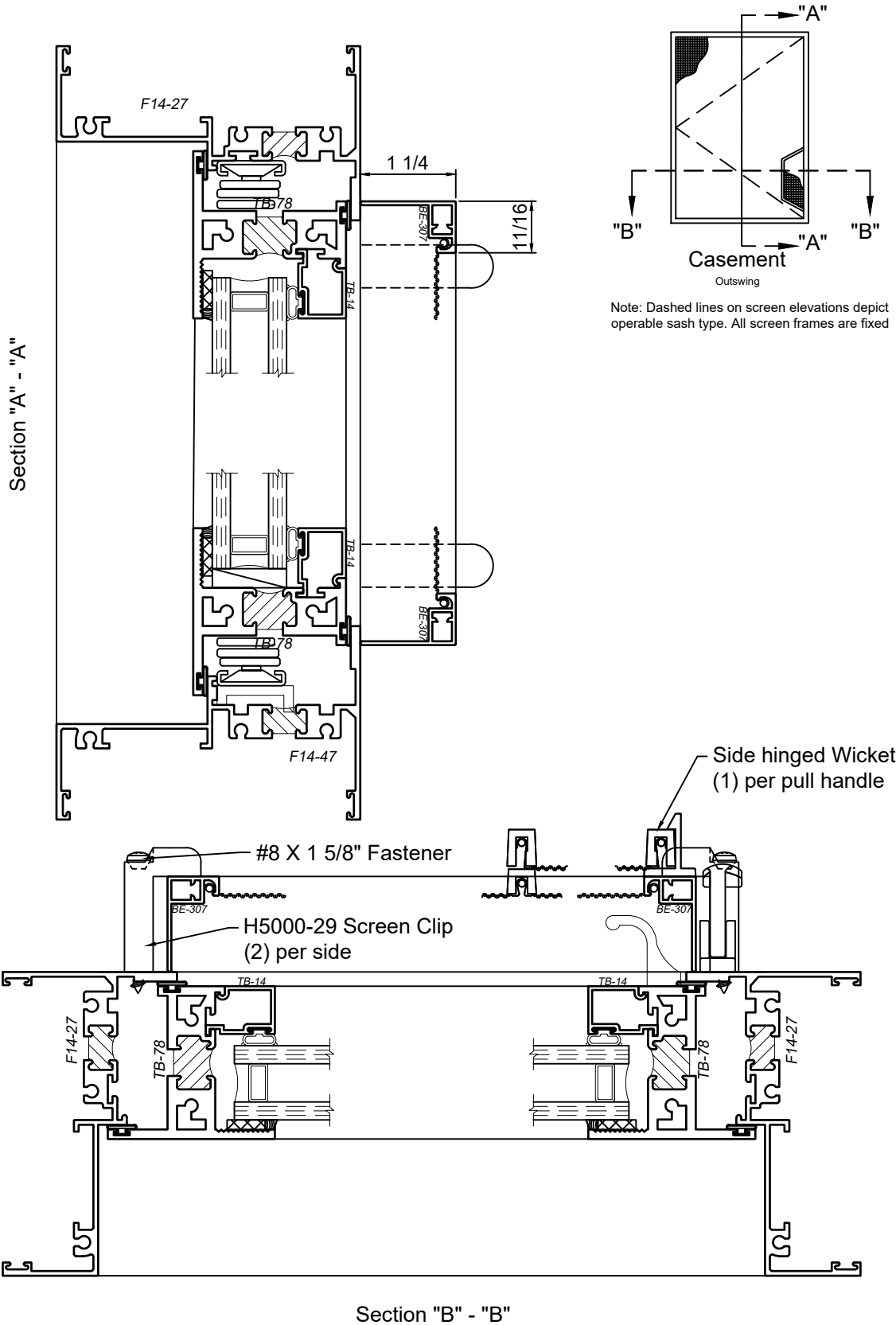
4" Thermal Hung Replica and Slider Replica Windows

Product Details - Screen Options - Outswing Casement [Flat Glazed]



Note: Typical vent screen details shown. Winco reserves the right to alter the screen attachment detail due to job specific sizing and hardware. If you have specific screen applications you would like to see please contact your local Winco Sales Representative for more information.

WINCO RESERVES THE RIGHT TO MODIFY OR CHANGE INFORMATION WITHIN THIS BOOK WHEN DEEMED NECESSARY FOR PRODUCT IMPROVEMENT



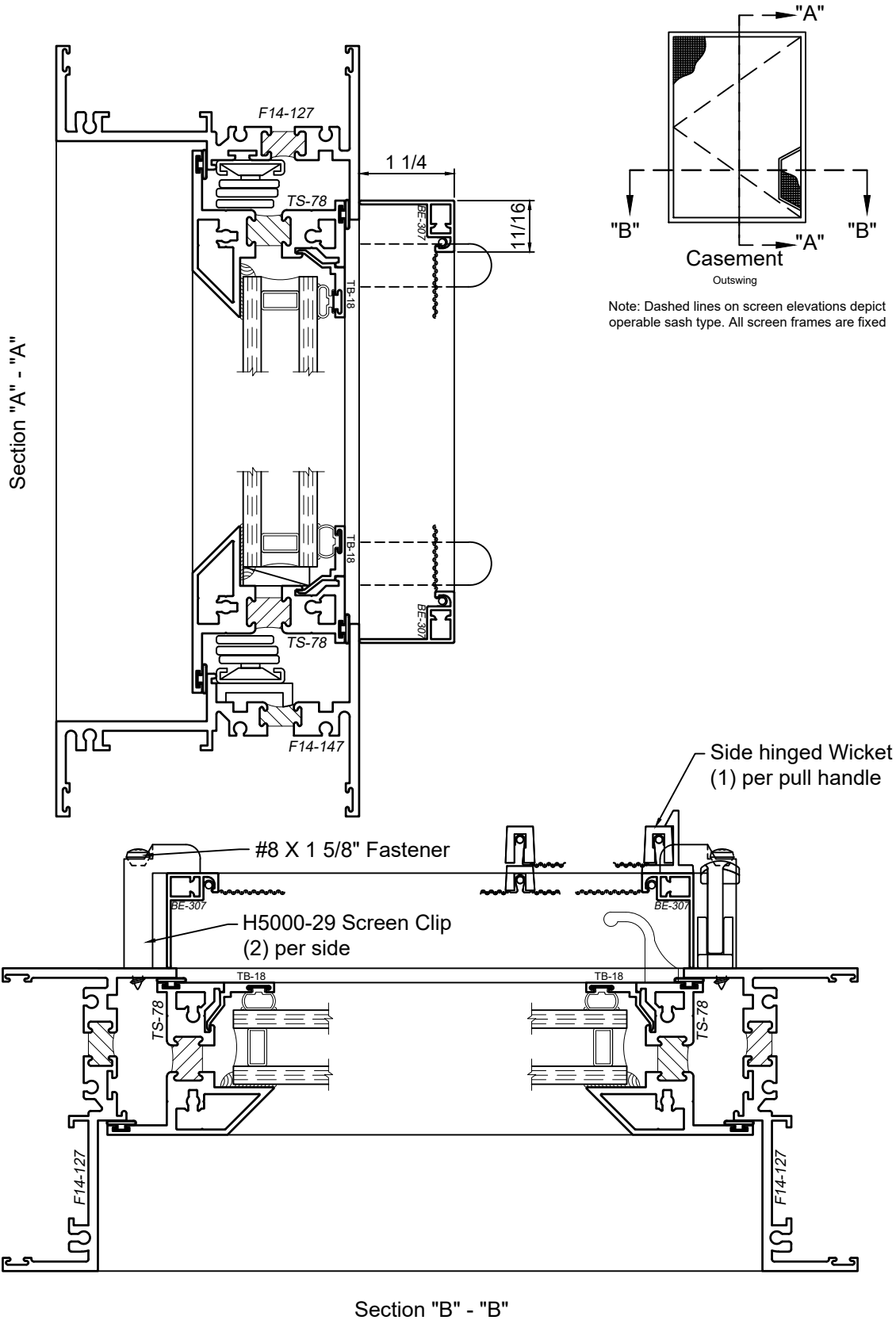
SCALE 6"=1'-0"

4" Thermal Hung Replica and Slider Replica Windows

Product Details - Screen Options - Outswing Casement [Putty Glazed]



Note: Typical vent screen details shown. Winco reserves the right to alter the screen attachment detail due to job specific sizing and hardware. If you have specific screen applications you would like to see please contact your local Winco Sales Representative for more information.



WINCO RESERVES THE RIGHT TO MODIFY OR CHANGE INFORMATION WITHIN THIS BOOK WHEN DEEMED NECESSARY FOR PRODUCT IMPROVEMENT

© WINCO WINDOW COMPANY, INC. 2021

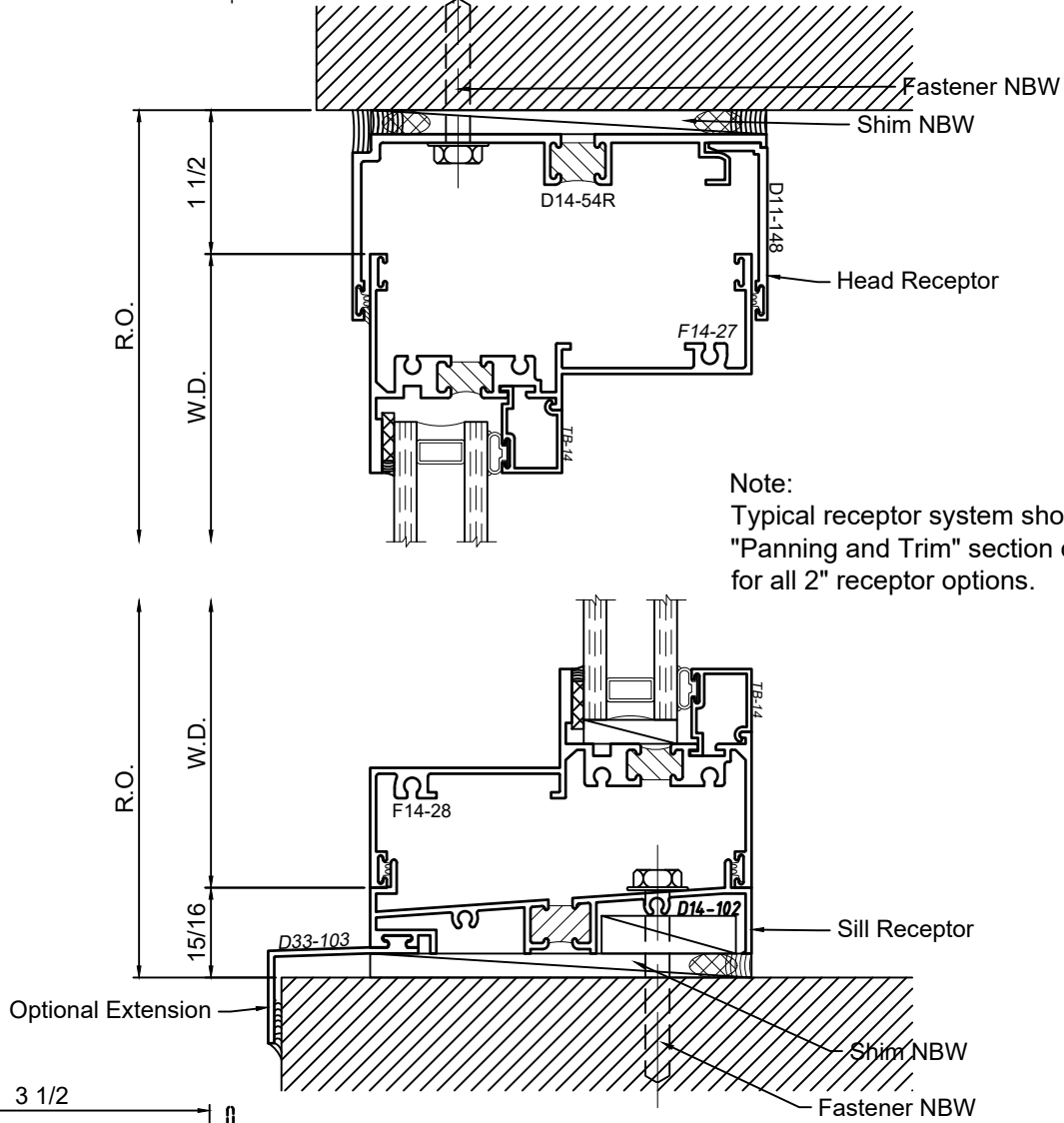
SCALE 6"=1'-0"

4" Thermal Hung Replica and Slider Replica Windows Product Details - Trim - Receptor Installation



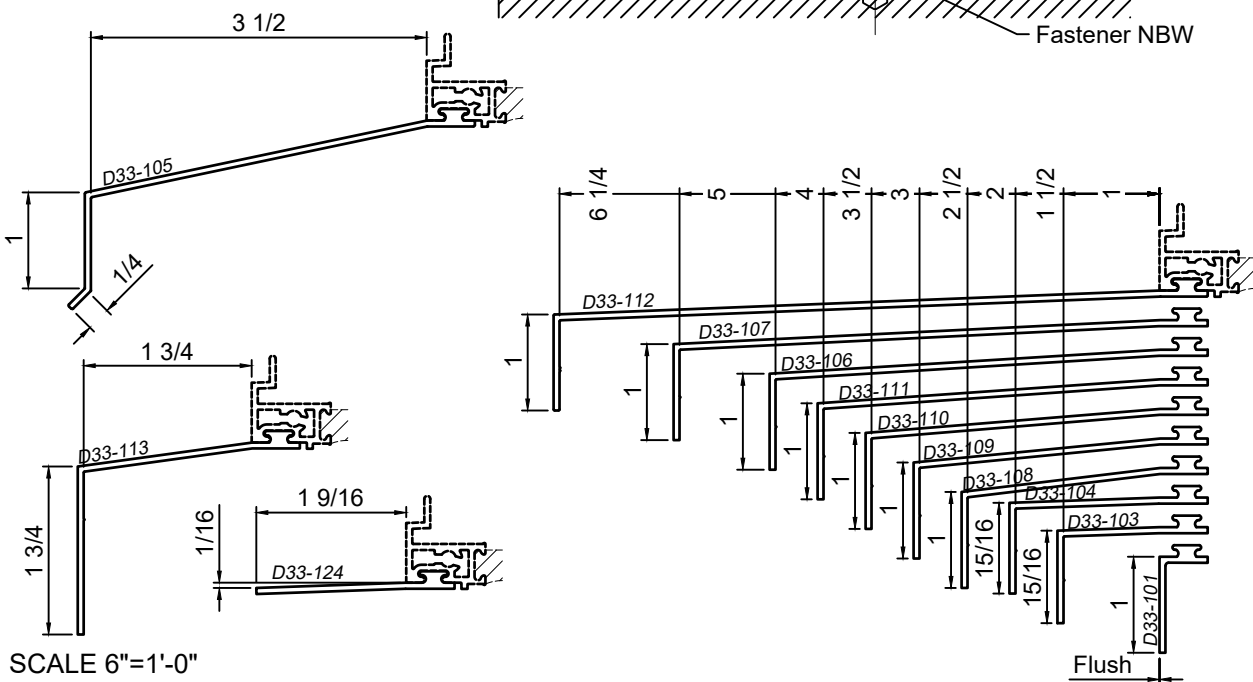
Note: See Winco Installation Instructions for a detailed description of installation notes and procedures.

WINCO RESERVES THE RIGHT TO MODIFY OR CHANGE INFORMATION WITHIN THIS BOOK WHEN DEEMED NECESSARY FOR PRODUCT IMPROVEMENT



Note:
Typical receptor system shown. Refer to "Panning and Trim" section of detail binder for all 2" receptor options.

© WINCO WINDOW COMPANY, INC. 2021

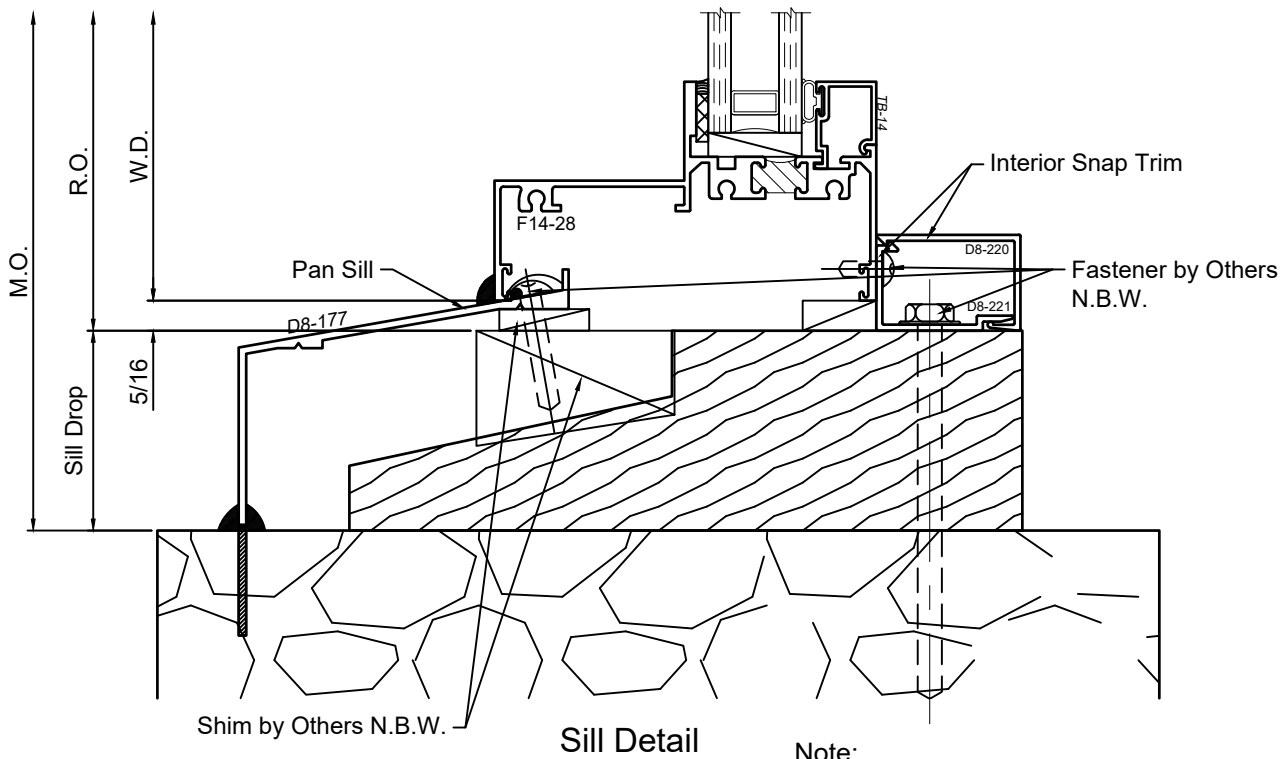
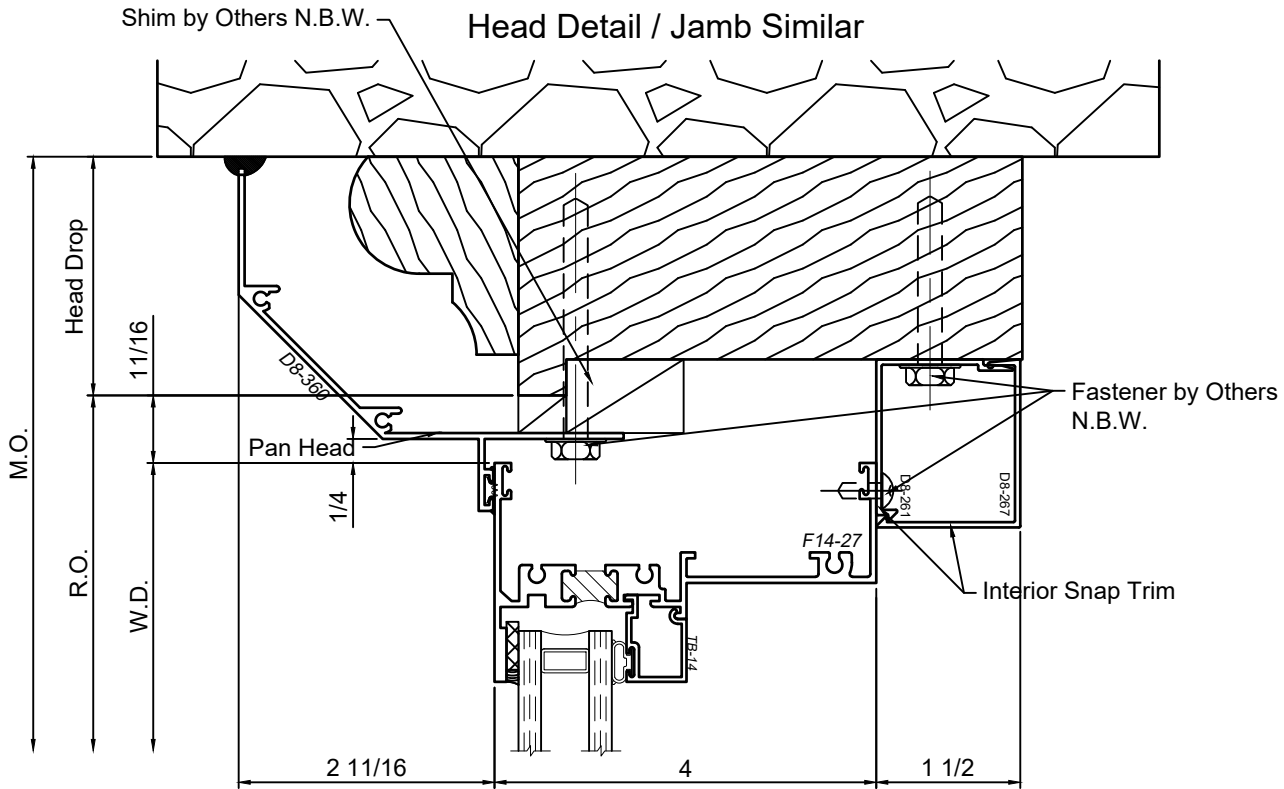


SCALE 6"=1'-0"

4" Thermal Hung Replica and Slider Replica Windows Product Details - Trim - Panning Installation



Note: See Winco Installation Instructions for a detailed description of installation notes and procedures.



Note:
Typical panning system shown. Refer to "Panning and Trim" section of detail binder for all panning and interior snap trim options

WINCO RESERVES THE RIGHT TO MODIFY OR CHANGE INFORMATION WITHIN THIS BOOK WHEN DEEMED NECESSARY FOR PRODUCT IMPROVEMENT

© WINCO WINDOW COMPANY, INC. 2021

SCALE 6"=1'-0"

4" Thermal Hung Replica and Slider Replica Windows

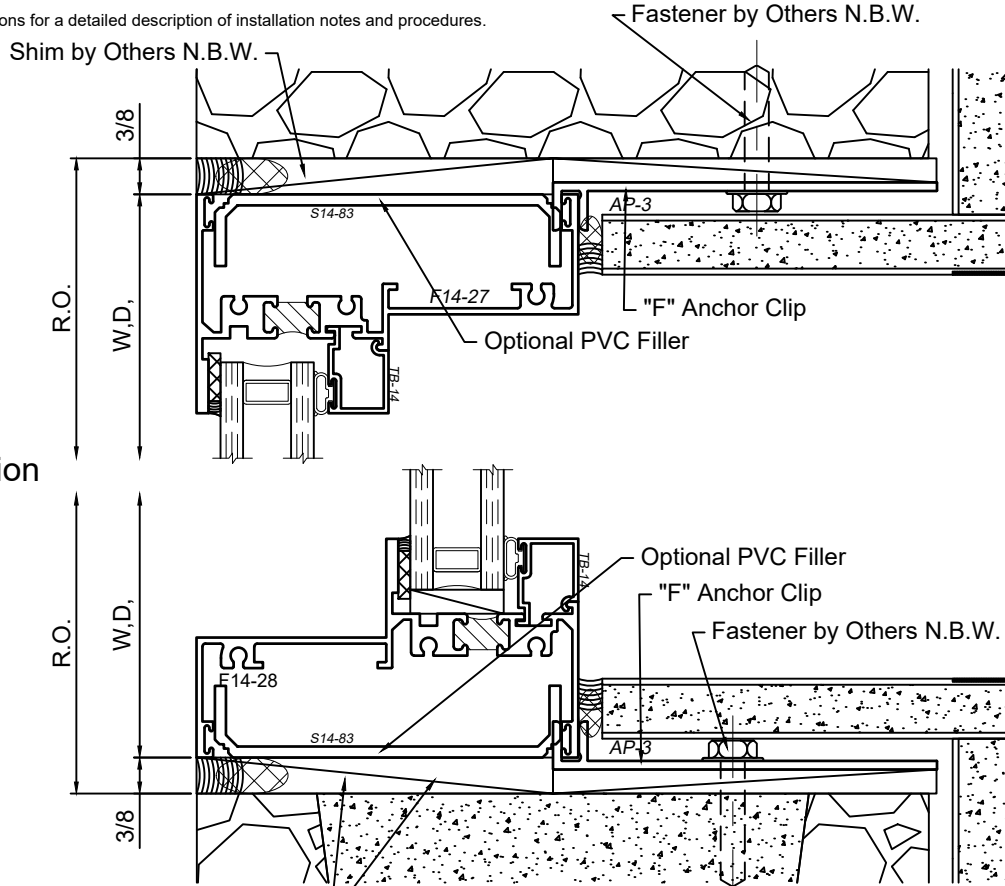
Product Details - Trim - F-Anchor and Snap Trim Installation



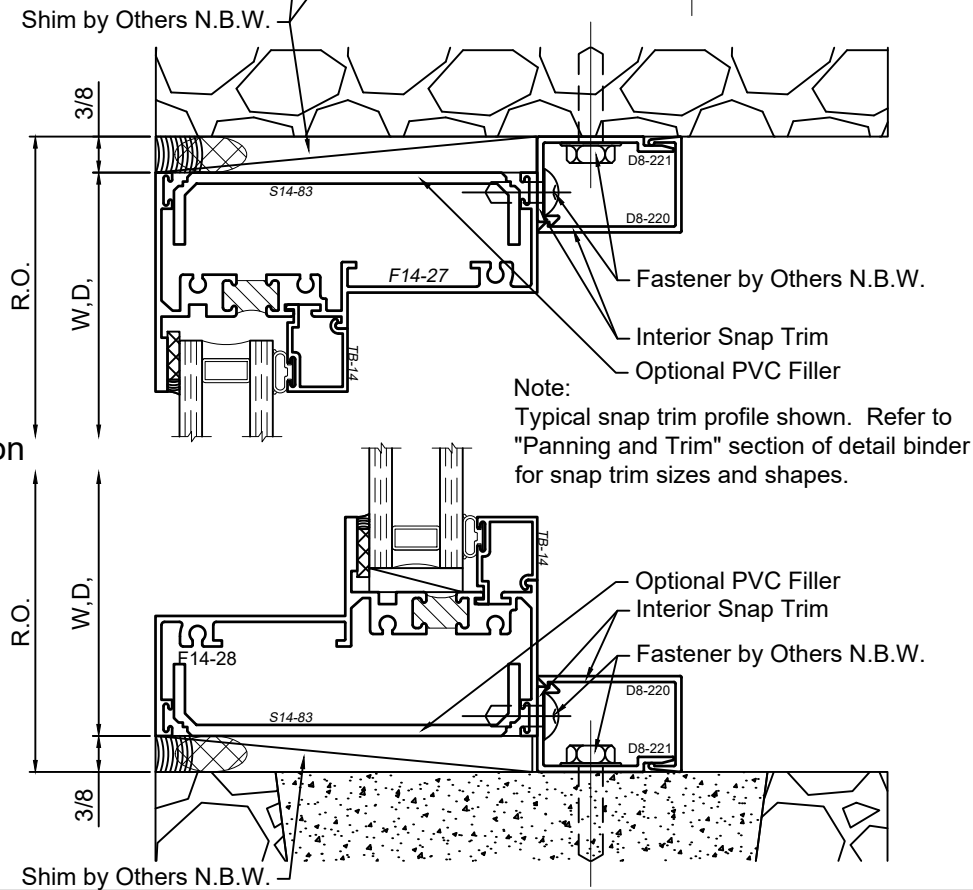
Note: See Winco Installation Instructions for a detailed description of installation notes and procedures.

WINCO RESERVES THE RIGHT TO MODIFY OR CHANGE INFORMATION WITHIN THIS BOOK WHEN DEEMED NECESSARY FOR PRODUCT IMPROVEMENT

"F" Clip Installation



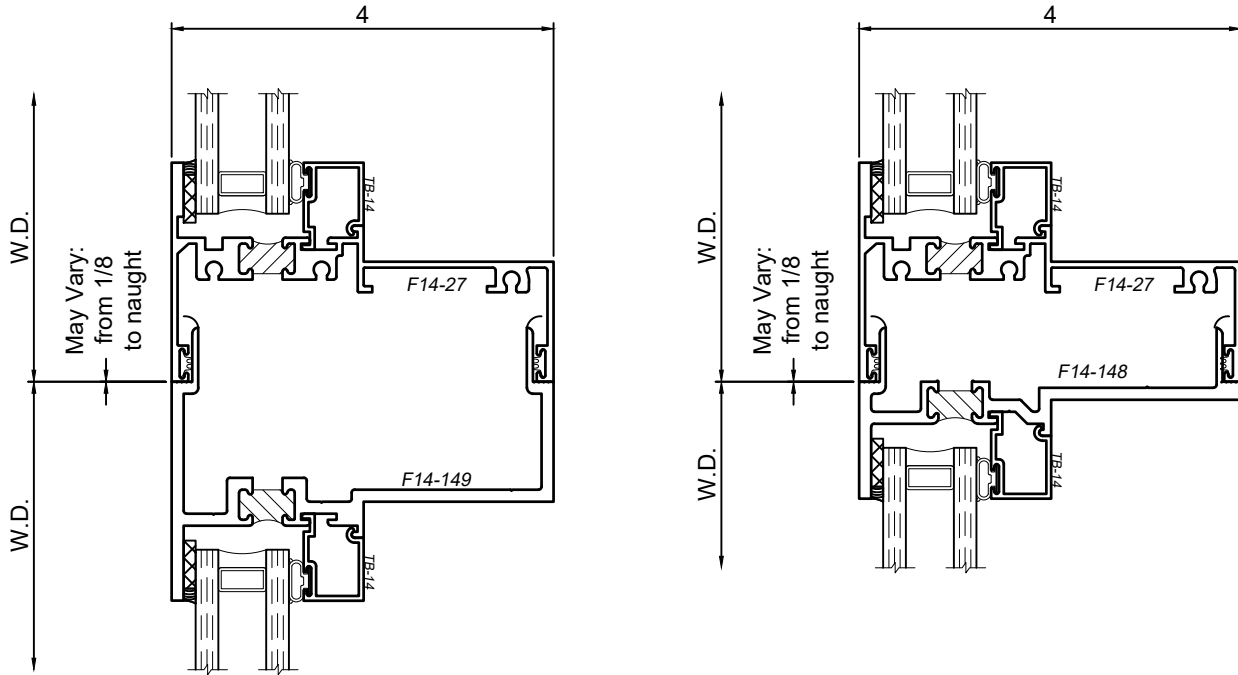
Snap Trim Installation



SCALE 6"=1'-0"

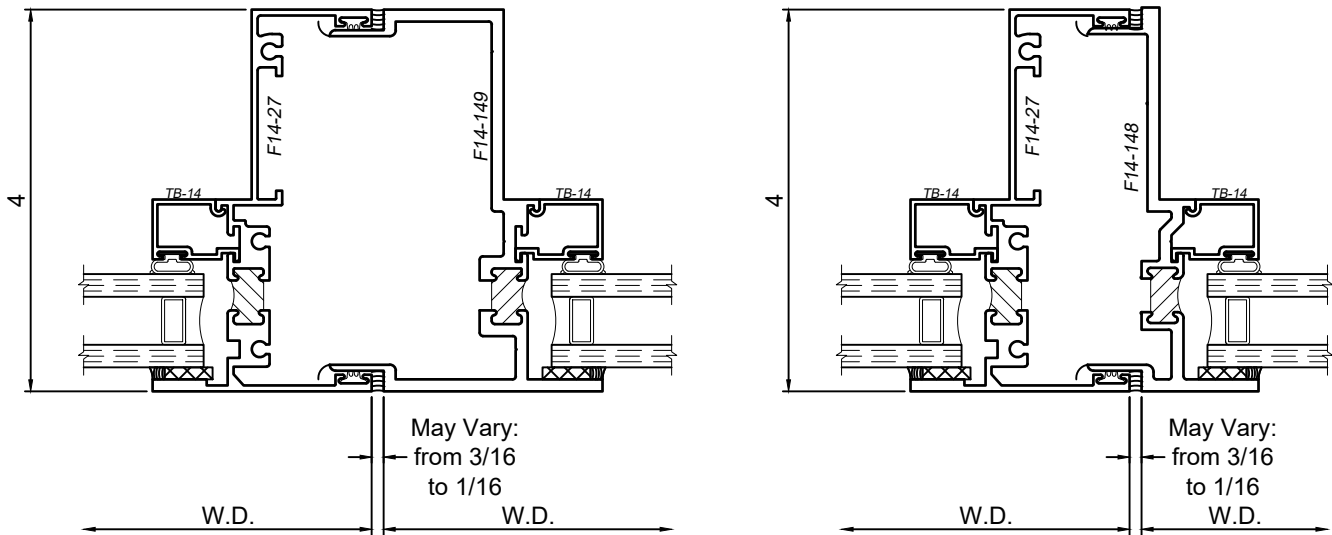
© WINCO WINDOW COMPANY, INC. 2021

Hung Replicas can only be horizontally stacked



WINCO RESERVES THE RIGHT TO MODIFY OR CHANGE INFORMATION WITHIN THIS BOOK WHEN DEEMED NECESSARY FOR PRODUCT IMPROVEMENT

Slider Replicas can only be side stacked

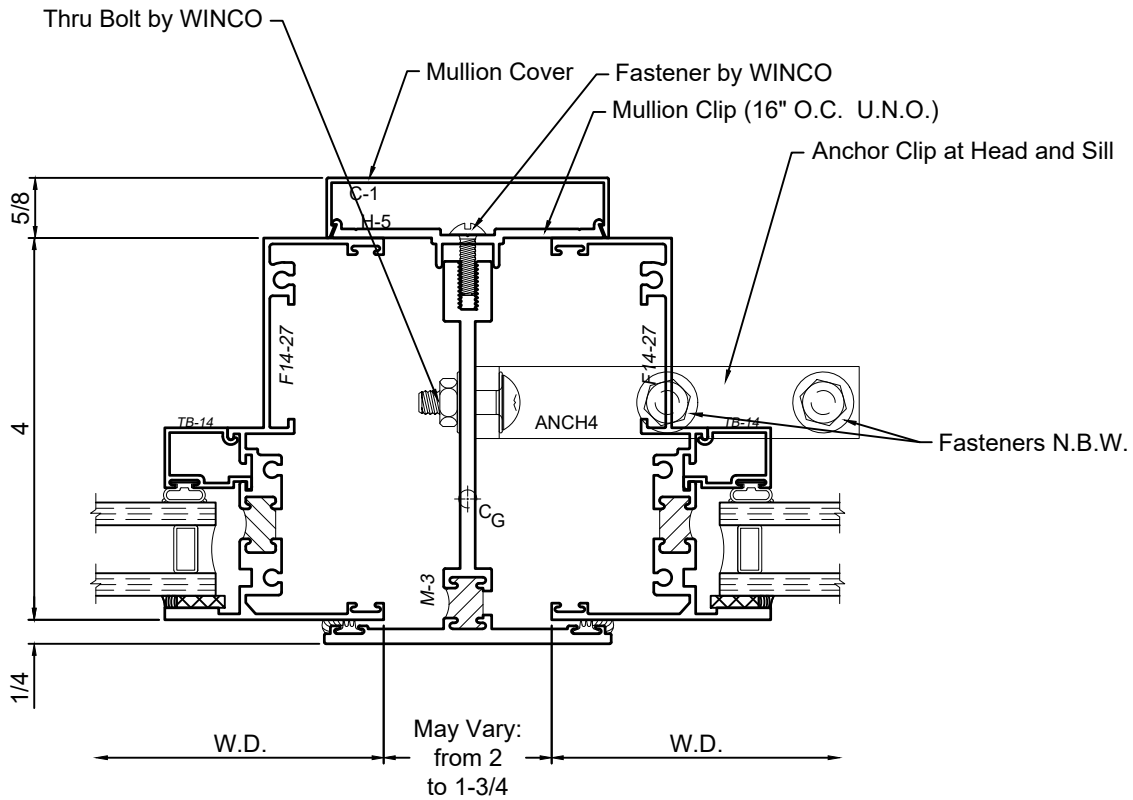


© WINCO WINDOW COMPANY, INC. 2021

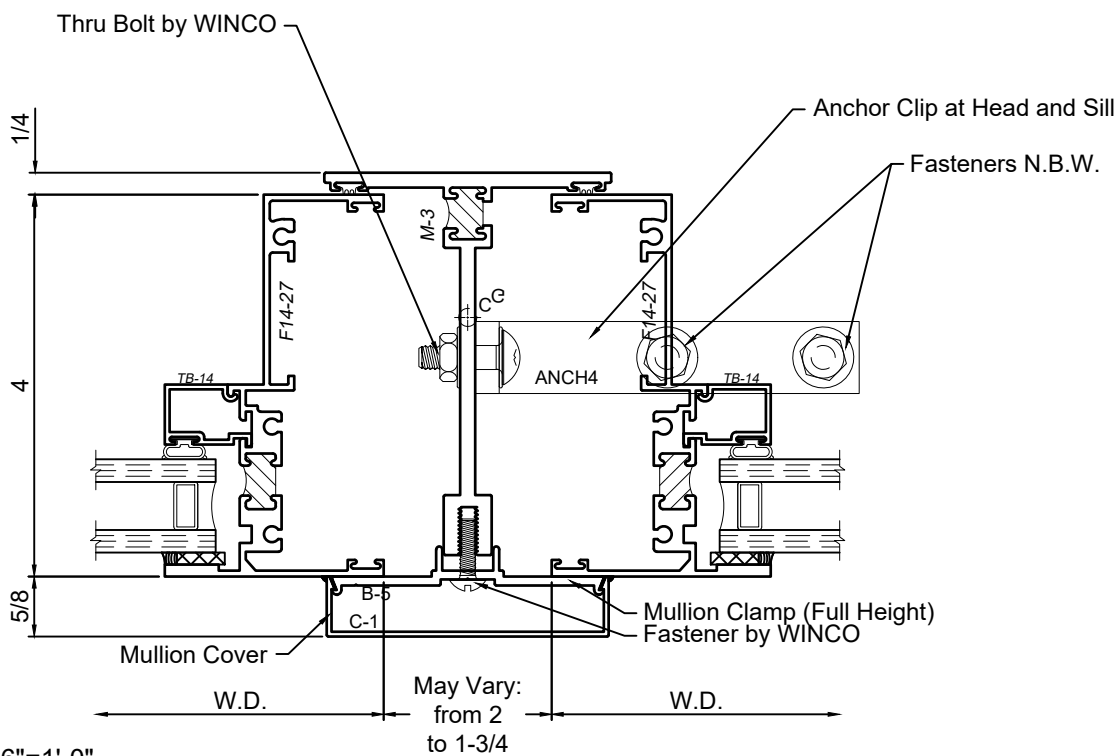
SCALE 6"=1'-0"

4" Thermal Hung Replica and Slider Replica Windows Product Details - Trim - Mullion

M-3 Mullion set from Building Interior



M-3 Mullion set from Building Exterior

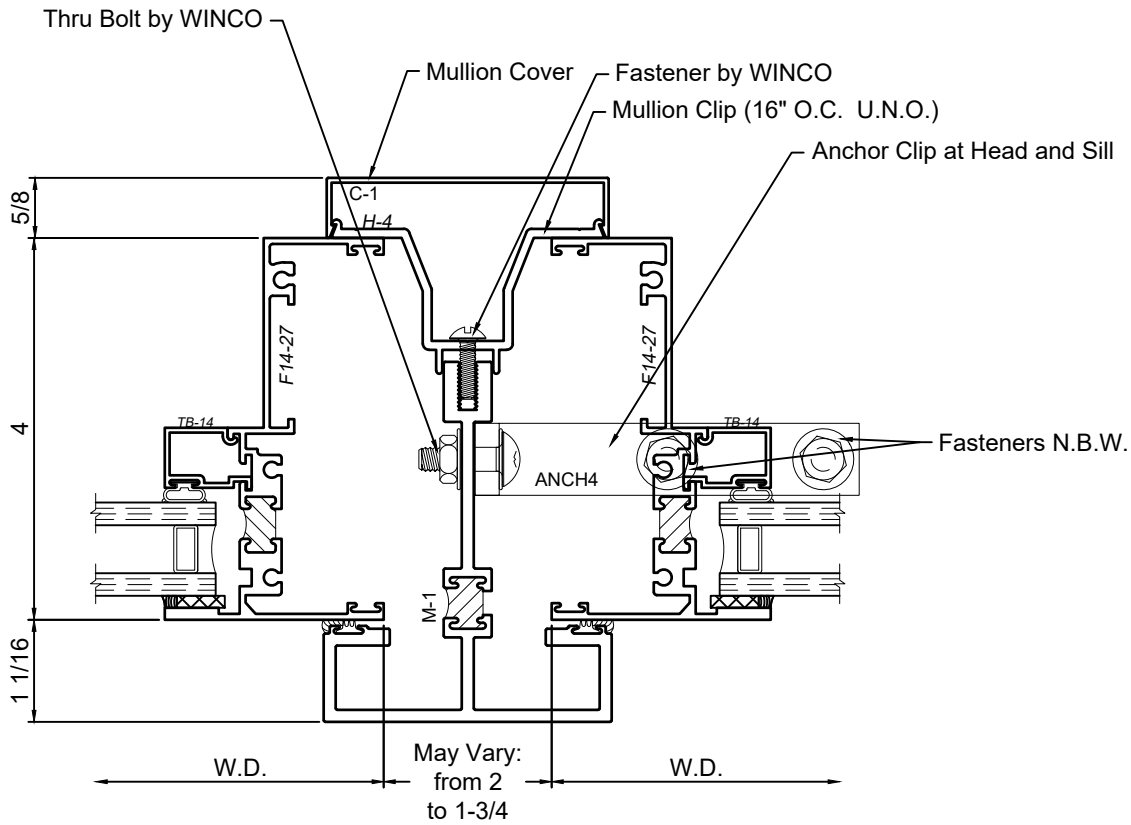


SCALE 6"=1'-0"

WINCO RESERVES THE RIGHT TO MODIFY OR CHANGE INFORMATION WITHIN THIS BOOK WHEN DEEMED NECESSARY FOR PRODUCT IMPROVEMENT

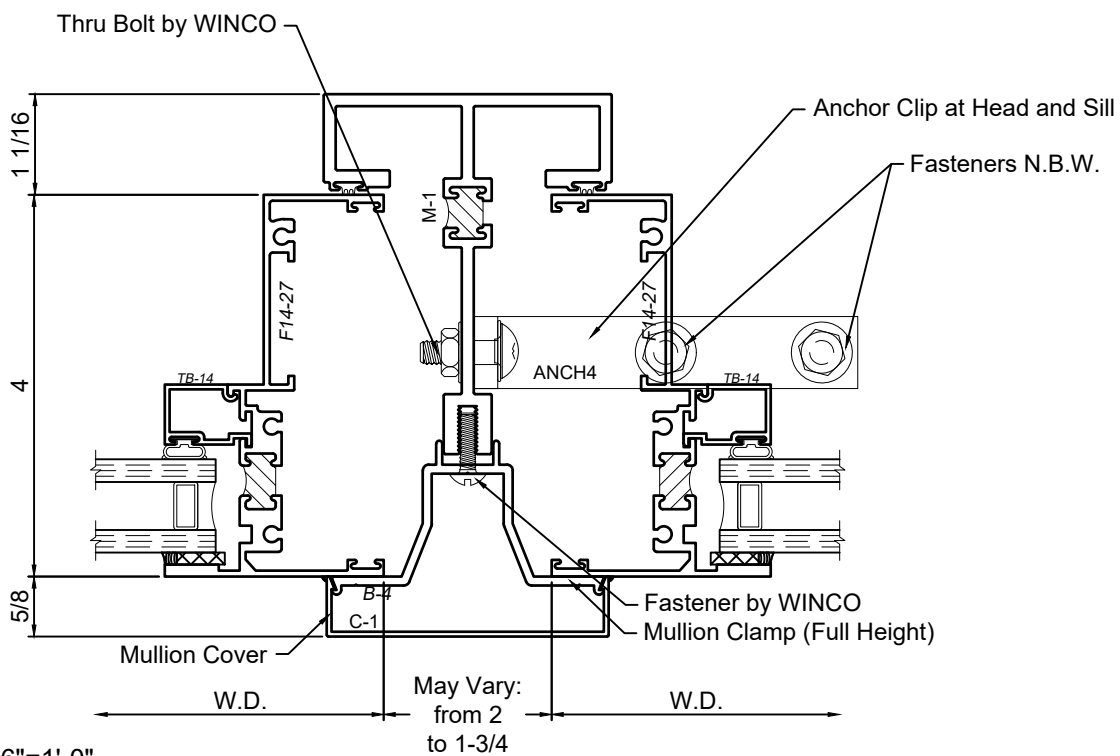
© WINCO WINDOW COMPANY, INC. 2021

M-1 Mullion set from Building Interior



WINCO RESERVES THE RIGHT TO MODIFY OR CHANGE INFORMATION WITHIN THIS BOOK WHEN DEEMED NECESSARY FOR PRODUCT IMPROVEMENT

M-1 Mullion set from Building Exterior



© WINCO WINDOW COMPANY, INC. 2021

SCALE 6"=1'-0"

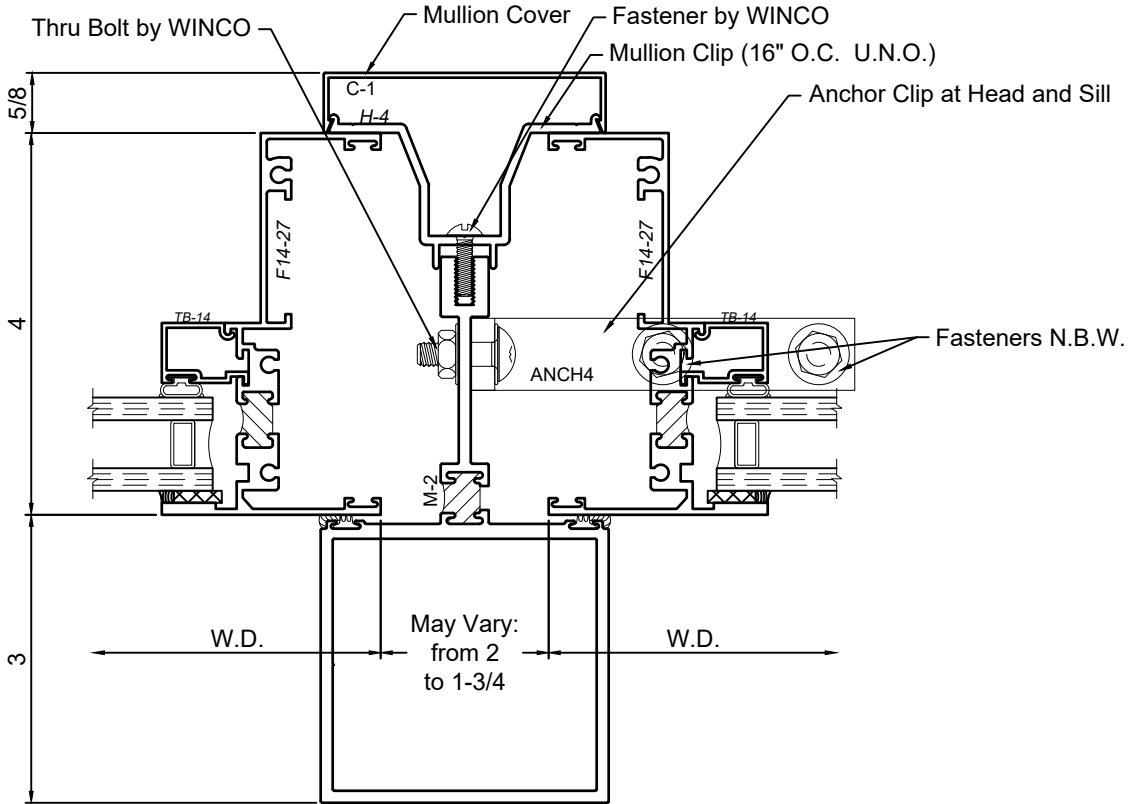
4" Thermal Hung Replica and Slider Replica Windows

Product Details - Trim - Mullion

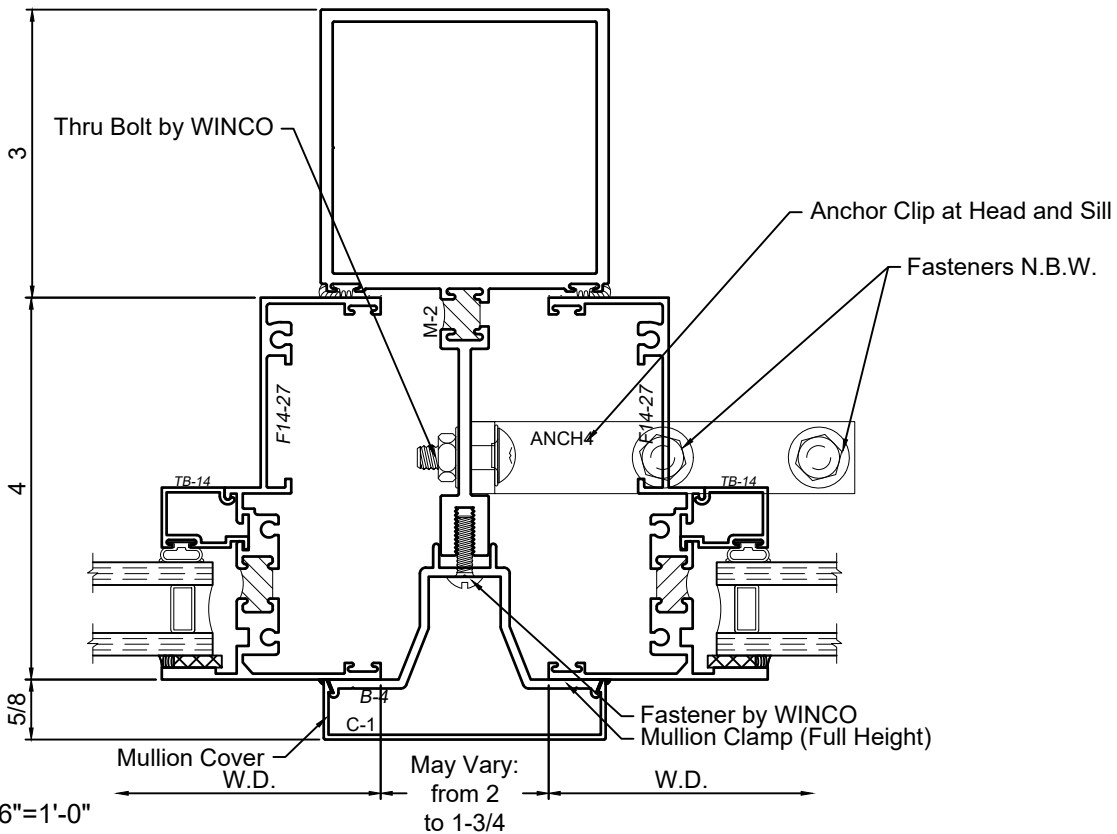


WINCO RESERVES THE RIGHT TO MODIFY OR CHANGE INFORMATION WITHIN THIS BOOK WHEN DEEMED NECESSARY FOR PRODUCT IMPROVEMENT

M-2 Mullion set from Building Interior



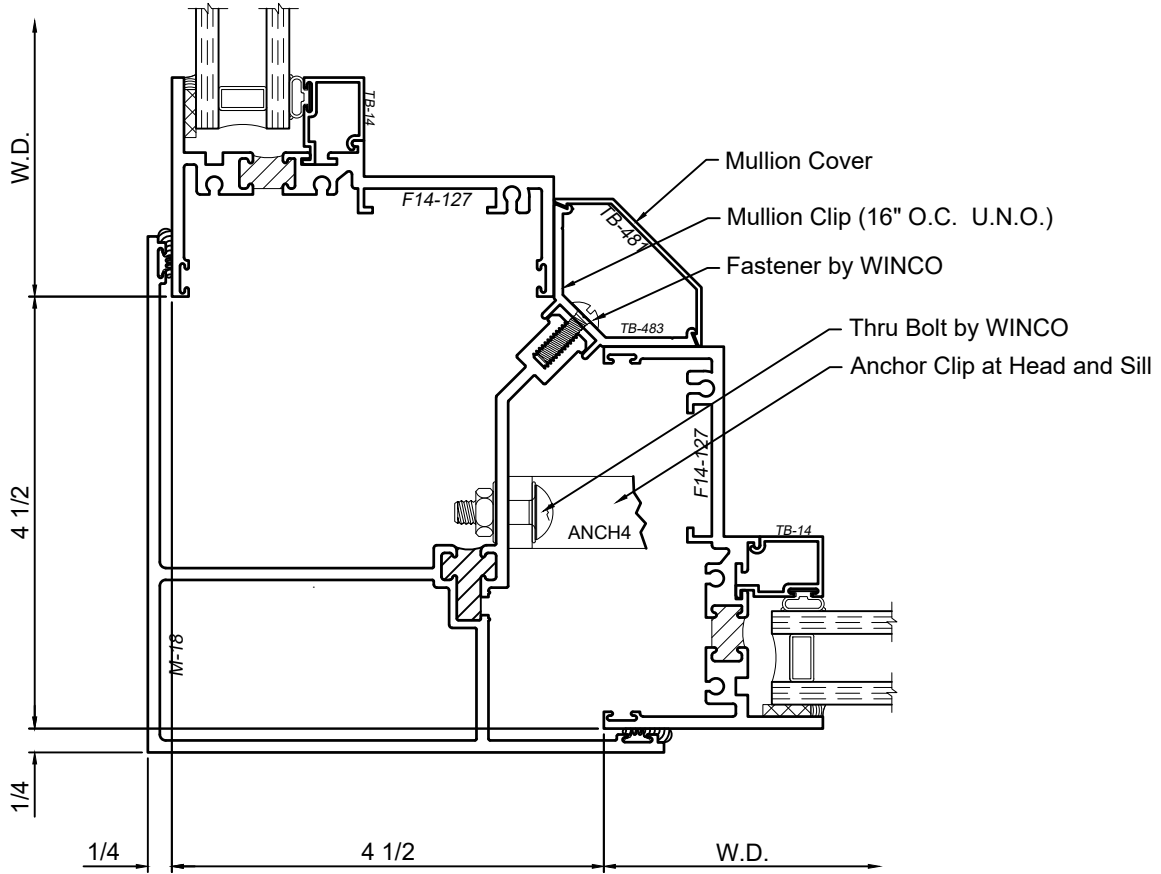
M-2 Mullion set from Building Exterior



SCALE 6"=1'-0"

© WINCO WINDOW COMPANY, INC. 2021

M-18 90° Corner Mullion



WINCO RESERVES THE RIGHT TO MODIFY OR CHANGE INFORMATION WITHIN THIS BOOK WHEN DEEMED NECESSARY FOR PRODUCT IMPROVEMENT

© WINCO WINDOW COMPANY, INC. 2021

SCALE 6"=1'-0"

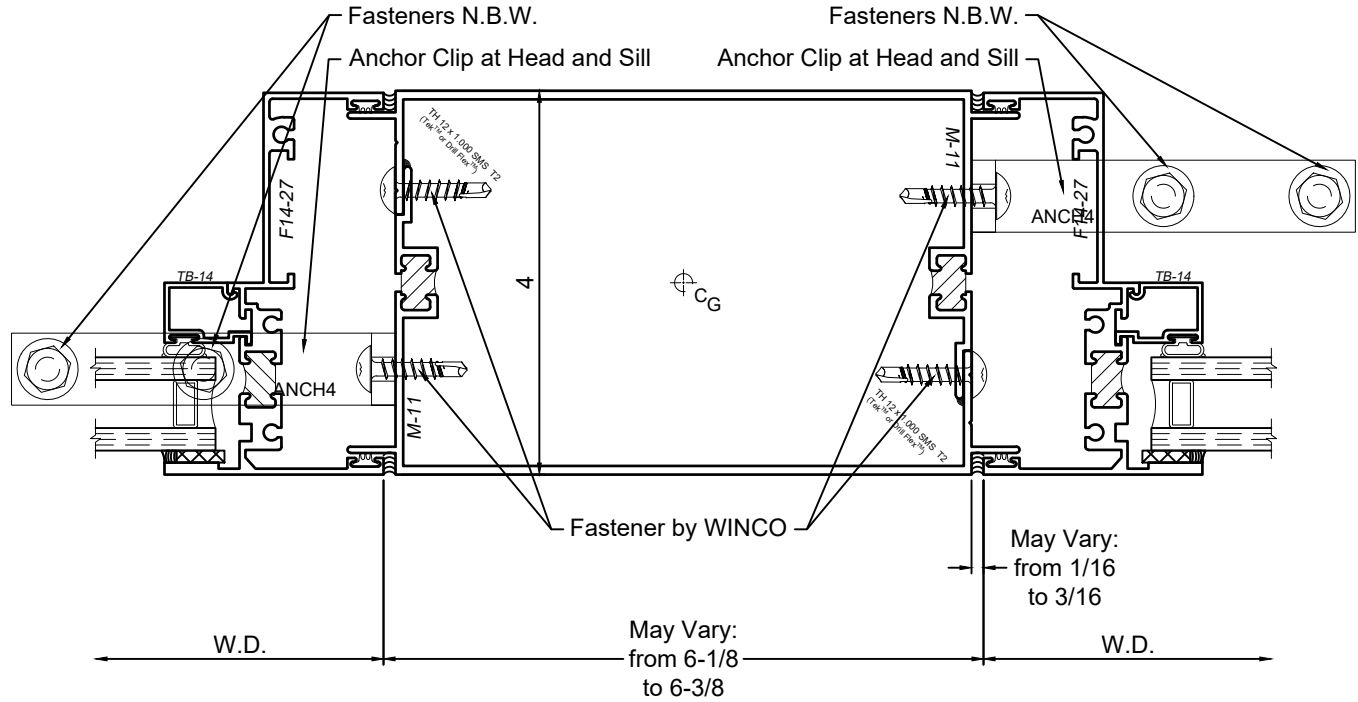
4" Thermal Hung Replica and Slider Replica Windows Product Details - Trim - Mullion (Special Application)



M-11 Mullion

Recommended usage only with Jamb Receptor for installation clearances

WINCO RESERVES THE RIGHT TO MODIFY OR CHANGE INFORMATION WITHIN THIS BOOK WHEN DEEMED NECESSARY FOR PRODUCT IMPROVEMENT



© WINCO WINDOW COMPANY, INC. 2021

SCALE 6"=1'-0"

4" Thermal Hung Replica and Slider Replica Windows Product Details - Trim -



WINCO RESERVES THE RIGHT TO MODIFY OR CHANGE INFORMATION WITHIN
THIS BOOK WHEN DEEMED NECESSARY FOR PRODUCT IMPROVEMENT

This page is purposely left blank

© WINCO WINDOW COMPANY, INC. 2021

SCALE 6"=1'-0"

HR-SR / T / 10

(800) 525-8089

www.wincowindow.com