

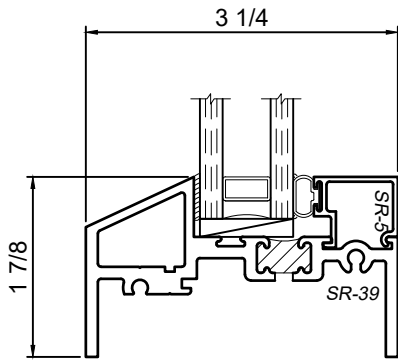
3250 Series 3-1/4" Thermal Fixed, Casement & Projected Windows

Product Details - Frame Options

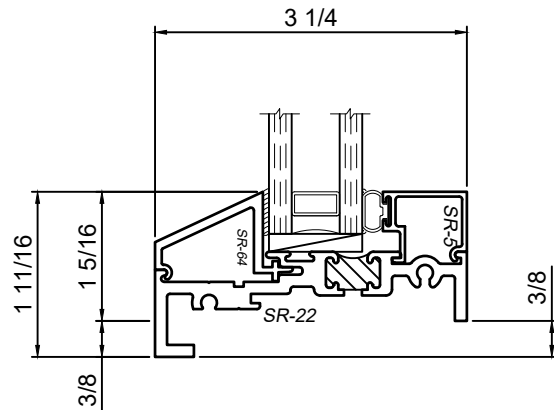


Note: Multiple configurations of this window system are available. Refer to the WINCO website for additional options or contact your local WINCO Sales Representative for information.

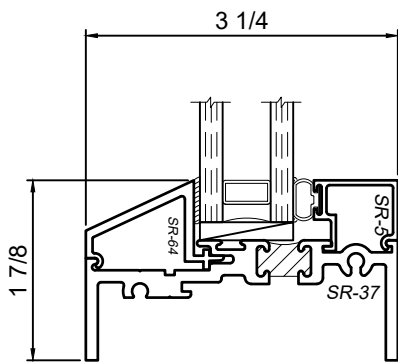
WINCO RESERVES THE RIGHT TO MODIFY OR CHANGE INFORMATION WITHIN THIS BOOK WHEN DEEMED NECESSARY FOR PRODUCT IMPROVEMENT



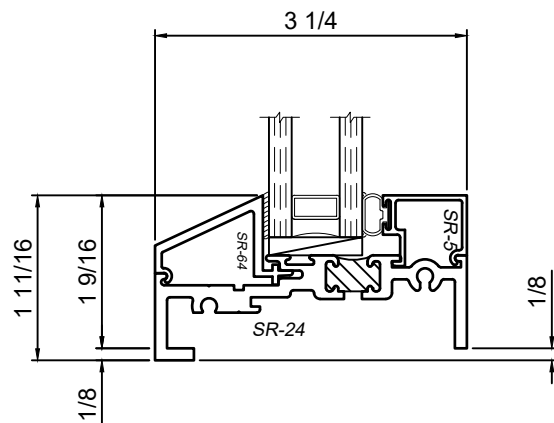
Available at head, jamb and sill
(Vent uses SR-37)



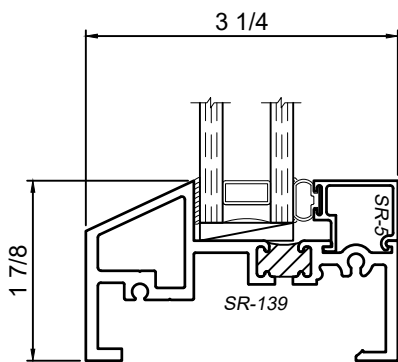
Available at head, jamb and sill



Available at head, jamb and sill
(Fully Fixed Units use SR-39)



Available at head, jamb and sill



Available at head, jamb and sill
(Available only for Fixed Units)

© WINCO WINDOW COMPANY, INC. 2021

SCALE 6"=1'-0"