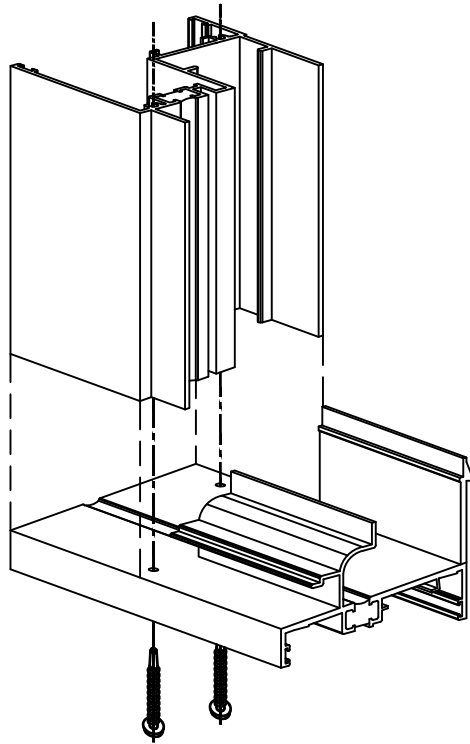


# 4410 Series 4" Thermal Fixed & Single Hung Windows

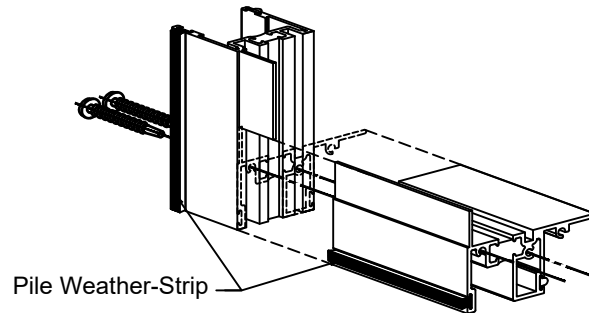
## Product Information



WINCO RESERVES THE RIGHT TO MODIFY OR CHANGE INFORMATION WITHIN THIS BOOK WHEN DEEMED NECESSARY FOR PRODUCT IMPROVEMENT



**(fig 1) Main Frame Construction**



**(fig 2) Sash Construction**

## GLAZING

The windows can be interior or exterior glazed with .050 thick extruded aluminum glazing beads accommodating thicknesses from 1/4" up to 1". Dual glazing is an option utilizing an interior panel sash with a take out sash. Venetian blinds are available with the dual glazed window option. See the quick reference chart below for all glazing options. For actual details refer to the glazing section in the back of the 4410 section for optional glazing and blind details.

Glazing Thickness	1/8"	3/16"	1/4"	5/16"	3/8"	1/2"	9/16"	5/8"	3/4"	7/8"	1"	1-1/4"	1-3/8"	1-1/2"
Monolithic	X	X	X	X	X	X	X	-	-	-	-	-	-	-
Insulated	-	-	-	-	-	-	-	X	-	X	X	-	-	-
Dual Glazed	Exterior	-	X	X	-	-	-	-	-	-	-	-	-	-
	Interior	X	X	X	-	-	-	-	-	-	-	-	-	-
Triple Glazed	Exterior	-	-	-	-	-	-	-	-	-	-	-	-	-
	Interior	-	-	-	-	-	-	-	-	-	-	-	-	-

Winco has different gaskets and glazing methods that can accommodate odd thicknesses of glass. If you do not see what you are looking for within this chart please contact your local representative for information regarding your specific project needs.

© WINCO WINDOW COMPANY, INC. 2020