

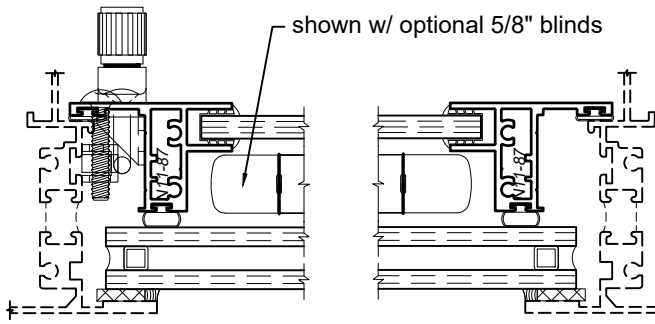
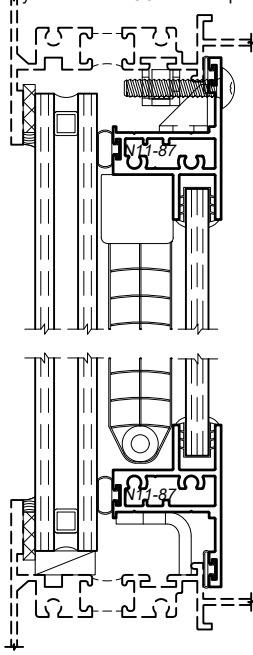
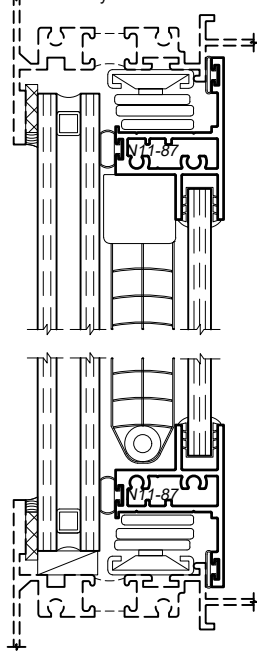
4" Thermal Hung Replica and Slider Replica Windows

Product Details - Tripple Glazed w/ Interior Sash -1450 Configuration

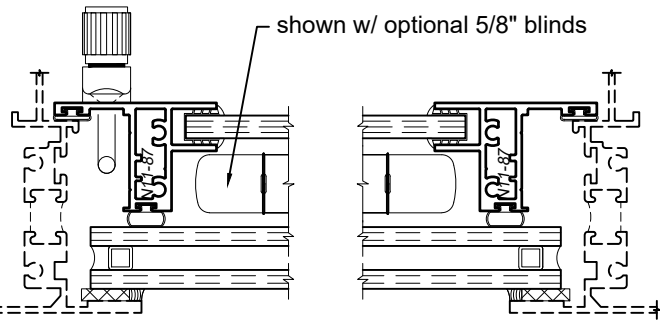


Note: Multiple configurations of this window system are available. Refer to the WINCO website for additional options or contact your local WINCO Sales Representative for information.

WINCO RESERVES THE RIGHT TO MODIFY OR CHANGE INFORMATION WITHIN THIS BOOK WHEN DEEMED NECESSARY FOR PRODUCT IMPROVEMENT

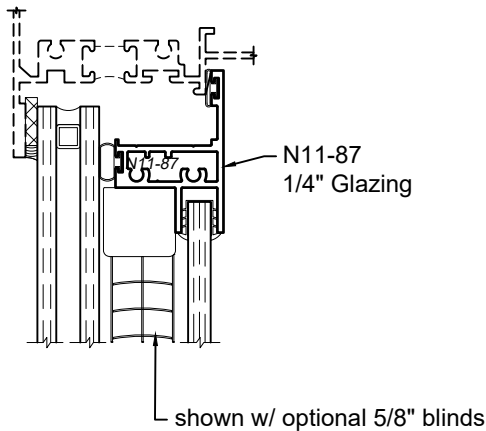


Triple Glazed w/ Hinged Sash - 85 Option



Triple Glazed w/ Take Out Sash - 95 Option

Triple Glazed Sash Options



S4-xx [Grand Park Center] is incompatible with Blind Access Sash design.
The options shown on this page only apply to F14-xx and RS-xx based window configurations.

SCALE 6"=1'-0"