

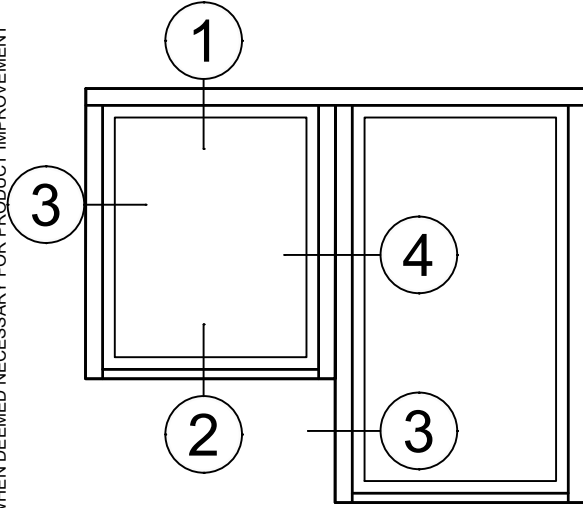
Receptor Sections - 3-1/2 Inch Windows

Product Details - Head / Jamb Receptors and Sub-Sills

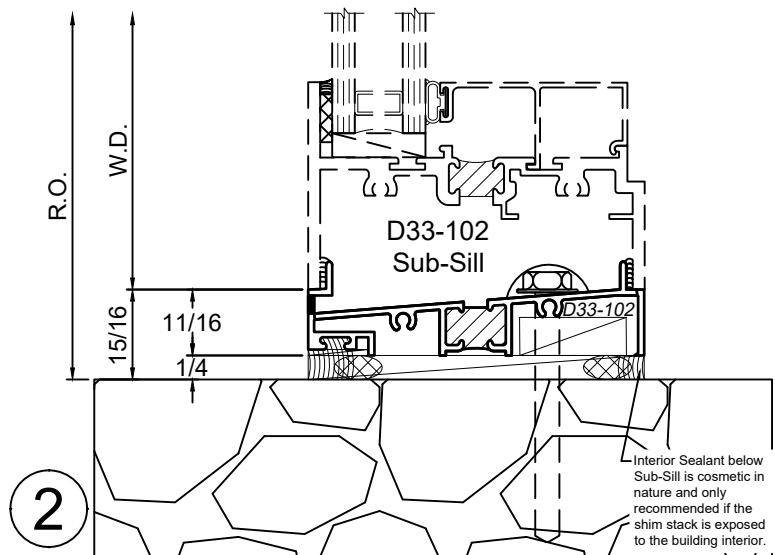
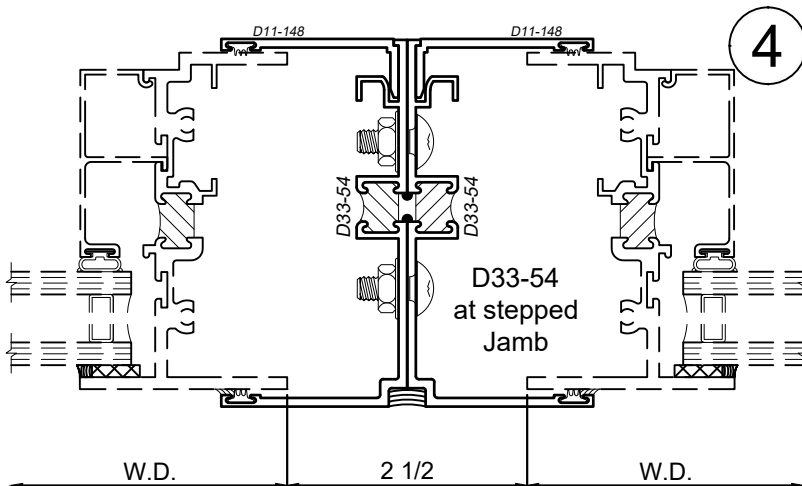
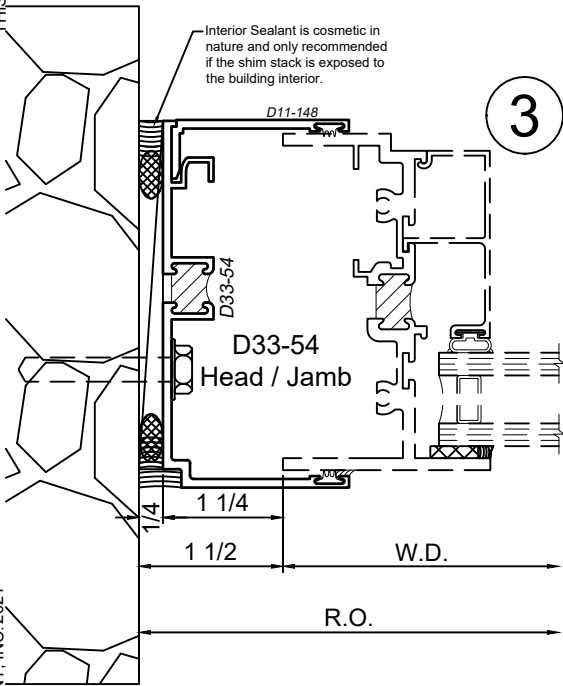
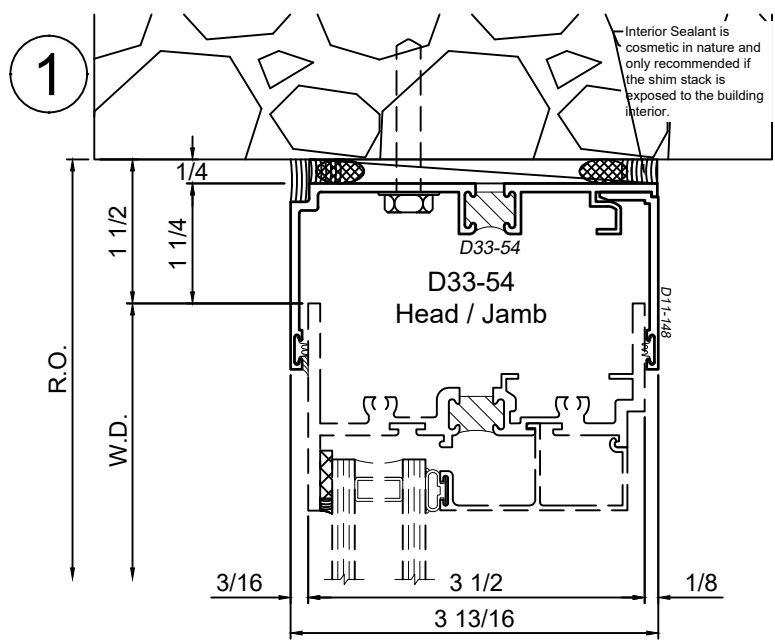


Note: Trim shown is a sampling of WINCO's offering. Not all shapes are held in stock and minimum quantity order may be required. Consult your local WINCO sales representative for other trims available. It is WINCO's recommendation to install all trim and materials per WINCO's installation instructions.

WINCO RESERVES THE RIGHT TO MODIFY OR CHANGE INFORMATION WITHIN THIS BOOK WHEN DEEMED NECESSARY FOR PRODUCT IMPROVEMENT



See 3350 Window Section(s) for possible window frame configurations.



© WINCO WINDOW COMPANY, INC. 2021

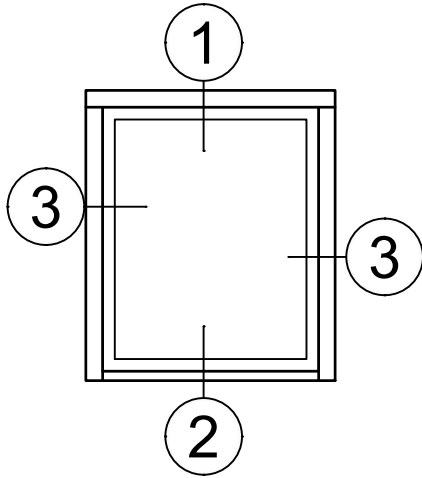
SCALE 6"=1'-0"

Receptor Sections - 3-1/2 Inch Windows

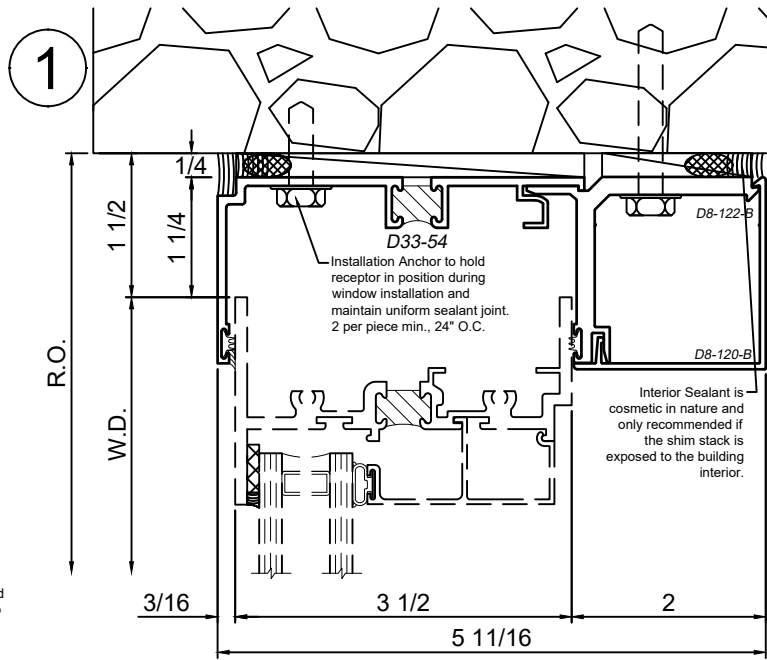
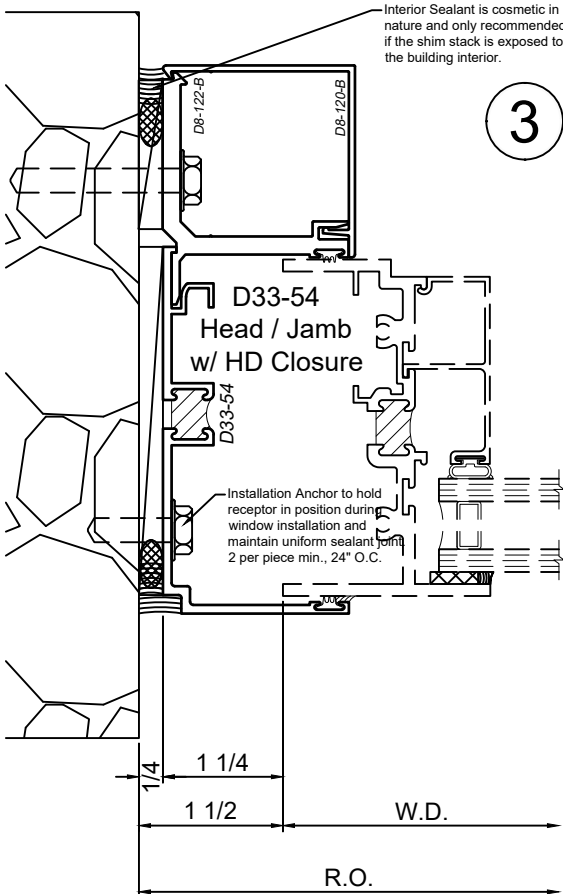
Product Details - Head / Jamb Receptors and Sub-Sills



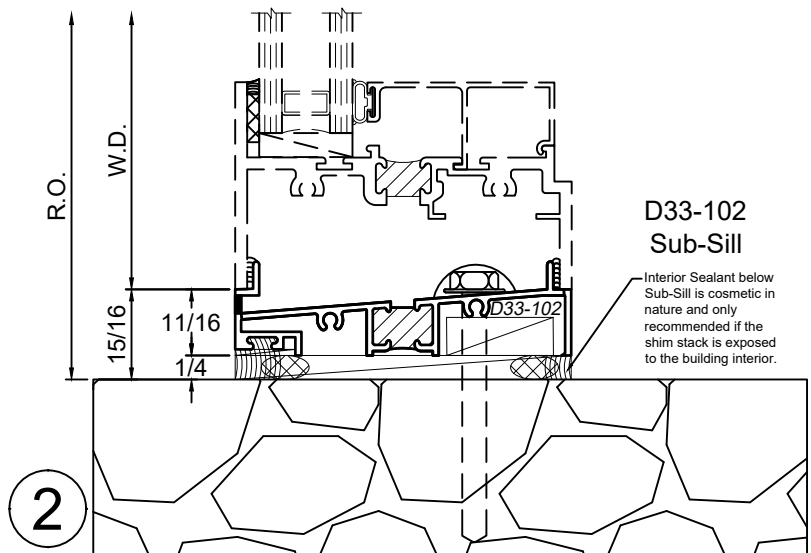
Note: Trim shown is a sampling of WINCO's offering. Not all shapes are held in stock and minimum quantity order may be required. Consult your local WINCO sales representative for other trims available. It is WINCO's recommendation to install all trim and materials per WINCO's installation instructions.



See 3350 Window Section(s) for possible window frame configurations.



D33-54
Head / Jamb
w/ HD Closure



D33-102
Sub-Sill

SCALE 6"=1'-0"

WINCO RESERVES THE RIGHT TO MODIFY OR CHANGE INFORMATION WITHIN THIS BOOK WHEN DEEMED NECESSARY FOR PRODUCT IMPROVEMENT

© WINCO WINDOW COMPANY, INC. 2021

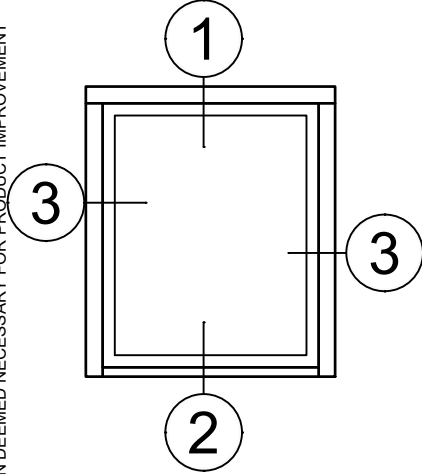
Receptor Sections - 3-1/2 Inch Windows

Product Details - Head / Jamb Receptors and Sub-Sills

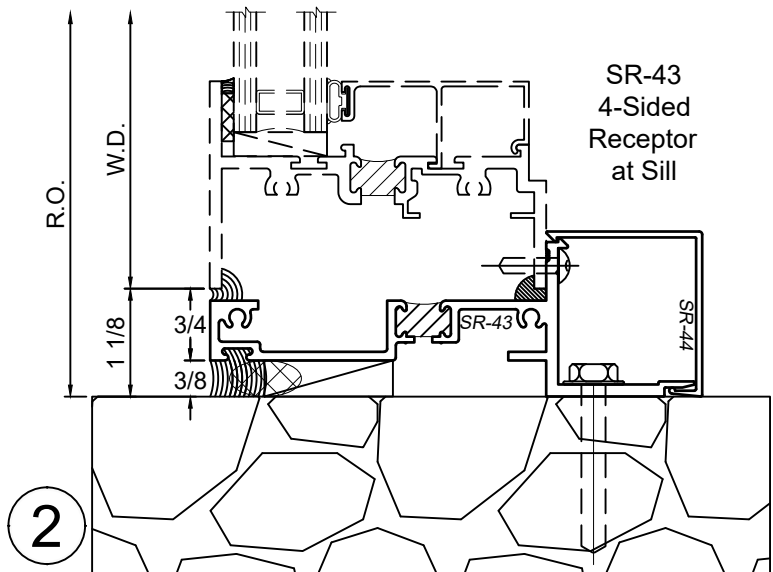
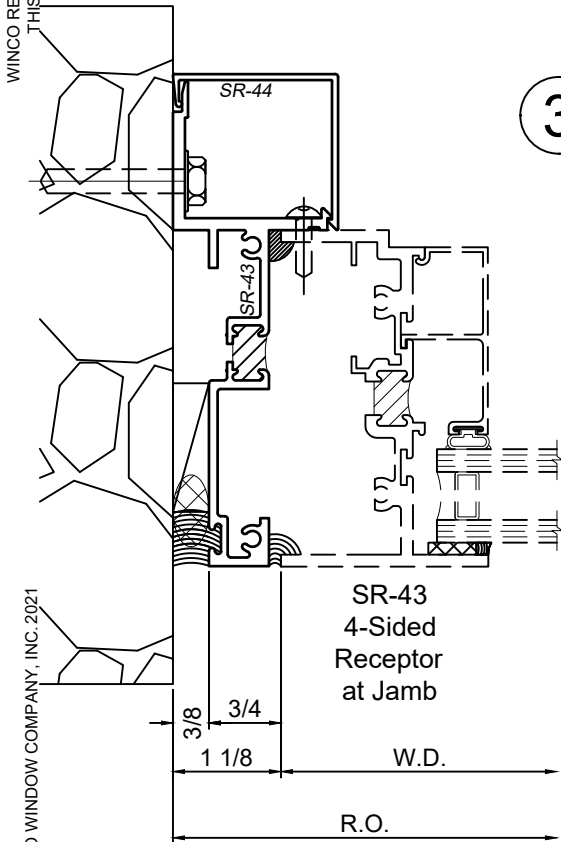
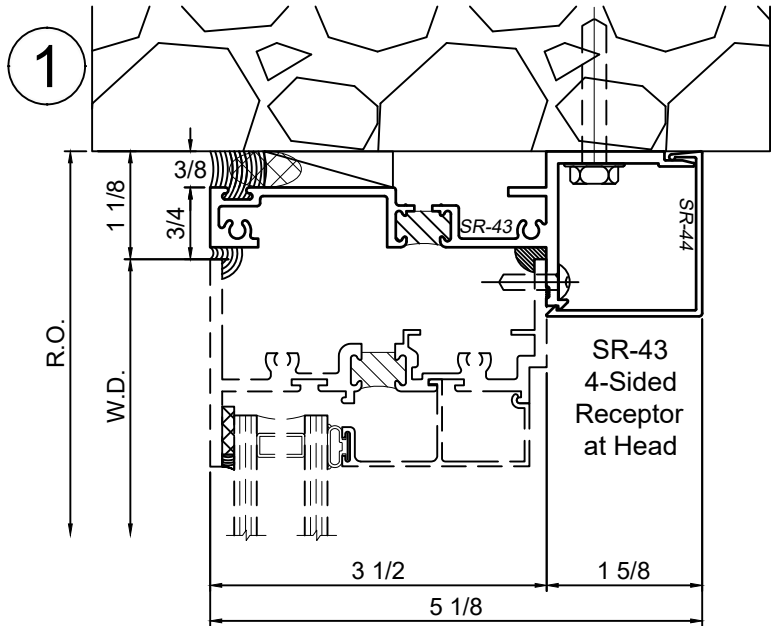


Note: Trim shown is a sampling of WINCO's offering. Not all shapes are held in stock and minimum quantity order may be required. Consult your local WINCO sales representative for other trims available. It is WINCO's recommendation to install all trim and materials per WINCO's installation instructions.

WINCO RESERVES THE RIGHT TO MODIFY OR CHANGE INFORMATION WITHIN THIS BOOK WHEN DEEMED NECESSARY FOR PRODUCT IMPROVEMENT



See 3350 Window Section(s) for possible window frame configurations.



SCALE 6"=1'-0"