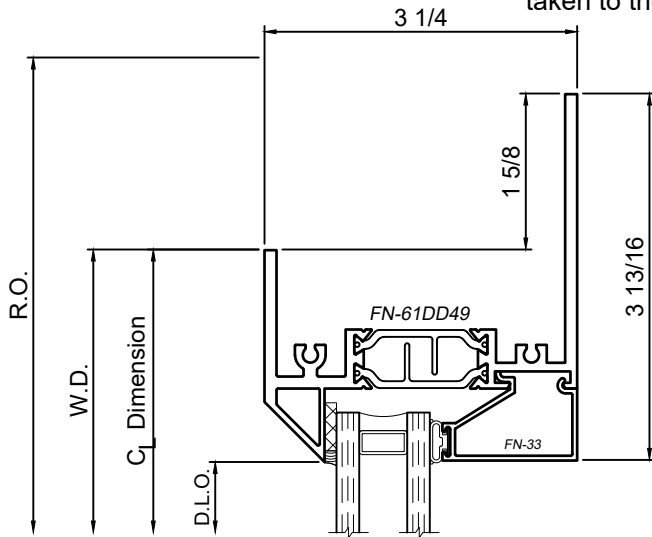


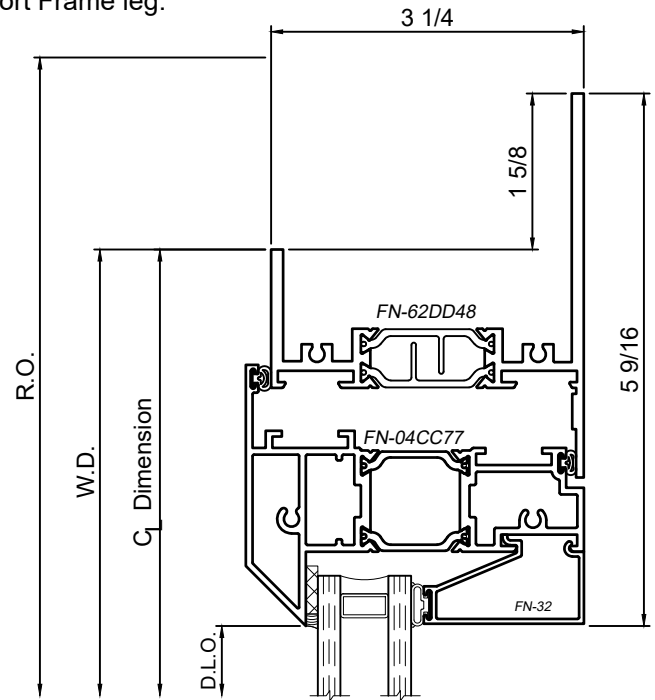
# 8325 Series 3-1/4" Thermal Fixed, Casement & Projected Windows Product Details - Un-Equal Leg Frame Options



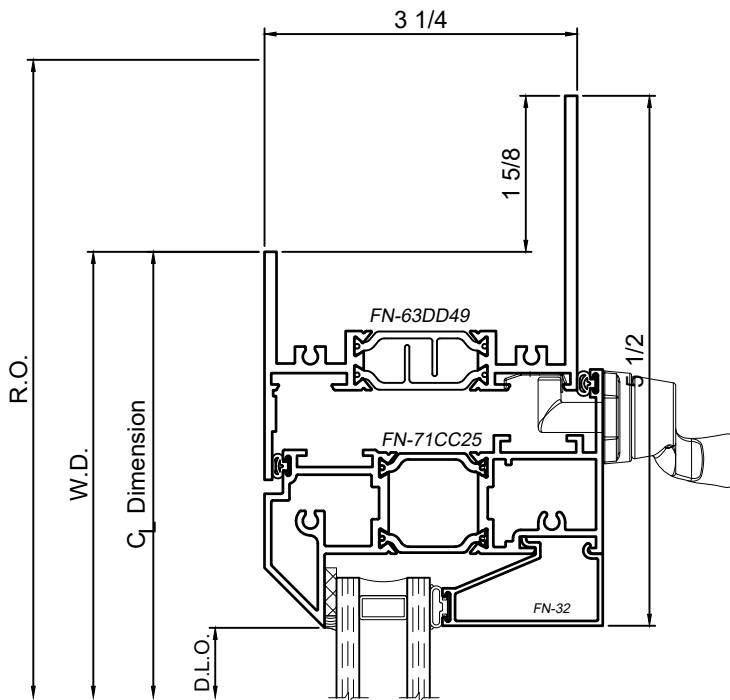
Note:  
The Nominal Frame and  
Centerline Dimensions are  
taken to the Short Frame leg.



Available at head, jamb and sill



Available at head, jamb and sill



Available at head, jamb and sill

WINCO RESERVES THE RIGHT TO MODIFY OR CHANGE INFORMATION WITHIN THIS BOOK WHEN DEEMED NECESSARY FOR PRODUCT IMPROVEMENT

© WINCO WINDOW COMPANY, INC. 2020

SCALE 6"=1'-0"