



**WE FOUND
YOUR
SAFETY
SOLUTION.**



Security Grids

Convenience

Easy to install, remove and repair

Security

The Corrosion Resistant 1/8" Marine Grade Stainless Steel rod has a Yield Strength of up to 35,000 PSI

Appearance

Consistent and uniform appearance with the optional up to 1/2" polycarbonate sheet has 9,500 Ultimate Tensile Strength and can be clear or tinted for privacy and solar control

What it is:

This breakthrough, patent applied, Security Grid, is built to last. Optional thermal performance and security glazing options against man-made or weather born threats. Aircraft-grade stainless steel rod embedded in the grid then screwed into the window frame.

Reach us at

www.wincowindow.com



6200 Maple Ave. St. Louis, MO

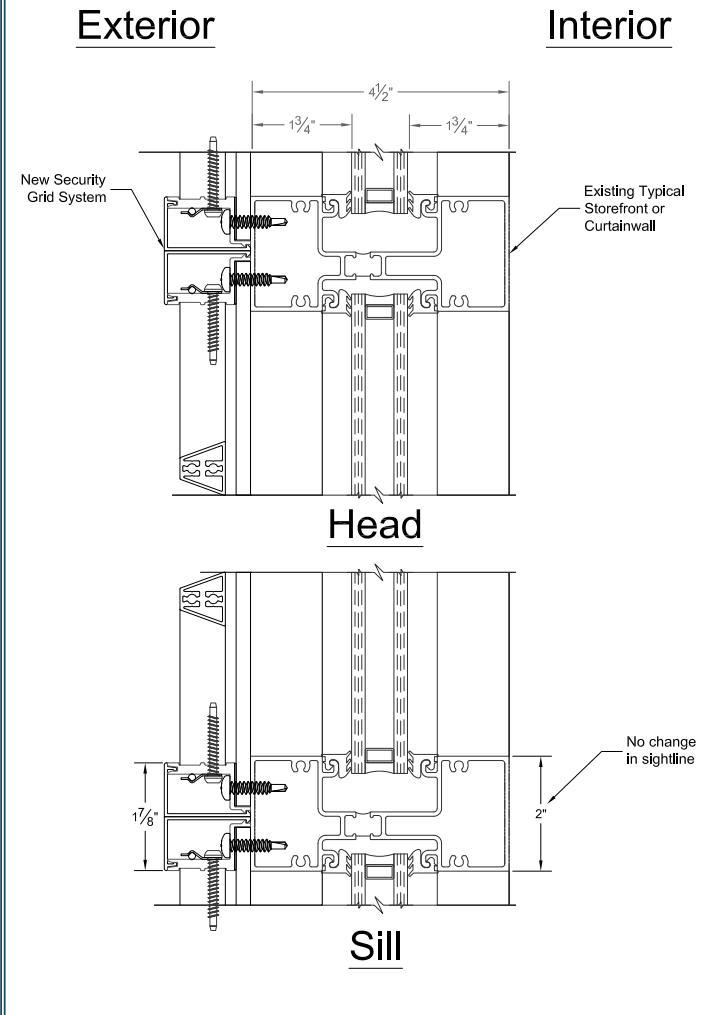


sales4@wincowindow.com

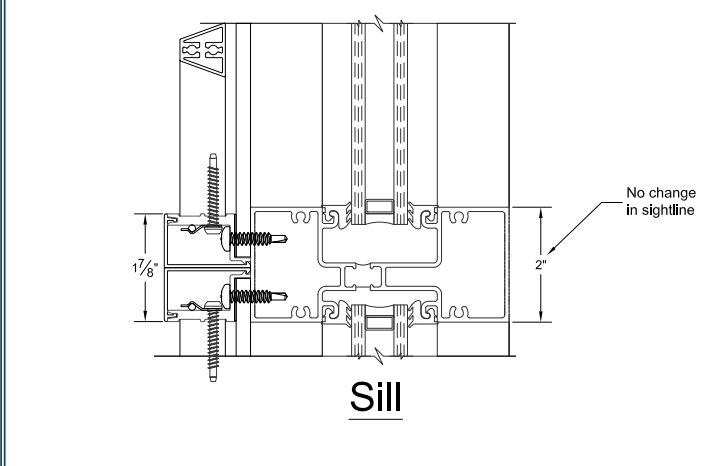


800.525.8089

Exterior
Interior



Head



Sill

Security Grid

- \$400 Each
- Designed to stay installed
- Removable without damage



Traditional Board-Up

- \$150 Install (each time)
- \$50 Removal (each time)
- Can damage existing framing
- Flammable

