



Series 1450S Hung Replica

4" Architectural Grade Thermal Window System
Fixed - Projected - Casement



Product Overview

The 1450S Simulated Hung Replica has the aesthetic of a hung window with the configuration of a fixed, projected, or casement window. The 4" frame depth and 1/8" wall thickness provides exceptional strength for a snug, durable fit into oversized sliding window openings.

Extruded beveled glazing leg provides clean sightlines with weathertight construction. Also available with applied muntin grids and panning for a customized look.

GREEN COMMITMENT

HISTORIC REPLICATION

ENERGY SAVINGS

NOISE CONTROL

BLAST SHIELD

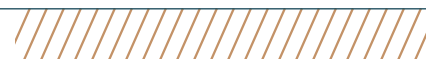
Features & Custom Options

- Azon "Azo-Brader" thermally broken frame and sash, backed by a 10 year warranty against thermal break shrinkage
- Fully mitered overlap sash configuration with fully sealed corners and dual weather-stripping
- Various glazing thicknesses available
- Dual glazing with optional integral blinds providing dynamic light control
- Integral extruded beveled glazing leg
- Wide variety of locking and operating hardware available
- Accessory line of receptors, mullions, panning and trim for a customized look
- Optional aluminum extruded screens

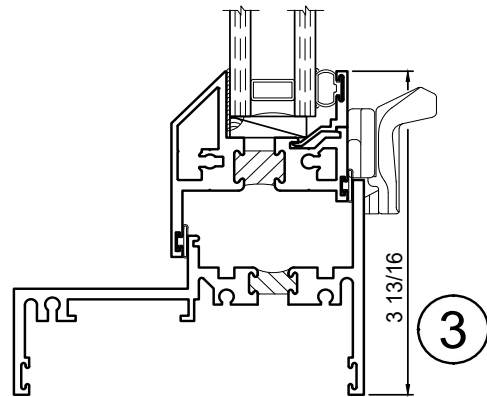
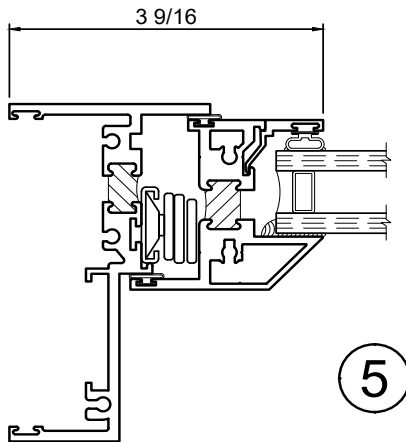
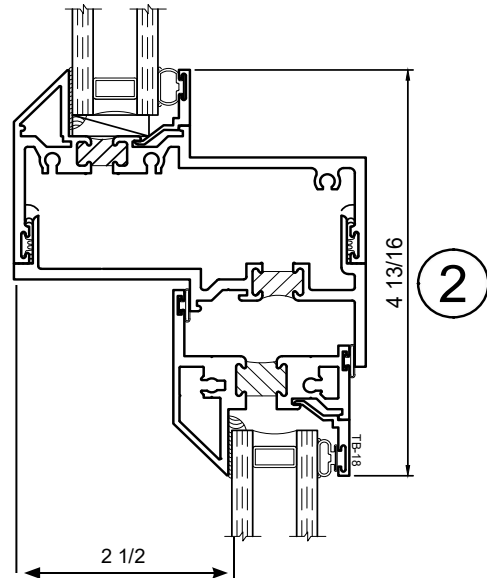
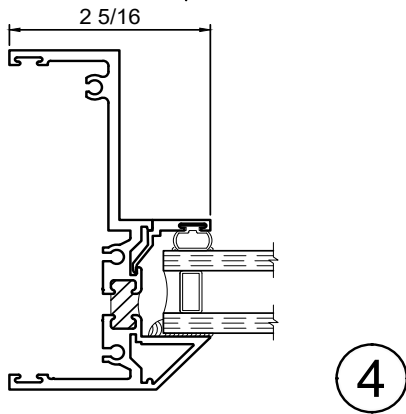
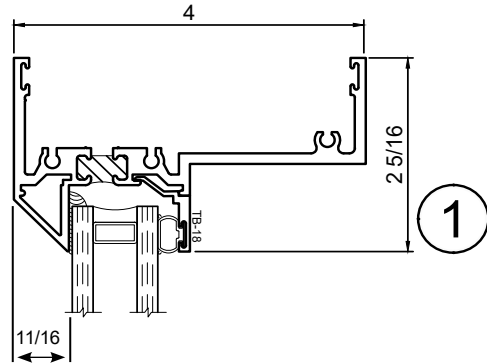
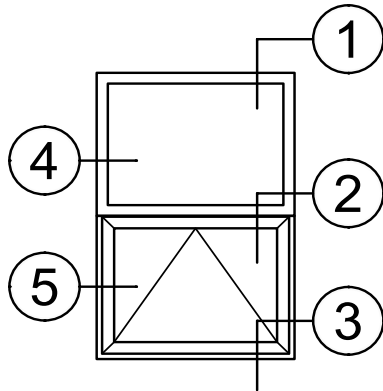
Performance Data*

Type	Air (CFM/FT ² @ 6.24 PSF)	Water (PSF)	Structural (PSF)	CRF	U-Value (Btu/Hr-Ft ² -°F)	STC
Projected AW Grade AP-AW100	Less than 0.10	12 (Higher levels may be available upon request)	+/- 150	60*	0.43*	Contact your local rep
Casement AW Grade C-AW100	Less than 0.10	12 (Higher levels may be available upon request)	+/- 150	60*	0.43*	

*U-Value, CRF, Water and AW ratings are based on a particular type of glazing and window configuration being used. They are provided for comparison purposes only. They are based on products of standard configuration, tested in accordance with NFRC/FGIA/AAMA specifications, in a laboratory environment under optimum conditions. Performance values will vary according to project specifications, installation, size, configuration, hardware, glass, etc. Any required field testing should be done in accordance with the project specifications and FGIA/AAMA field testing protocol, not this data.



Series 1450S Hung Replica Detail Drawings



Winco Window Company
6200 Maple Avenue
St Louis, MO 63130

TESTING: Our products meet stringent testing requirements of both the American Architectural Manufacturers Association (AAMA) and the National Fenestration Rating Council (NFRC) standards and certification.

VER:131021

