



Series 3325 Zero Sight Line Curtain Wall

3-1/4" Architectural Grade Window System
Projected - Casement



Product Overview

The 3325 Series zero sight line curtain wall window is designed for frames 13 feet or Higher in non-load-bearing exterior walls of high-rise buildings. Capable of spanning 25 feet or Higher for use across multiple floors, and provides industry-leading performance in any installation.

Factory fabricated and glazed, the 3325 is available in multiple configurations: vertical or horizontal rails allowing two vents in one frame, outswing casement, and projected out awning either with or without roto operator. It also includes a convenient 1" glazing pocket insert for installation into the curtain wall framing.

HISTORIC REPLICATION

ENERGY SAVINGS

NOISE CONTROL

GREEN COMMITMENT

Features & Custom Options

- Azon "Azo-Brader" thermally broken frame backed by a 10 year warranty against thermal break shrinkage
- Vertical and horizontal stacking members
- Wide variety of locking and operating hardware available
- Vertical or horizontal rail allowing two vents in one opening
- Optional aluminum extruded screens
- 1" glazing pocket insert for installation
- Available with or without roto operator

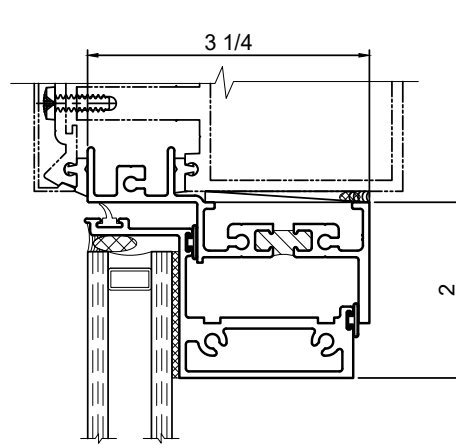
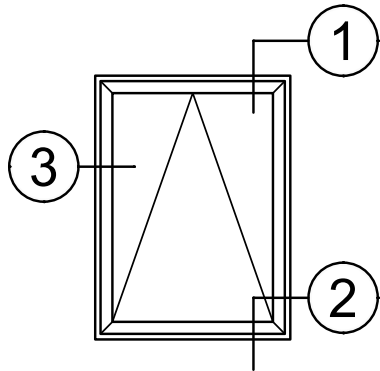
Performance Data*

Type	Air (CFM/FT ² @ 6.24 PSF)	Water (PSF)	Structural (PSF)	CRF	U-Value (Btu/Hr-Ft ² -°F)	STC
Projected AW Grade AP-AW80	Less than 0.10	12 (Higher levels may be available upon request)	+/- 120	63*	0.36*	Contact your local Rep
Casement AW Grade C-AW80	Less than 0.10	12 (Higher levels may be available upon request)	+/- 120	63*	0.36*	

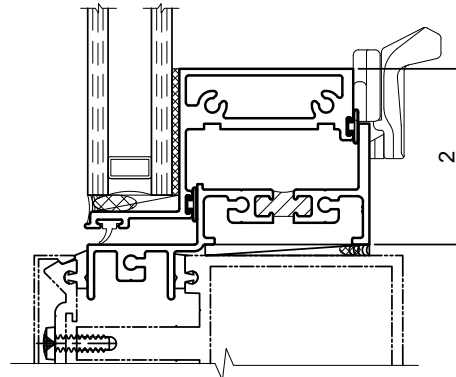
*U-Value, CRF, Water and AW ratings are based on a particular type of glazing and window configuration being used. They are provided for comparison purposes only. They are based on products of standard configuration, tested in accordance with NFRC/FGIA/AAMA specifications, in a laboratory environment under optimum conditions. Performance values will vary according to project specifications, installation, size, configuration, hardware, glass, etc. Any required field testing should be done in accordance with the project specifications and FGIA/AAMA field testing protocol, not this data.



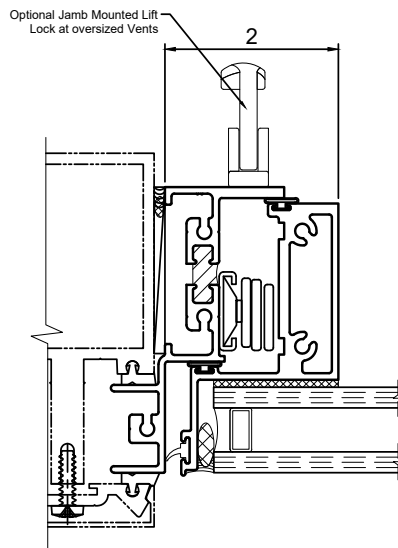
Series 3325 Zero Sight Line Detail Drawings



1



2



3



Winco Window Company
6200 Maple Avenue
St Louis, MO 63130

TESTING: Our products meet stringent testing requirements of both the American Architectural Manufacturers Association (AAMA) and the National Fenestration Rating Council (NFRC) standards and certification.

VER:131021

