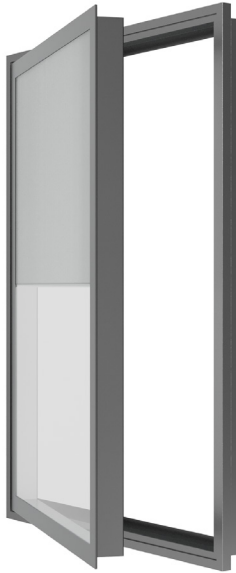




Transira™ Retrofit

Architectural Grade Thermal Window System
Retrofit Configuration



Product Overview

There's a new smart way to add security and energy upgrades to existing window systems. WINCO's new Transira™ Window integrates a motorized, high-tech shading or blind system inside a custom-made window, and then integrates motor controls that can be controlled by your local control system.

The Transira Accessory Sash for Motorized Shades or blinds is a glazing option / product configuration enhancement which can be utilized as stand-alone window in the 3350 Series and as add-on interior window in combination with primary windows of any make up including but not limited to Storefront, Curtain Wall, Wood Windows, etc, also referred to as "retro-fit" option.

WINCO's Transira Accessory Sash is an economical way to increase energy savings, reduce health concerns with a dust free-environment, and add visual intruder security.

GREEN COMMITMENT

ENERGY SAVINGS

NOISE CONTROL

BLAST SHIELD

WIND PROTECTION

Features & Custom Options

- Can be used in conjunction with new or existing Storefront, Curtain Wall or inboard of existing primary windows
- Interior hinged access glass panel eliminates dust and damage
- Optional blast, ballistic and impact glazing for optimal security
- Custom blackout shade option
- Multiple configurations available
- Can be activated with Building Management System (BMS) integration or local control such as a wall keypad
- Built-in high-performance shade or blind that balances views and privacy, handles daylighting and glare, and reduces solar heat gain

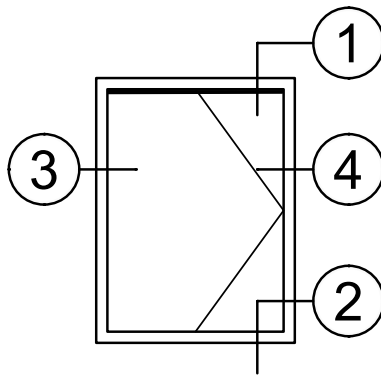
Performance

Average Performance improvement to an existing monolithic window:

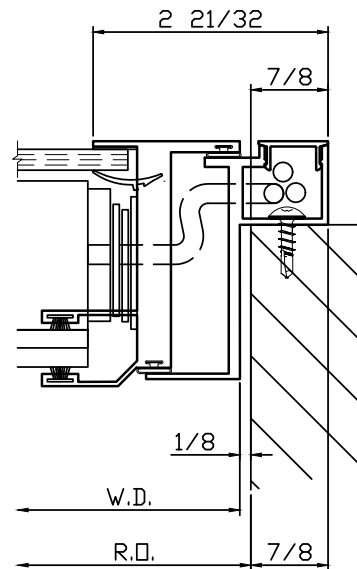
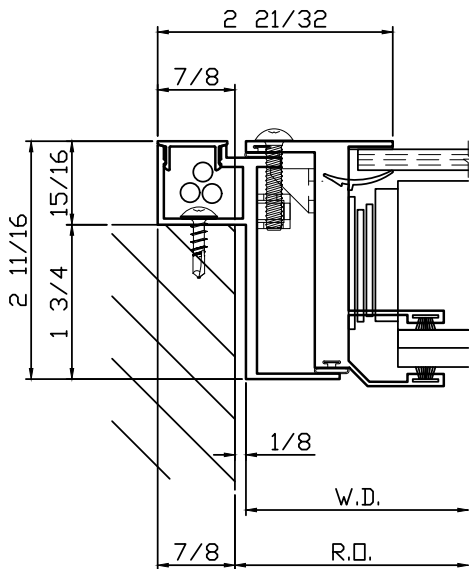
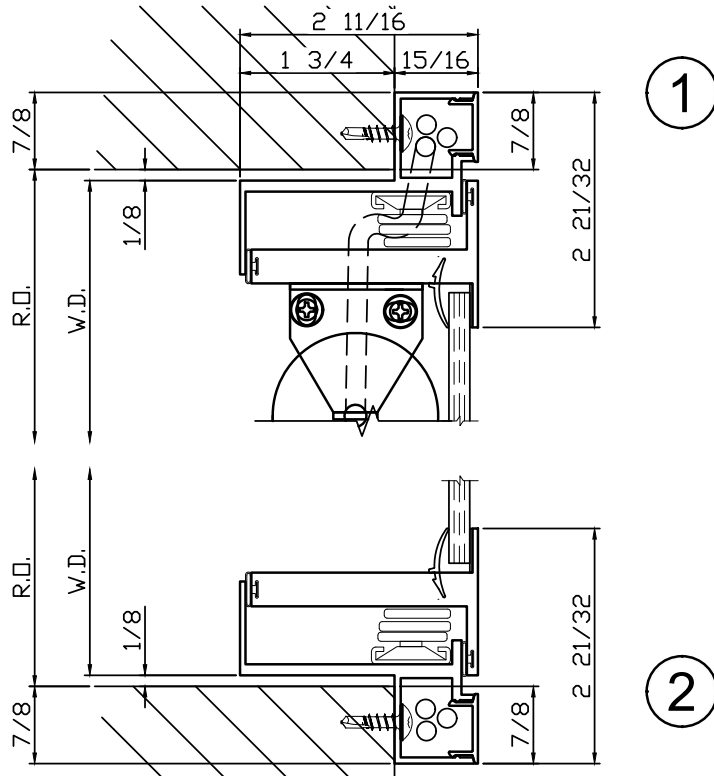
- Improve thermal U-Value by over 50% (1.03 to 0.48).
- Average of 30% energy savings
- Increases acoustic abatement by 12 STC points. (44 to 32 3350 Fixed w-BS E90 STC-OITC Report 04-17)



Transira™ Detail Drawings



The Retrofit Configuration is designed to be used in conjunction with new or existing Storefront, Curtain Wall or inboard of existing primary windows. While the accessory sash containing the motorized shade can be opened for maintenance purposes, it is not intended to be opened for ventilation. Shimming not shown for clarity of system.



Winco Window Company
6200 Maple Avenue
St Louis, MO 63130

TESTING: Our products meet stringent testing requirements of both the American Architectural Manufacturers Association (AAMA) and the National Fenestration Rating Council (NFRC) standards and certification.

VER:251021

