

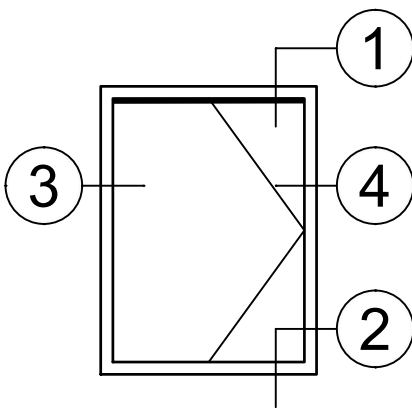
Transira™ Motorized Shade Accessory Sash

Product Details - Accessory Sash in Retro-fit Configuration

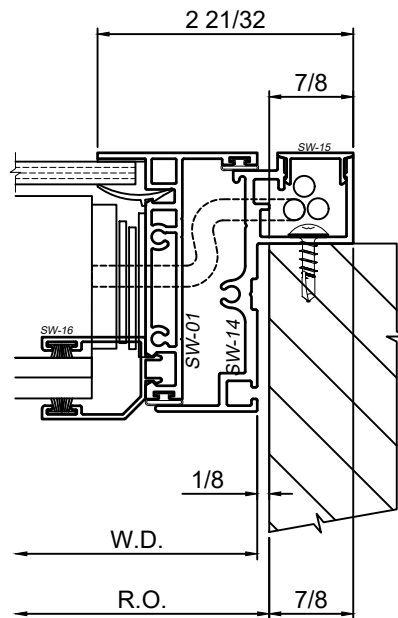
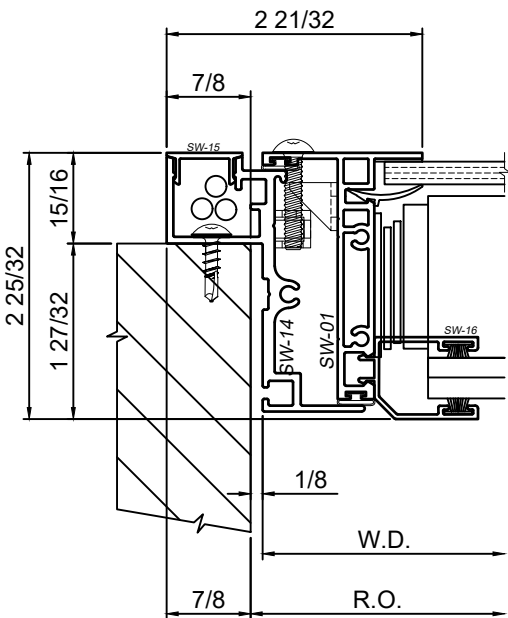
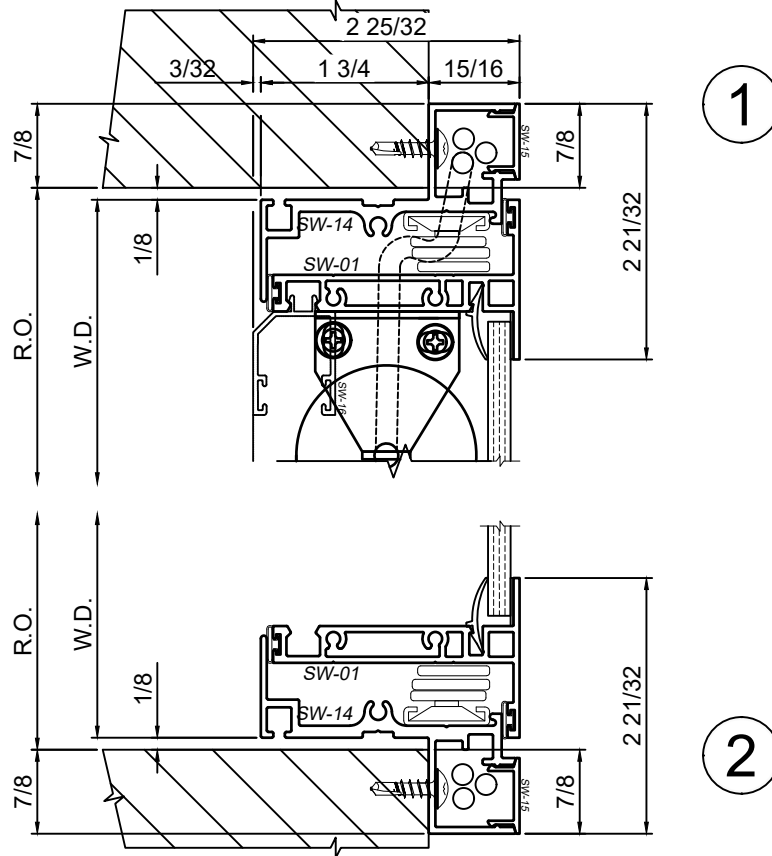


Note: Multiple configurations of this window system are available. Refer to the WINCO website for additional options or contact your local WINCO Sales Representative for information.

WINCO RESERVES THE RIGHT TO MODIFY OR CHANGE INFORMATION WITHIN THIS BOOK WHEN DEEMED NECESSARY FOR PRODUCT IMPROVEMENT



The Retro-fit Configuration is designed to be used in conjunction with new or existing Storefront, Curtain Wall or inboard of existing primary windows. While the accessory sash containing the motorized shade can be opened for maintenance purposes, it is not intended to be opened for ventilation. Shimming not shown in these graphics for clarity of system.



SCALE 6"=1'-0"

3

4