

## PERFORMANCE

The Series Transira™ Accessory Sash for Motorized Shades is a glazing Option / Product Configuration Enhancement which can be utilized as stand-alone window in the 3350 Series and as add-on interior window in combination with primary windows of any make up including but not limited to Storefront, Curtain Wall, Wood Windows, etc, also referred to as "retro-fit" option.

The stand-alone version in the 3350 series allows the primary sash to be opened for ventilation and, if sized accordingly, to be used as Secondary Means of Egress in compliance with NFPA-101. In addition to all trim configurations available for the 3350 series, a receptor system with integrated wire chase is available.

Refer to the 3350 Series for Air/Water/Structural rated performance.

The add-on / retro-fit interior configuration will permit maintenance access to the primary window, but can not be utilized for Ventilation or as Secondary Means of Egress.

Size Limitations are based on the hinge capacity of the concealed 4-bar arm in the accessory sash and the availability of glass, laminate or polycarbonate infill for the accessory sash. A minimum sash width is dictated by the housing size of the shade motor. The maximum sash height is limited by the diameter of the coiled up shade material. Since shade materials (fabrics & foils) differ in material thickness, the maximum sash height must be evaluated based on a project specific basis.

# Transira™ Motorized Shade Accessory Sash Product Information



## GLAZING

The Transira™ Accessory Sash Configuration can be used mounted inboard of an existing window, storefront or curtain wall system, also referred to as "retro-fit" option. It can also be used in a "stand-alone" configuration within a WINCO 3350 series window. The available glazing configurations are listed below.

Glazing Thickness		1/8"	3/16"	1/4"	5/16"	3/8"	1/2"	9/16"	5/8"	3/4"	7/8"	1"	BR-1 <sup>1</sup>	BR-2 <sup>1</sup>	BR-3 <sup>1</sup>
Existing / S.F. / C.W.		-	-	-	-	-	-	-	-	-	-	-	-	-	-
Transira™	Interior	-	X	X	X	-	-	-	-	-	-	-	-	-	-
	Exterior	-	X	X	-	-	-	-	-	-	-	-	X	X	-
Dual Glazed	Interior	X	X	X	X	-	-	-	-	-	-	-	-	-	-
	Exterior	-	-	-	-	-	-	-	-	-	X	X	-	-	-
Triple Glazed	Interior	X	X	X	X	-	-	-	-	-	-	-	-	-	-
	Exterior	-	-	-	-	-	-	-	-	-	-	-	-	-	-

<sup>1</sup> The exact make up for Ballistic Resistant Glass & Ballistic Resistant Glass Clad Polycarbonate is proprietary and may vary by glass fabricator / manufacturer. Ballistic Resistance Performance of the window system with a Transira™ Accessory Sash has not been tested and depends on the shielding configuration of the primary window frame in addition to the primary glazing used.

## HARDWARE

When the Transira™ Accessory Sash Configuration is used in a "stand-alone" 3350 Series primary window, the primary hardware configurations listed below are optional. All exposed locking hardware, strikes and keepers are solid white bronze alloy with US25D brushed finish. All four bar arms, casement arms, friction arms and key release limit arms are stainless steel conforming to AAMA 904.1. Five knuckle butt hinges are fabricated of 6063-T6 aluminum with nylon bushings and a stainless steel hinge pin.

The Transira™ Accessory Sash is always equipped with concealed stainless steel four bar hinges and a ramp clamp locking assembly mounted in a concealed manner so only the locking screw head is exposed.

Window Type	Butt Hinge	4-Bar Arms	Casement Arms	Friction Adjustable	Roto Operator	Cam Lock	Pole Ring Cam Lock	Access Control Lock	Lift Lock	Pole Ring Lift Lock	Pull Handle	Key Release Limit Arm	Fixed Limit Stop	Under Screen Push Bar
PW - Fixed	No Locking or Operating Hardware Required in Fixed Configuration													
PO - Awning	Not available - Glazing must remain vertical for proper motorized shade operation													
PI - Hopper	Not available - Glazing must remain vertical for proper motorized shade operation													
Casement - Outswing w/ Butt Hinges	X	-	-	X	-	-	-	O	X	O	X	O	O	-
Casement - Inswing w/ Butt Hinges	X	-	-	X	-	-	-	O	X	O	-	O	O	-
Casement - Outswing w/ concealed Hinges	-	-	X	-	-	-	-	O	X	O	X	O	O	-
Casement - Inswing w/ concealed Hinges	-	-	X	-	-	-	-	O	X	O	-	O	O	-

X = Standard Hardware, O = Optional Hardware

WINCO RESERVES THE RIGHT TO MODIFY OR CHANGE INFORMATION WITHIN THIS BOOK WHEN DEEMED NECESSARY FOR PRODUCT IMPROVEMENT

© WINCO WINDOW COMPANY, INC. 2020

# Transira™ Motorized Shade Accessory Sash

## Product Information - Electrical Control & Operation Options



WINCO RESERVES THE RIGHT TO MODIFY OR CHANGE INFORMATION WITHIN THIS BOOK WHEN DEEMED NECESSARY FOR PRODUCT IMPROVEMENT

All connections between Somfy™ Power Panels and the blind motors are w/ 24V Sonesse® Ultra 30 Power & RS 485 Data Cables in a parallel configuration w/ One (1) cable per motor / blind unit. Each cable contains 2 strands of 14 ga wire to supply 24V DC power to the blind motors, and a bundle of RS-485 wires for data / signal transfer to and from the blind motors.

All connection between Somfy™ Data Panels and Somfy™ Power Panels are w/ Cat 5e Networking data cables in a daisy chain configuration. In some configurations, the Somfy™ Data Panels can be replaced with a Somfy™ Bus Power Supply or be omitted altogether.

All connections between Somfy™ Power Panels and Somfy™ Key Pads are w/ Cat 5e Networking data cables.

Each Somfy™ Power Panel can accommodate 2 devices (Key Pads, RTS Receiver, SDX Hub, etc.). Should more than 2 devices (key pads) be required, a SDX hub must be used to expand the device capacity of the Somfy™ Power Panel. If SDX data Hubs are used, they will be housed within the Somfy™ Power Panel.

The Somfy™ Power Panel must be located within 240 ft direct distance to the furthest shade it powers. The Somfy™ Power Panel only provides 24V DC power for the shade motors. It does not energize the RS485 Bus Line side of the system / network. The Key Pads must be located within 200 ft from the Somfy™ Power Panel.

The Somfy™ Somfy™ Key Pads\*\* should be located within the same room as the shades they control. Wireless Control of the shades is possible via an RTS receiver or in an Internet Control Interface.

The Somfy™ Somfy™ Data Panel can be located anywhere\* within the building.

If the Shades will not to be connected to the Building's Lighting or Building Management System, a Somfy™ Data Panel is not required, but the system will require a Bus Power Supply at each Somfy™ Power Panel to power the communications side between Somfy™ Power Panel, Somfy™ Shade Motors and the Key Pad(s).

Installations with Solar powered RTS shade motors or Zigby™ shade motors do not require a set of ladder diagram and line diagram drawings since these devices are not designed to be networked into an SDN system. Also, such an installation is not be suitable for integration into a Building Management System (BMS) or Building Automation System (BAS).

\* Power consumption of data cable runs is cumulative and limited to 4000ft max per Somfy™ Data Panel.

\*\* The Somfy™ Key Pads require a 3-1/2" Deep Gang Box

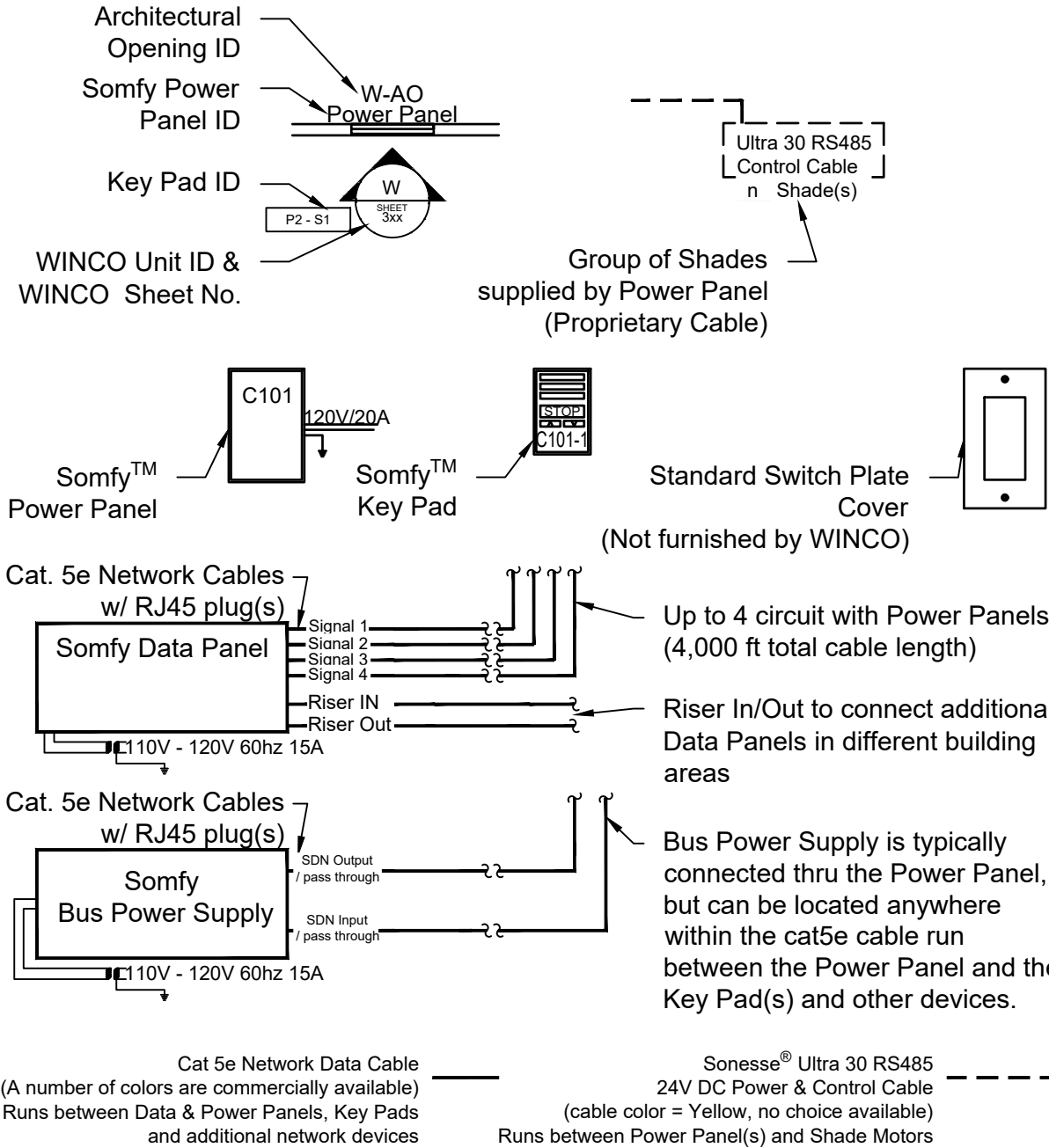
© WINCO WINDOW COMPANY, INC. 2020

# Transira™ Motorized Shade Accessory Sash

## Product Information - Symbols used on Shop & Line Drawings



Symbols used on WINCO Floor Plans, Ladder Diagrams & Line Drawings for Transira™ Accessory Sash equipped windows.



WINCO RESERVES THE RIGHT TO MODIFY OR CHANGE INFORMATION WITHIN THIS BOOK WHEN DEEMED NECESSARY FOR PRODUCT IMPROVEMENT

© WINCO WINDOW COMPANY, INC. 2020

While WINCO Line Drawings will indicate the general location of Somfy™ Data Panels, Somfy™ Power Panels, Key Pads, etc. by Room Number, the actual position within the room for the depicted components must be clearly indicated during the drawings review process by the Architect or other Building Owner's representative, or the electrical contractor will be at liberty for choosing the most appropriate / convenient installation spot.

The cable runs indicated on WINCO's plans show which cable type is used to connect the individual components, but does not dictate the actual path the cable will follow through the building.

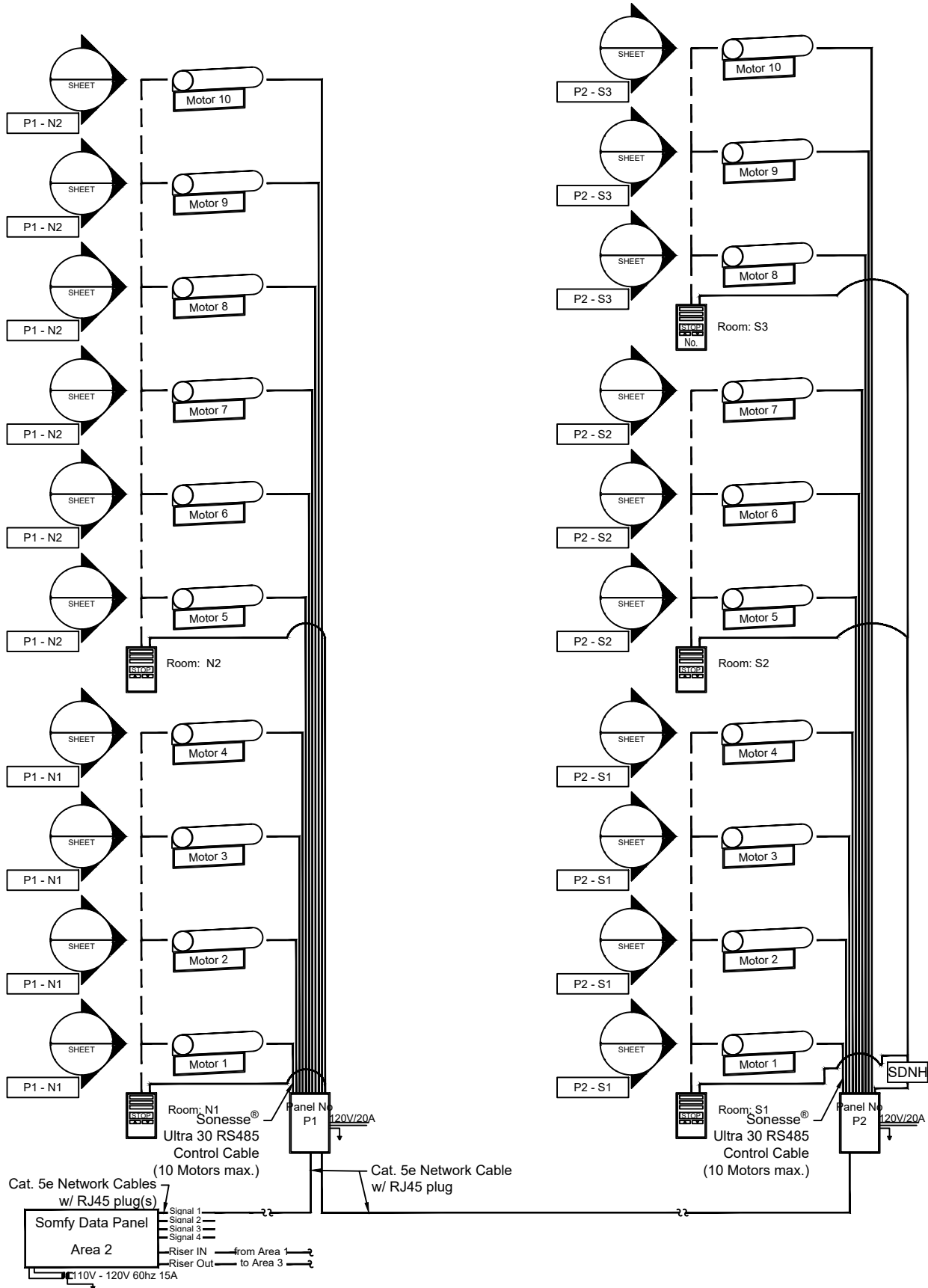
# Transira™ Motorized Shade Accessory Sash

## Product Information - Typical Installation - Ladder Diagram



WINCO RESERVES THE RIGHT TO MODIFY OR CHANGE INFORMATION WITHIN THIS BOOK WHEN DEEMED NECESSARY FOR PRODUCT IMPROVEMENT

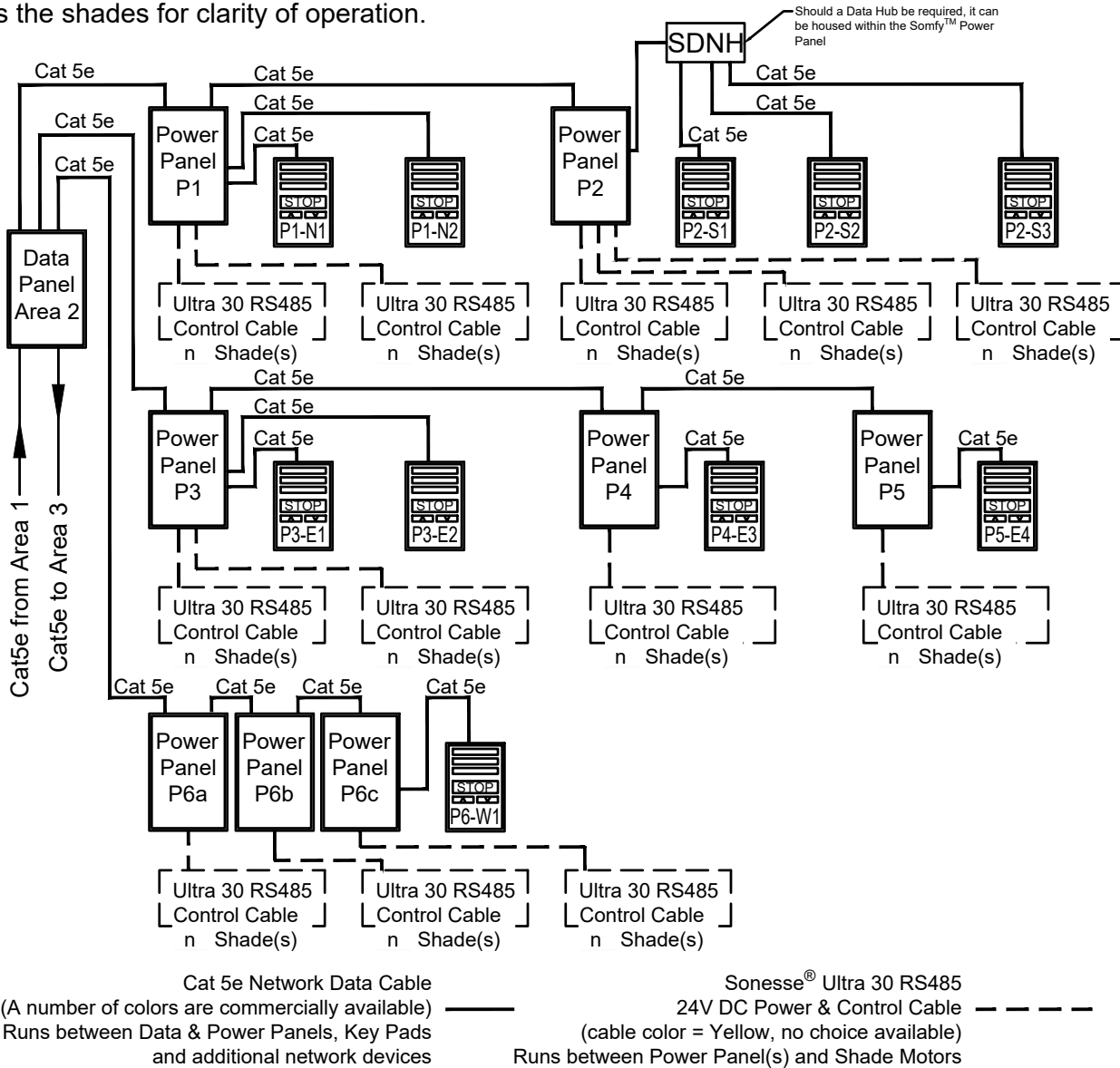
© WINCO WINDOW COMPANY, INC. 2020



# Transira™ Motorized Shade Accessory Sash Product Information -Typical Installation - Line Drawing



Below is a line drawing outlining a typical SDN network utilizing Somfy™ Data Panels  
A key pad can address multiple groups for shades, but should be located within the same room as the shades for clarity of operation.



WINCO RESERVES THE RIGHT TO MODIFY OR CHANGE INFORMATION WITHIN THIS BOOK WHEN DEEMED NECESSARY FOR PRODUCT IMPROVEMENT

A Somfy™ Data Panel is optional for the shade function, but is required for an installation with multiple rooms and multiple Somfy™ Power Panels to function as a network. Each Somfy™ Data Panel can support up to Four (4) individual SDN loops with a total cumulative cable length of 4,000 ft. Should the Somfy™ Data Panel be omitted, each power panel will require the installation of a Somfy™ Bus Power Supply to supply communications power for the Key Pad(s). Each Somfy™ Power Panel can support up to 10 shade motors and has ports for 2 Key Pads or other devices. Should more than 2 key pads be required, a SDNH (Hub) can be added, trading One (1) device port for an additional 4 ports. Rooms with more than 10 shades will require multiple Somfy™ Power Panels to be "daisy chained" in order to provide DC power for the shade motors. "Daisy chained" Somfy™ Power Panels can share a single Bus Power Supply, since the current draw on the communications side is very low.

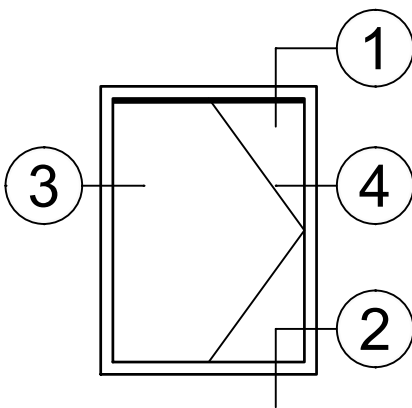
© WINCO WINDOW COMPANY, INC. 2020

# Transira™ Motorized Shade Accessory Sash Product Details - Accessory Sash in Retro-fit Configuration

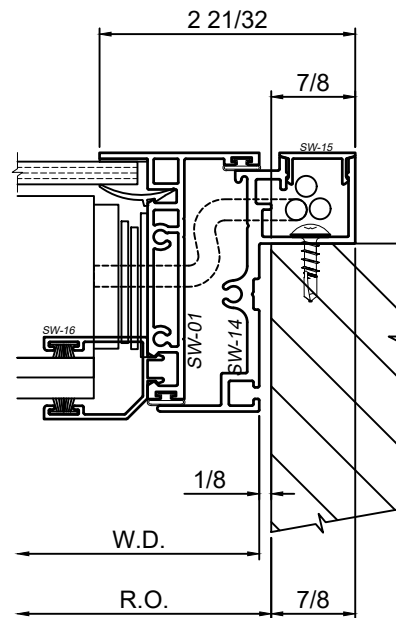
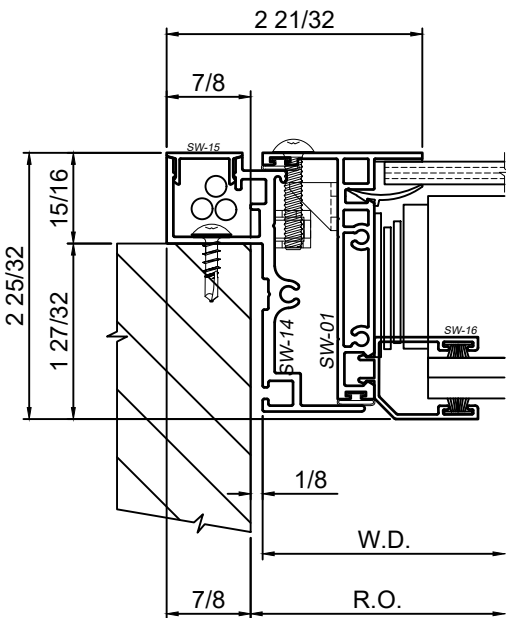
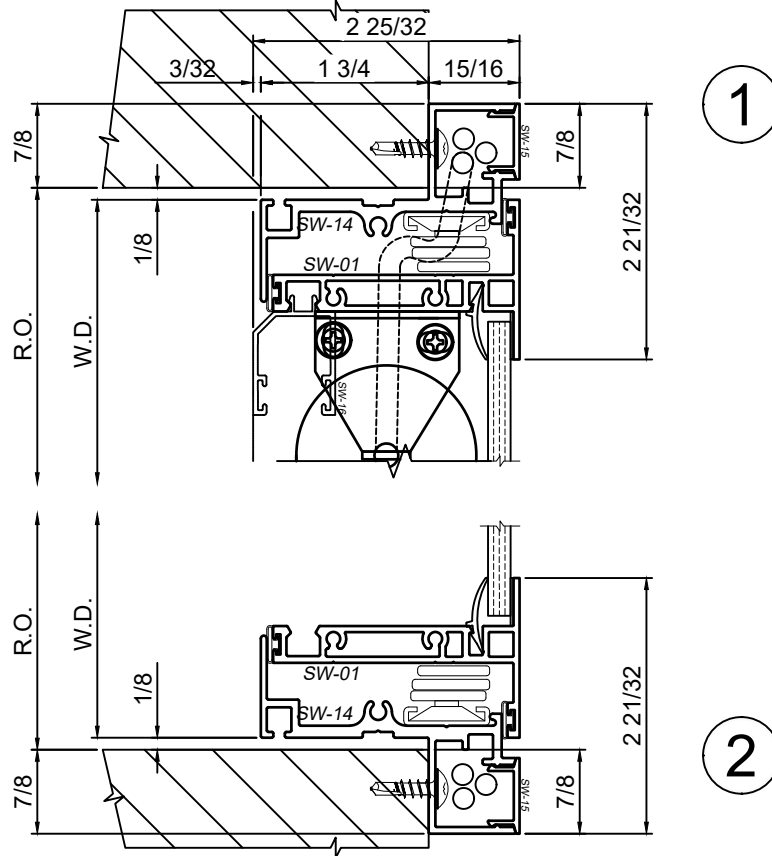


Note: Multiple configurations of this window system are available. Refer to the WINCO website for additional options or contact your local WINCO Sales Representative for information.

WINCO RESERVES THE RIGHT TO MODIFY OR CHANGE INFORMATION WITHIN THIS BOOK WHEN DEEMED NECESSARY FOR PRODUCT IMPROVEMENT



The Retro-fit Configuration is designed to be used in conjunction with new or existing Storefront, Curtain Wall or inboard of existing primary windows. While the accessory sash containing the motorized shade can be opened for maintenance purposes, it is not intended to be opened for ventilation. Shimming not shown in these graphics for clarity of system.



SCALE 6"=1'-0"

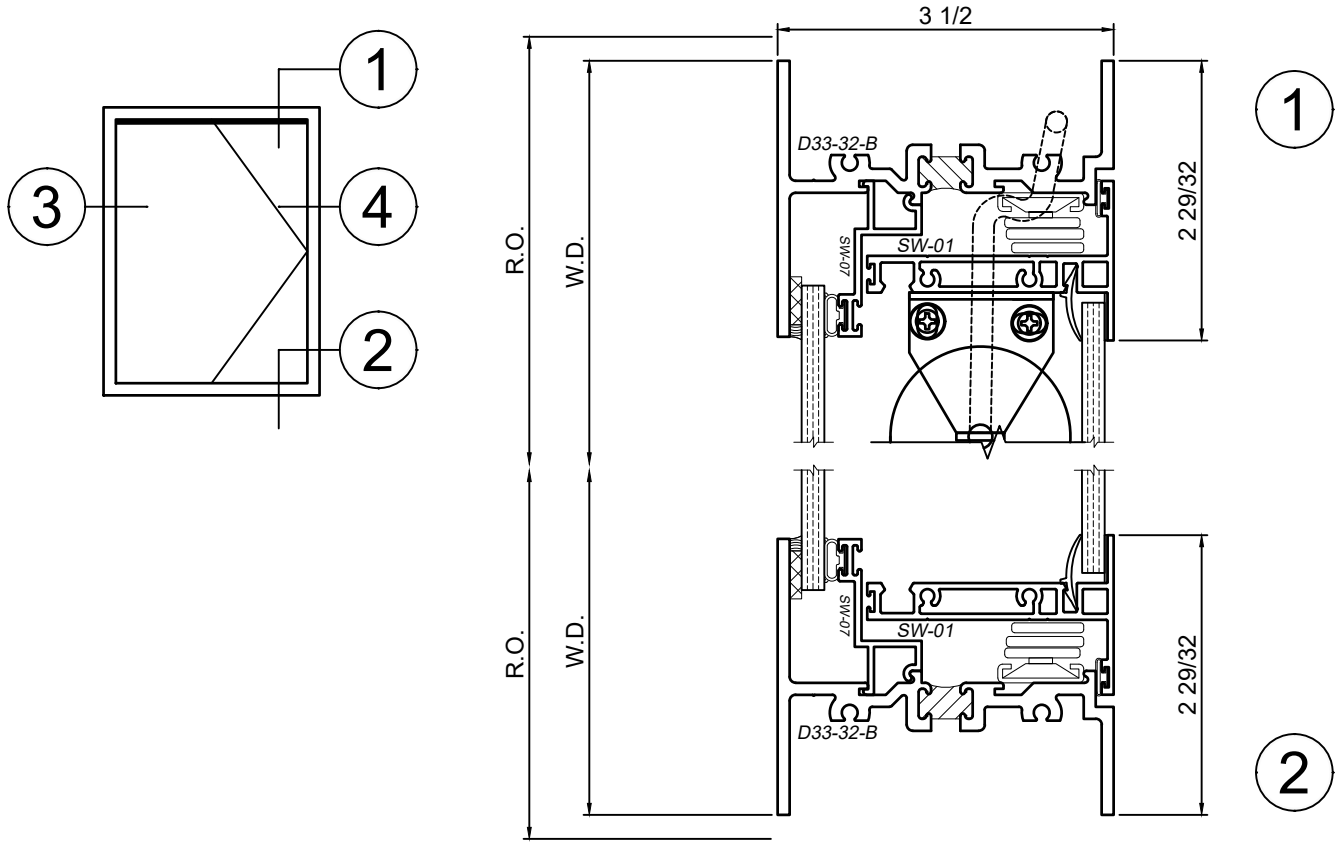
3

4

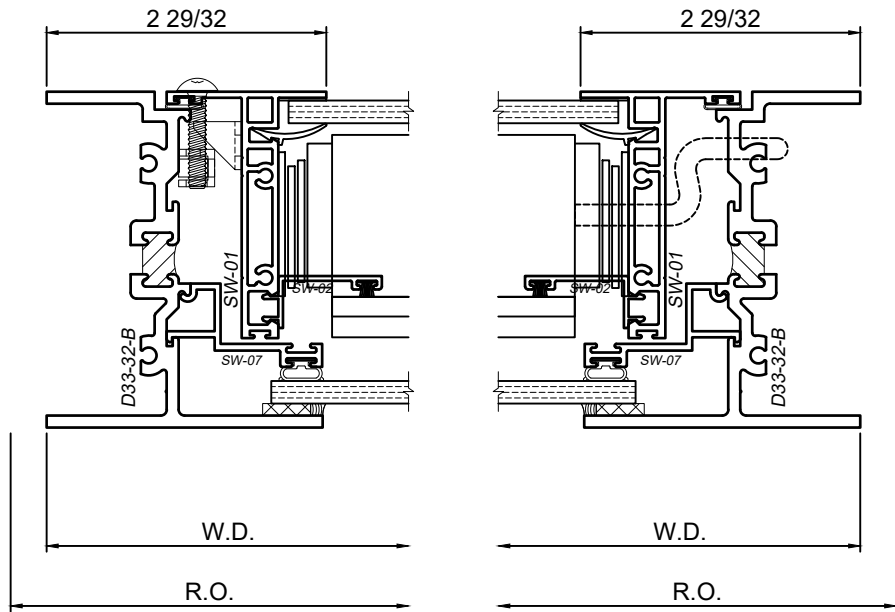
# Transira™ Motorized Shade Accessory Sash in 3350 Frame Product Details - Fixed Configuration



Note: Multiple configurations of this window system are available. Refer to the WINCO website for additional options or contact your local WINCO Sales Representative for information.



WINCO RESERVES THE RIGHT TO MODIFY OR CHANGE INFORMATION WITHIN THIS BOOK WHEN DEEMED NECESSARY FOR PRODUCT IMPROVEMENT



© WINCO WINDOW COMPANY, INC. 2020

SCALE 6"=1'-0"

3

4

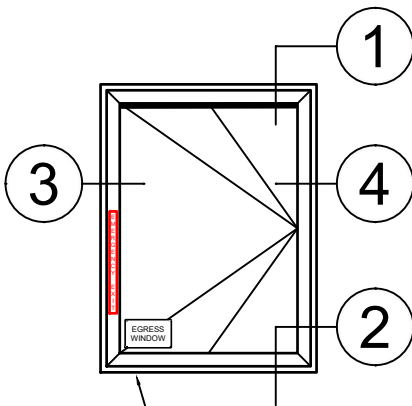


# Transira™ Motorized Shade Accessory Sash in 3350 Frame Product Details - Casement Configuration

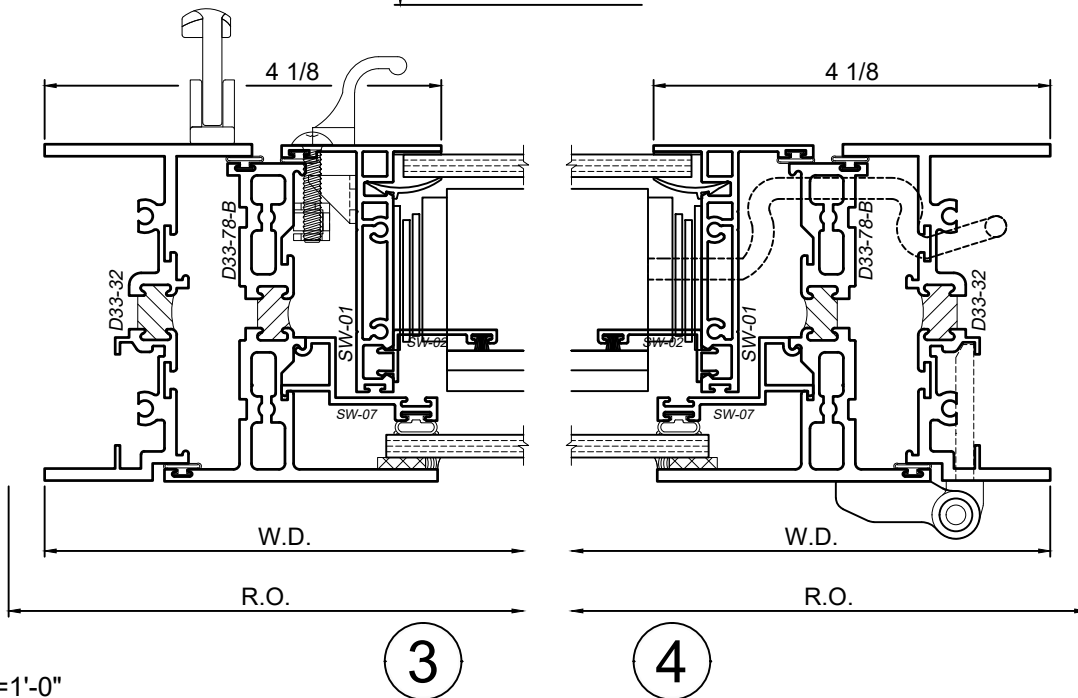
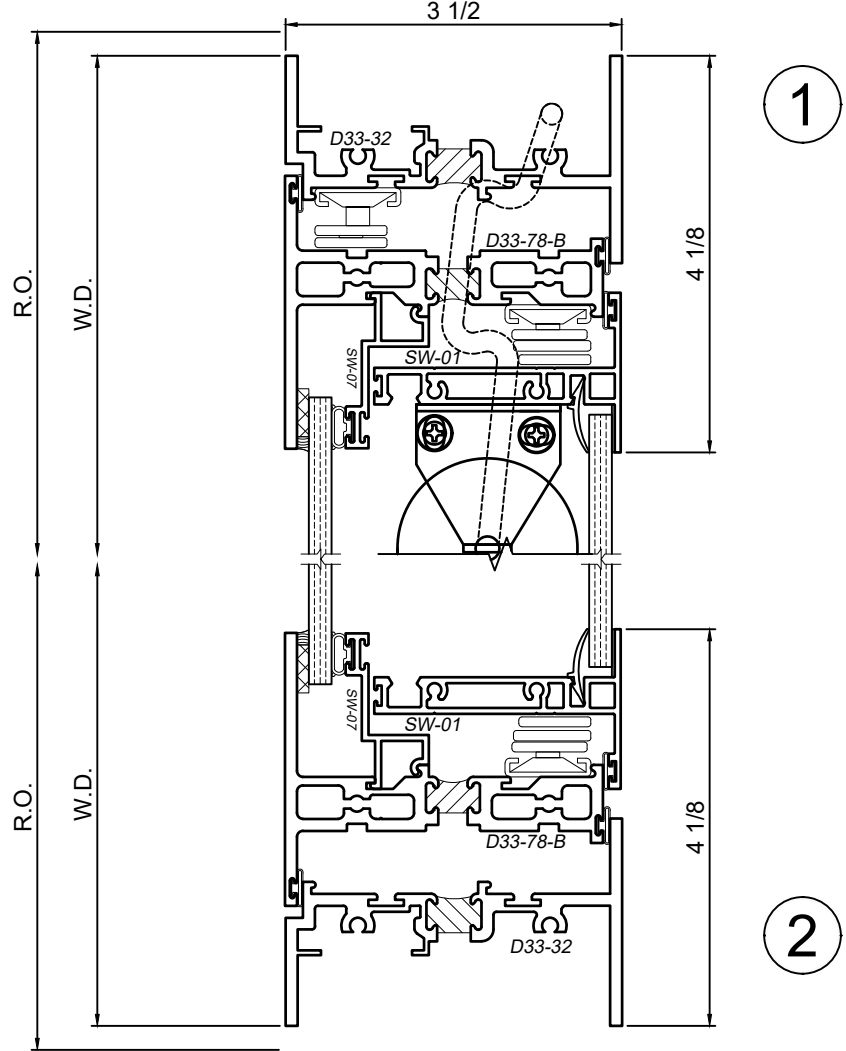


Note: Multiple configurations of this window system are available. Refer to the WINCO website for additional options or contact your local WINCO Sales Representative for information.

WINCO RESERVES THE RIGHT TO MODIFY OR CHANGE INFORMATION WITHIN THIS BOOK WHEN DEEMED NECESSARY FOR PRODUCT IMPROVEMENT



Vent can be configured to meet NFPA 101 requirements for use as Means of Secondary Egress if Minimum size limits are met.



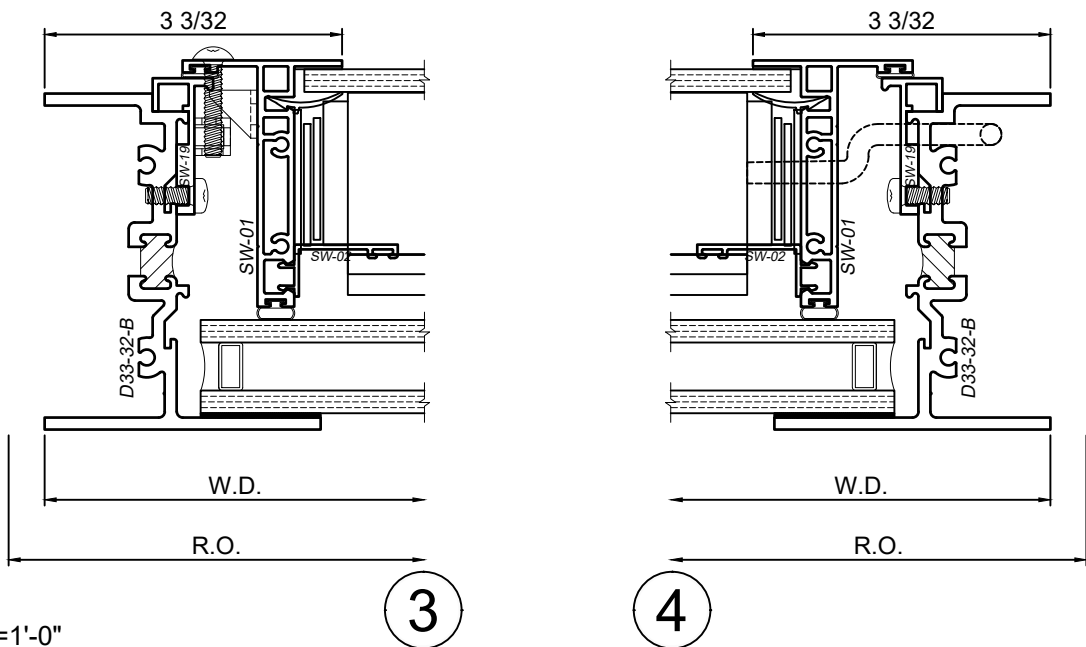
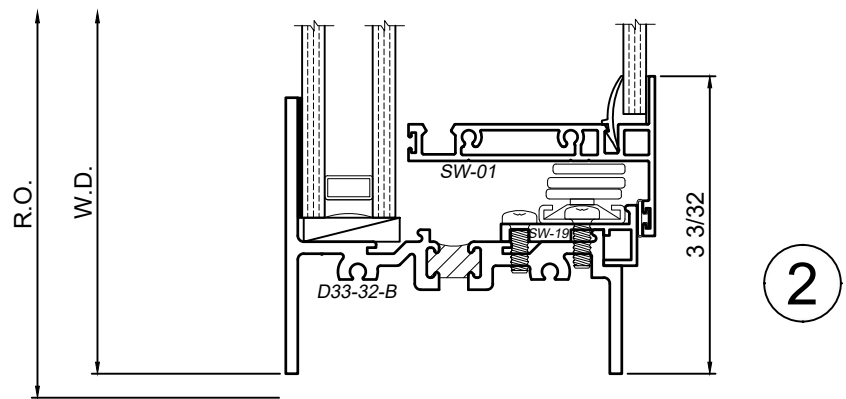
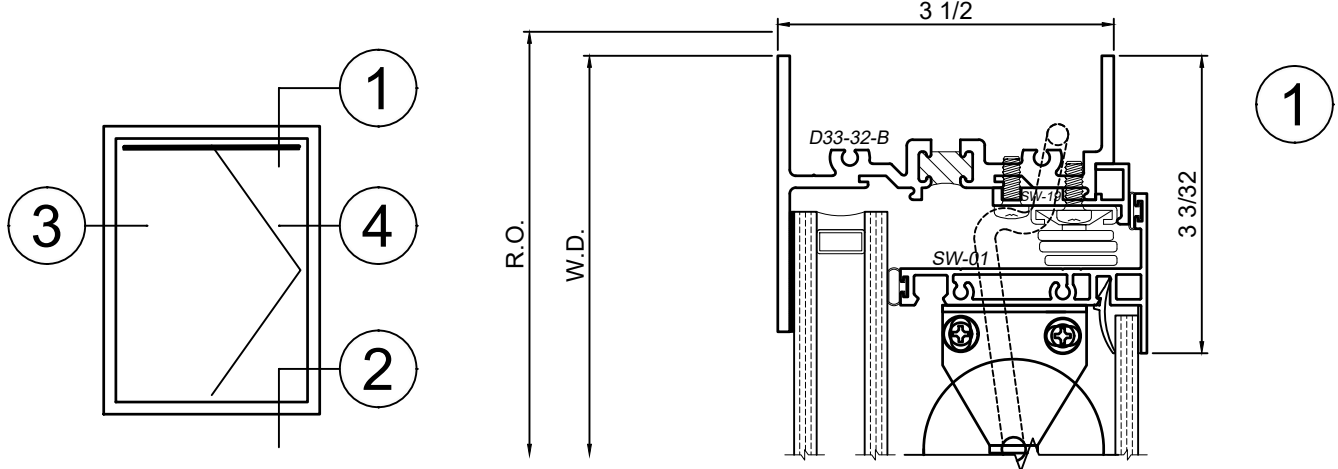
© WINCO WINDOW COMPANY, INC. 2020

SCALE 6"=1'-0"

# Transira™ Motorized Shade Accessory Sash in 3350 Frame Product Details - Fixed Configuration w/ 1" Insulated Glazing



Note: Multiple configurations of this window system are available. Refer to the WINCO website for additional options or contact your local WINCO Sales Representative for information.



SCALE 6"=1'-0"

WINCO RESERVES THE RIGHT TO MODIFY OR CHANGE INFORMATION WITHIN THIS BOOK WHEN DEEMED NECESSARY FOR PRODUCT IMPROVEMENT

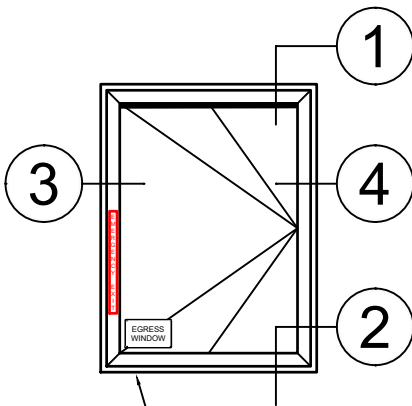
© WINCO WINDOW COMPANY, INC. 2020

# Transira™ Motorized Shade Accessory Sash in 3350 Frame Product Details - Casement Configuration w/ 1" Insulated Glazing

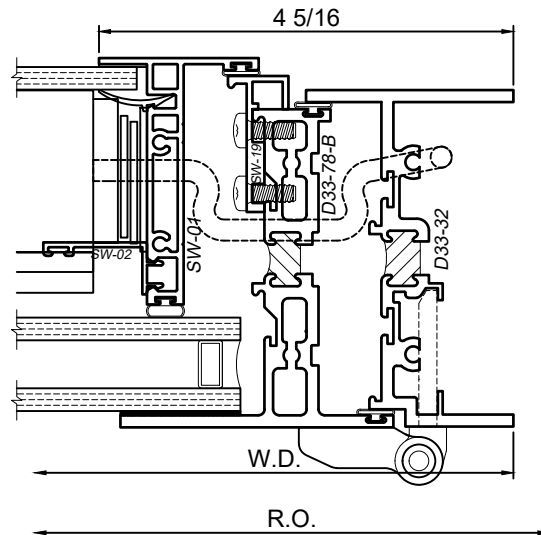
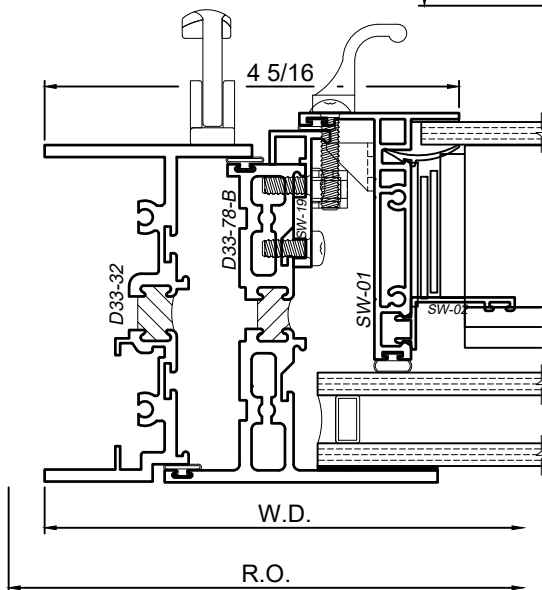
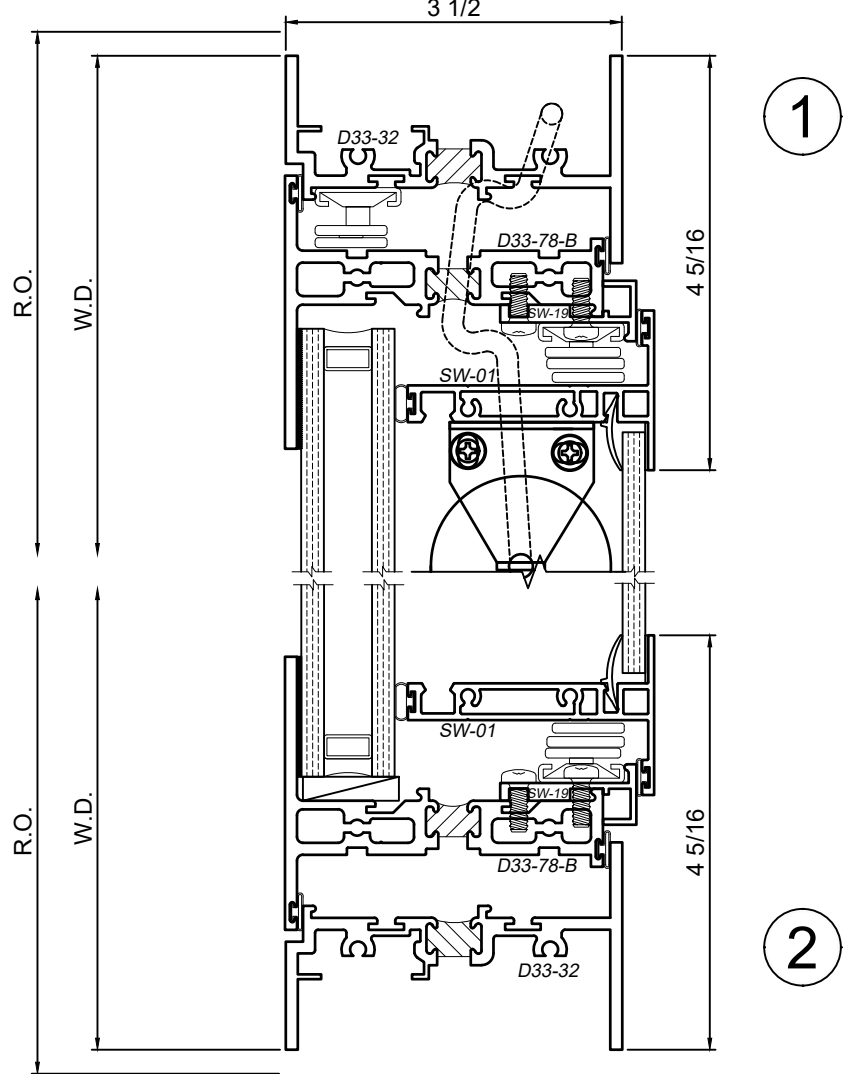


Note: Multiple configurations of this window system are available. Refer to the WINCO website for additional options or contact your local WINCO Sales Representative for information.

WINCO RESERVES THE RIGHT TO MODIFY OR CHANGE INFORMATION WITHIN THIS BOOK WHEN DEEMED NECESSARY FOR PRODUCT IMPROVEMENT



Vent can be configured to meet NFPA 101 requirements for use as Means of Secondary Egress if Minimum size limits are met.



SCALE 6"=1'-0"

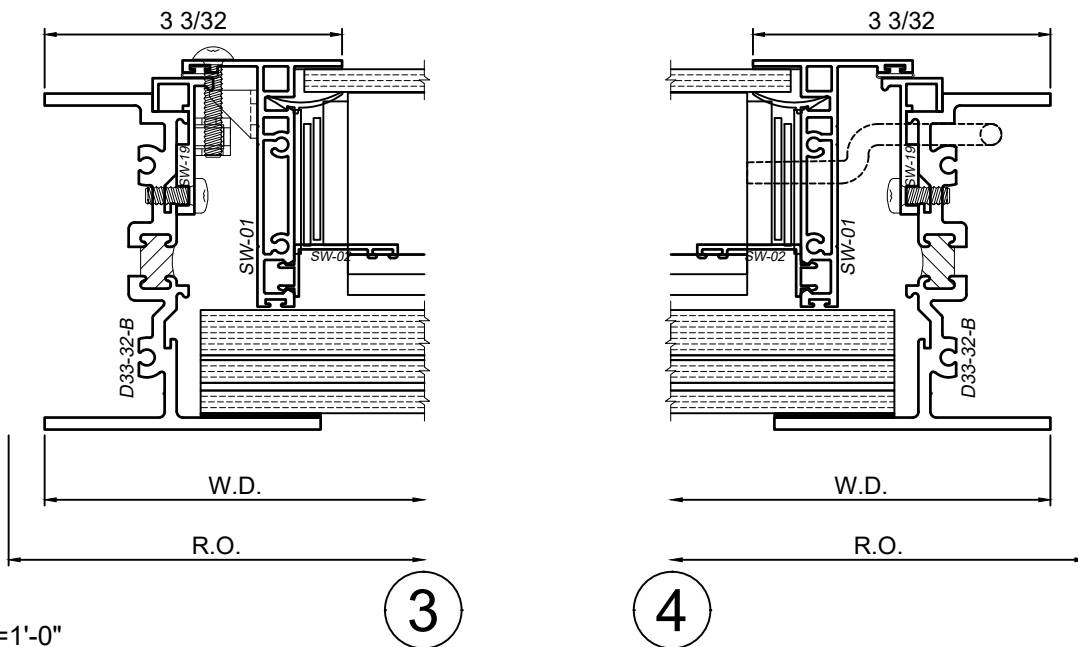
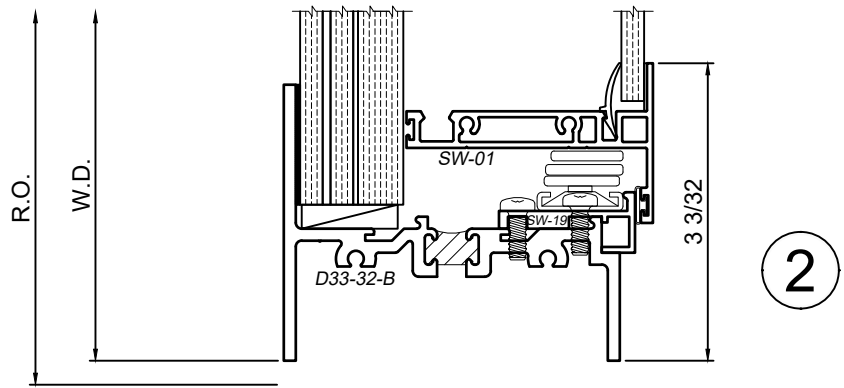
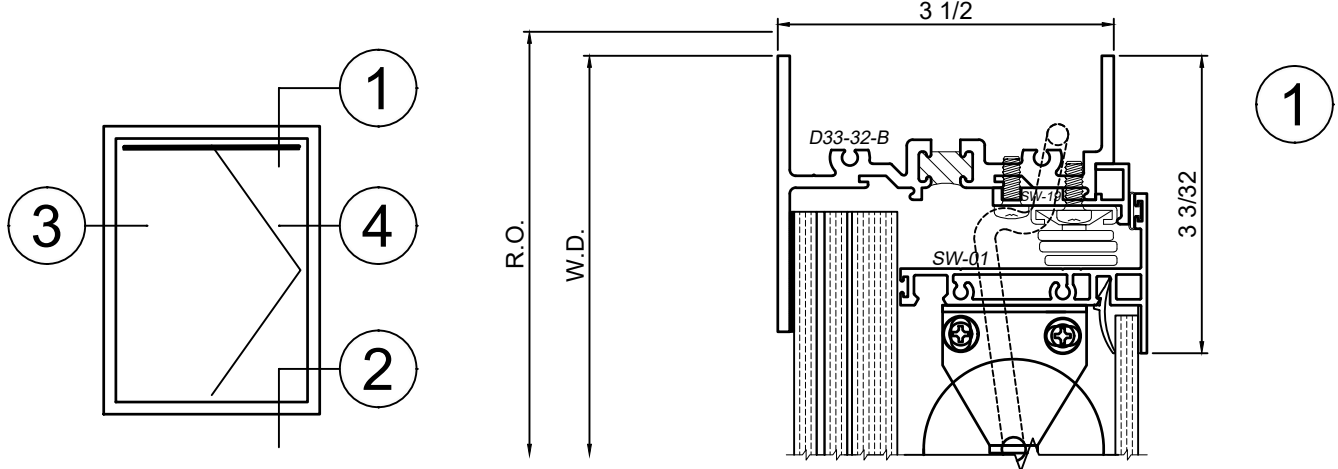
3

4

# Transira™ Motorized Shade Accessory Sash in 3350 Frame Product Details - Fixed Configuration w/ BR-2 Ballistic Glazing



Note: Multiple configurations of this window system are available. Refer to the WINCO website for additional options or contact your local WINCO Sales Representative for information.



SCALE 6"=1'-0"

WINCO RESERVES THE RIGHT TO MODIFY OR CHANGE INFORMATION WITHIN THIS BOOK WHEN DEEMED NECESSARY FOR PRODUCT IMPROVEMENT

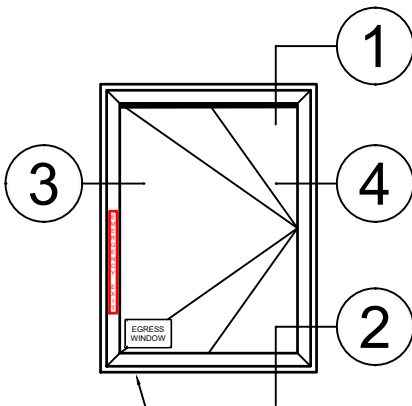
© WINCO WINDOW COMPANY, INC. 2020

# Transira™ Motorized Shade Accessory Sash in 3350 Frame Product Details - Casement Configuration w/ BR-2 Ballistic Glazing

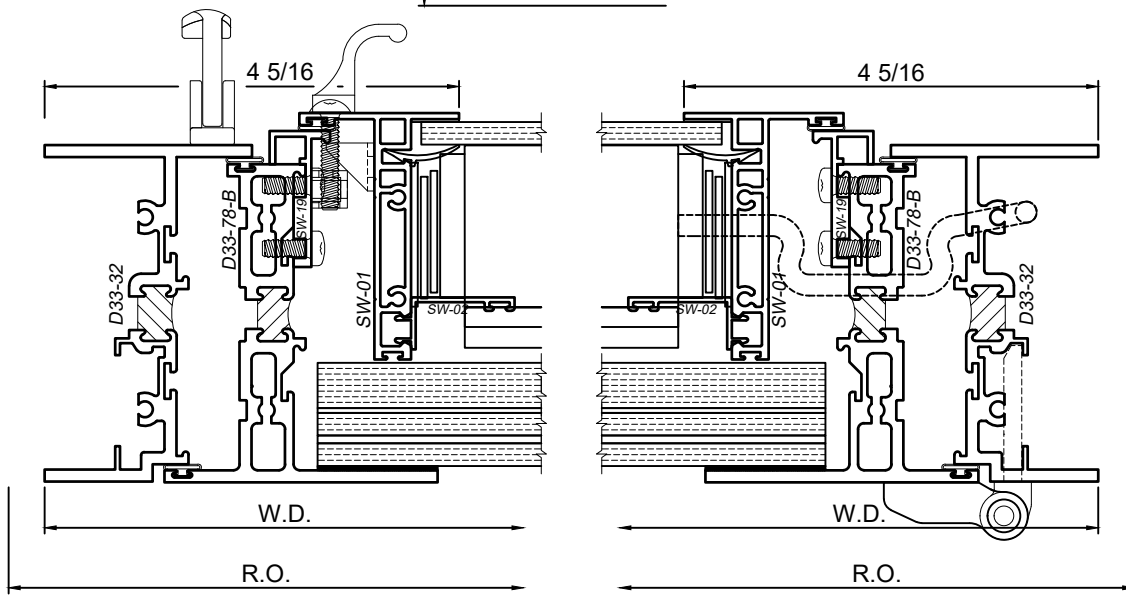
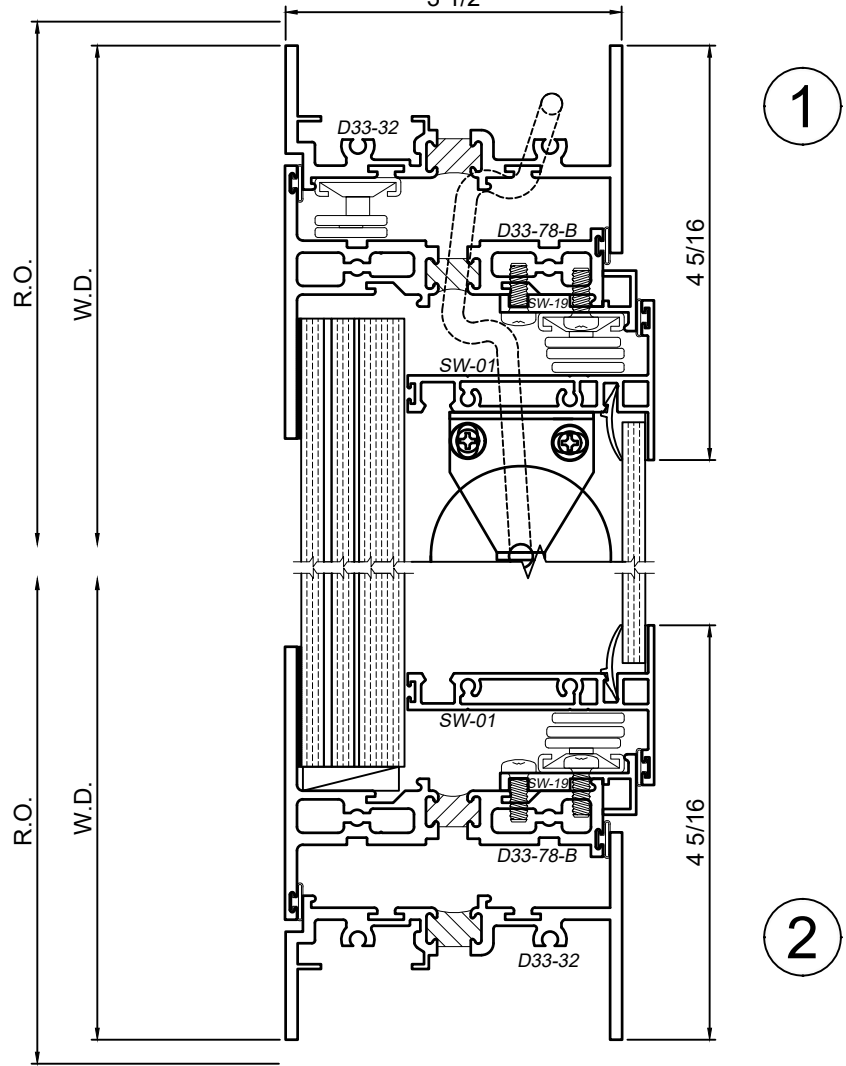


Note: Multiple configurations of this window system are available. Refer to the WINCO website for additional options or contact your local WINCO Sales Representative for information.

WINCO RESERVES THE RIGHT TO MODIFY OR CHANGE INFORMATION WITHIN THIS BOOK WHEN DEEMED NECESSARY FOR PRODUCT IMPROVEMENT



Vent can be configured to meet NFPA 101 requirements for use as Means of Secondary Egress if Minimum size limits are met.



SCALE 6"=1'-0"

3

4

# Transira™ Motorized Shade Accessory Sash Product Details -

---



WINCO RESERVES THE RIGHT TO MODIFY OR CHANGE INFORMATION WITHIN  
THIS BOOK WHEN DEEMED NECESSARY FOR PRODUCT IMPROVEMENT

**This page is purposely left blank**

© WINCO WINDOW COMPANY, INC. 2020

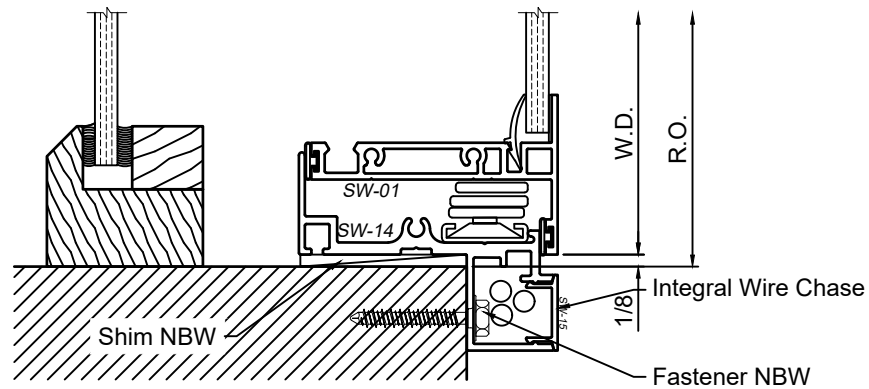
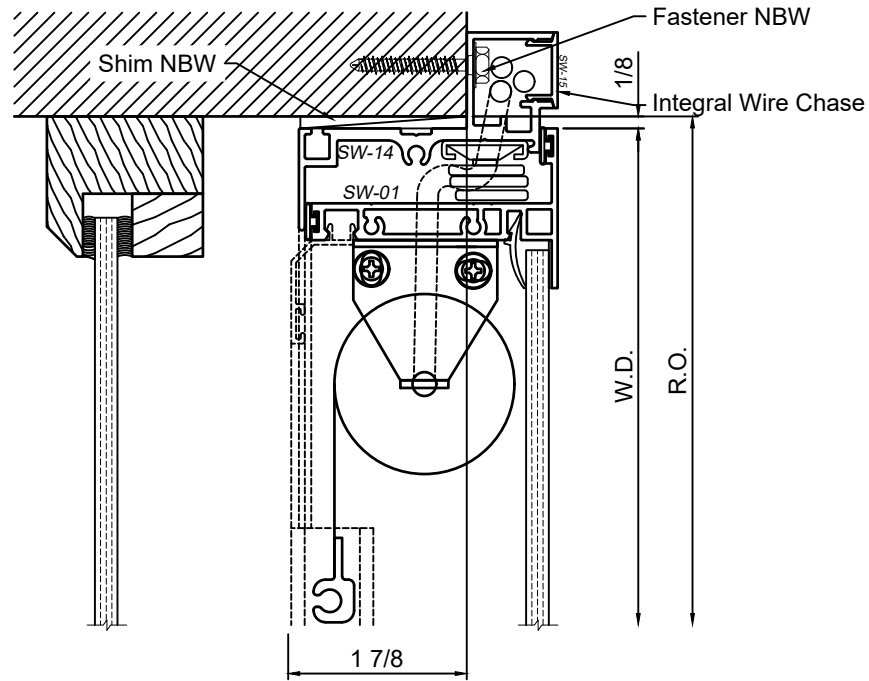
---

SCALE 6"=1'-0"

# Transira™ Motorized Shade Accessory Sash Product Details - Trim - Retro-fit Option w/ Existing Window



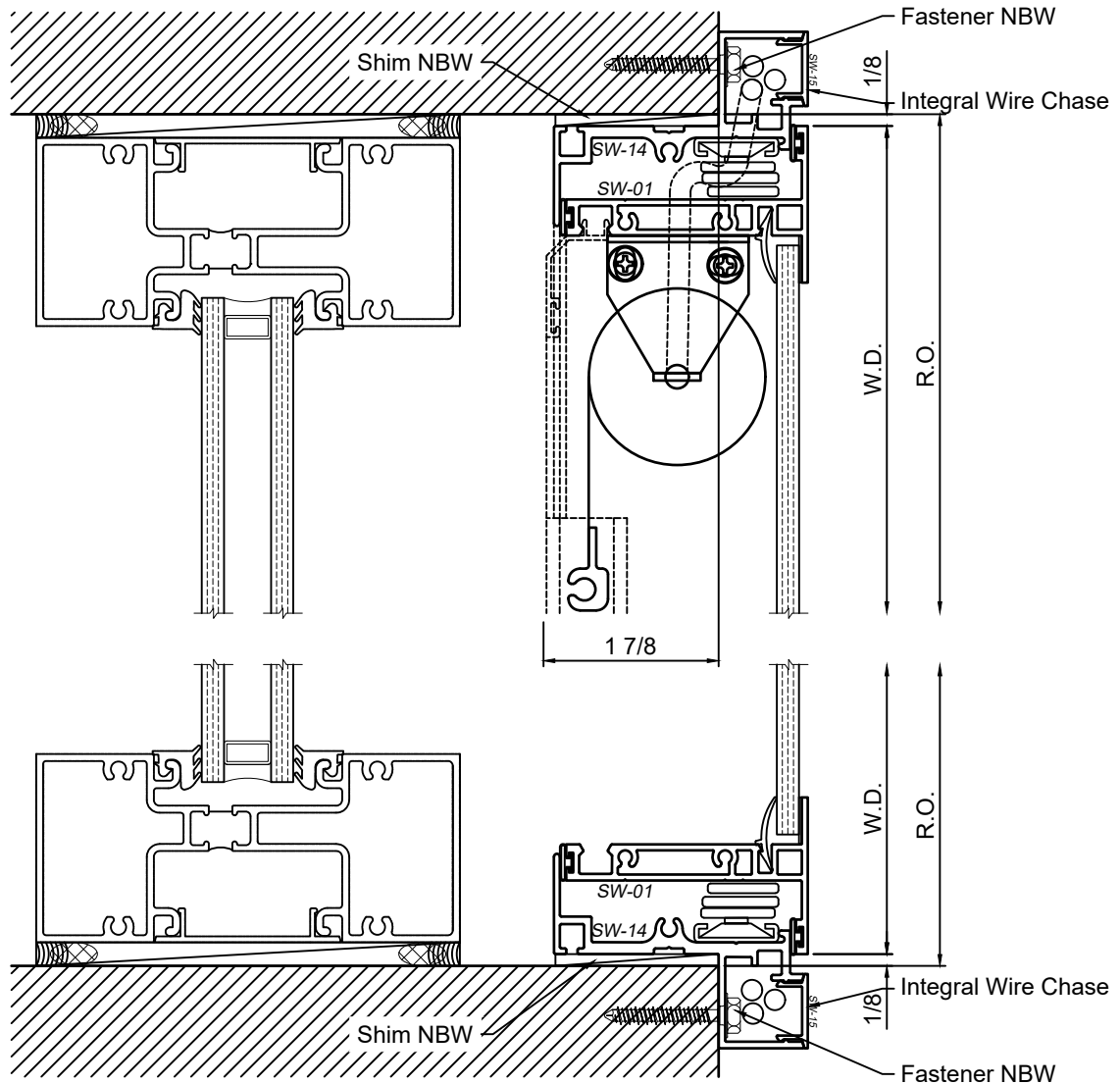
WINCO RESERVES THE RIGHT TO MODIFY OR CHANGE INFORMATION WITHIN THIS BOOK WHEN DEEMED NECESSARY FOR PRODUCT IMPROVEMENT



© WINCO WINDOW COMPANY, INC. 2020

SCALE 6"=1'-0"

# Transira™ Motorized Shade Accessory Sash Product Details - Trim - Retro-fit Option w/ S.F. or C.W.



WINCO RESERVES THE RIGHT TO MODIFY OR CHANGE INFORMATION WITHIN THIS BOOK WHEN DEEMED NECESSARY FOR PRODUCT IMPROVEMENT

© WINCO WINDOW COMPANY, INC. 2020

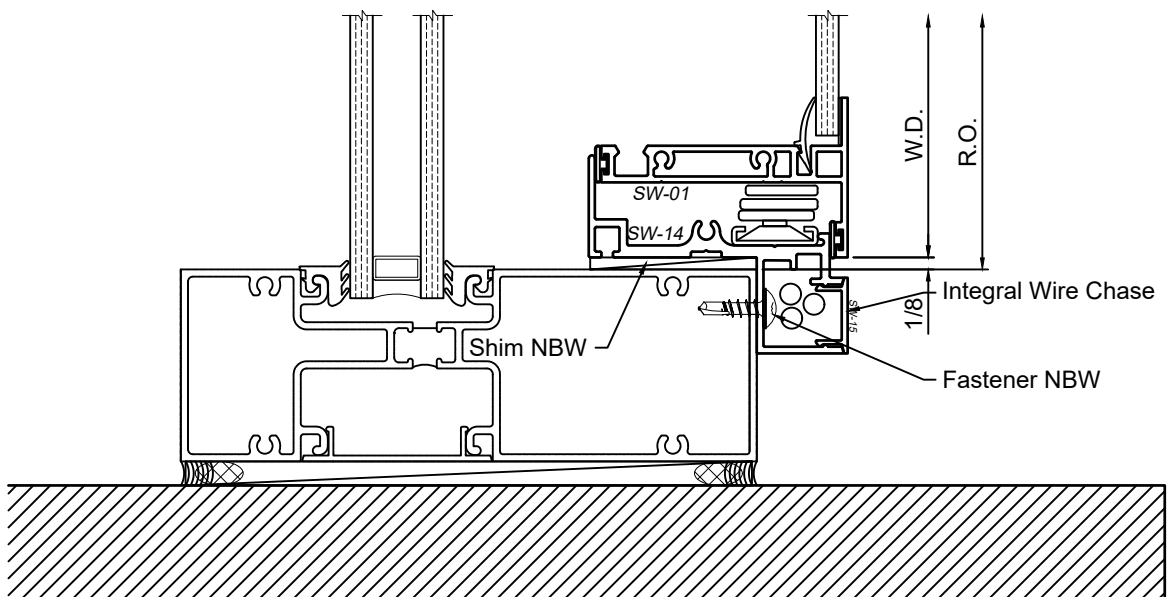
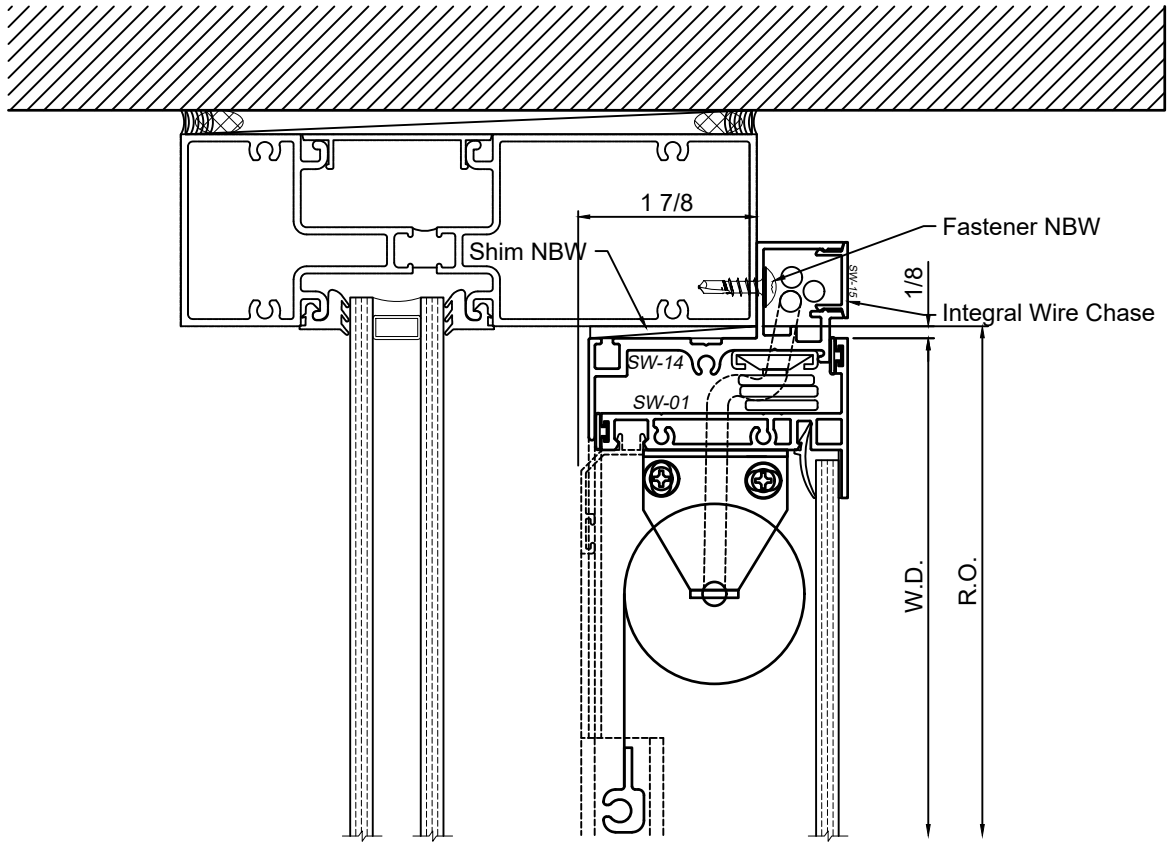
SCALE 6"=1'-0"



# Transira™ Motorized Shade Accessory Sash Product Details - Trim - Retro-fit Option within S.F. or C.W.



WINCO RESERVES THE RIGHT TO MODIFY OR CHANGE INFORMATION WITHIN THIS BOOK WHEN DEEMED NECESSARY FOR PRODUCT IMPROVEMENT



© WINCO WINDOW COMPANY, INC. 2020

SCALE 6"=1'-0"

# Transira™ Motorized Shade Accessory Sash

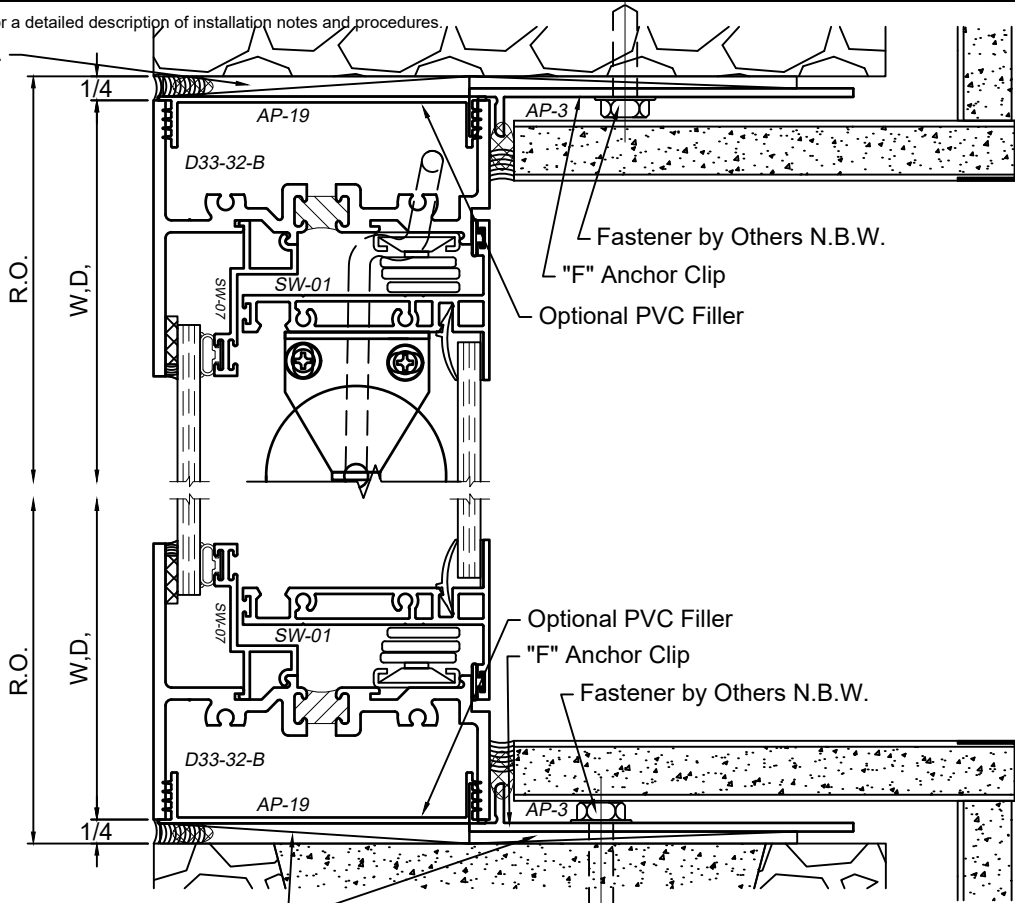
## Product Details - Trim - F-Anchor and Snap Trim Installation



Note: See Winco Installation Instructions for a detailed description of installation notes and procedures.

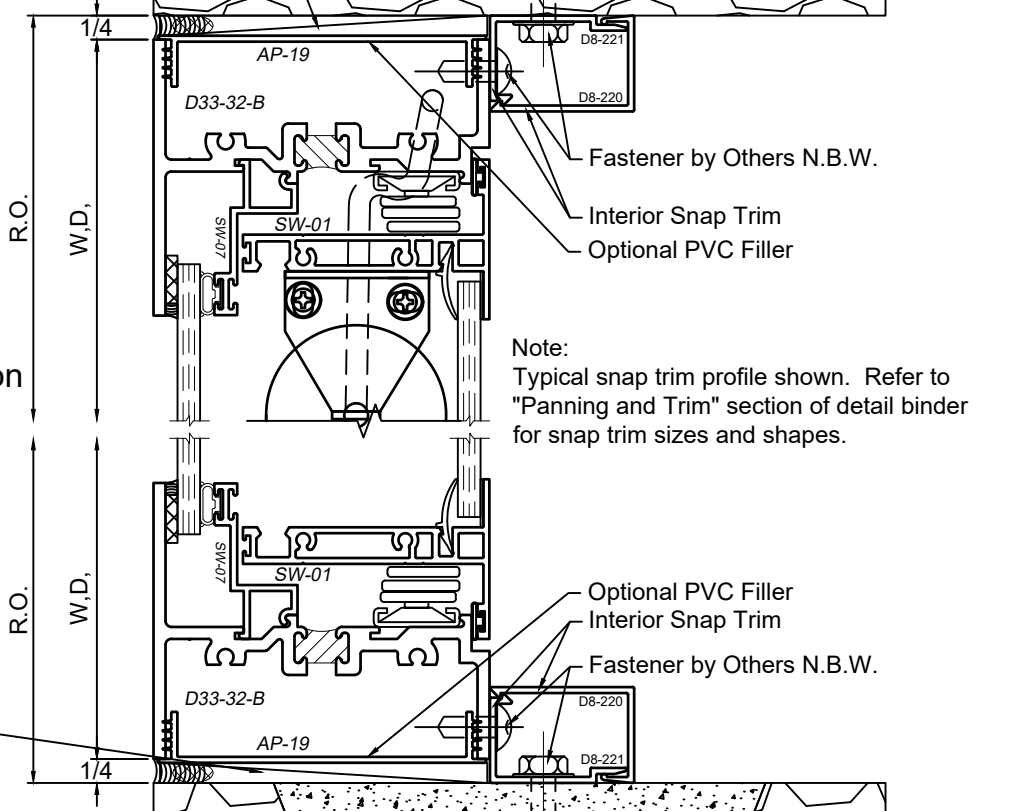
Shim by Others N.B.W.

"F" Clip Installation



Shim by Others N.B.W.

Snap Trim Installation



Note:  
Typical snap trim profile shown. Refer to "Panning and Trim" section of detail binder for snap trim sizes and shapes.

Shim by Others N.B.W.

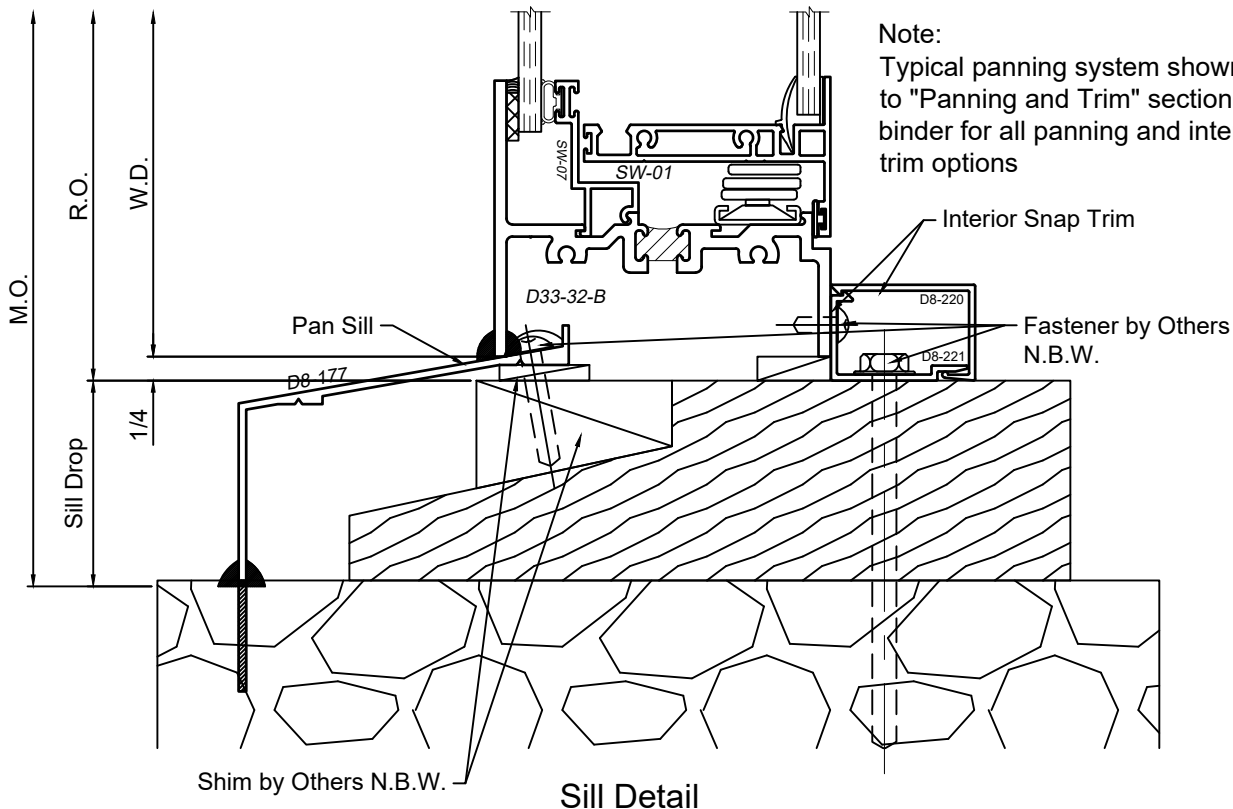
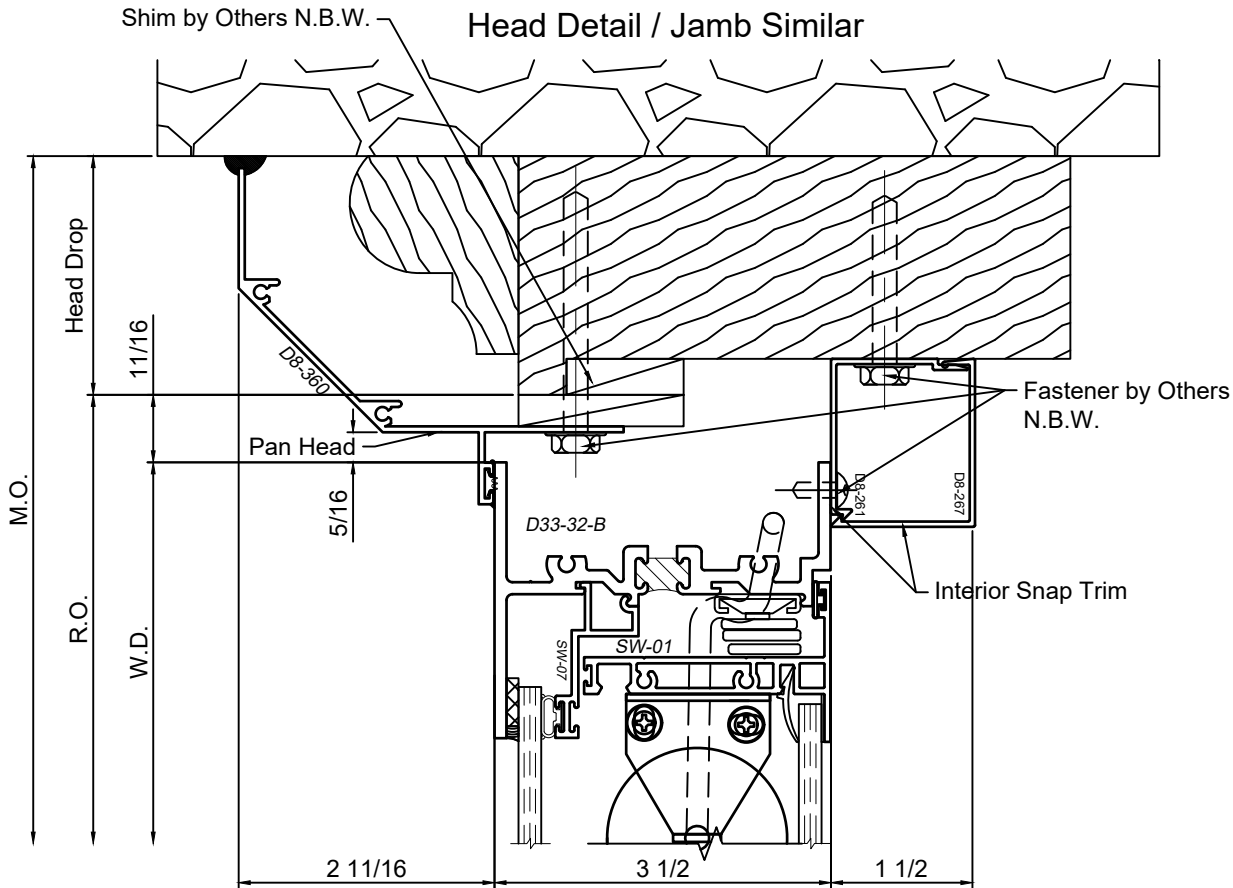
SCALE 6"=1'-0"

WINCO RESERVES THE RIGHT TO MODIFY OR CHANGE INFORMATION WITHIN THIS BOOK WHEN DEEMED NECESSARY FOR PRODUCT IMPROVEMENT

© WINCO WINDOW COMPANY, INC. 2020

# Transira™ Motorized Shade Accessory Sash Product Details - Trim - Panning Installation

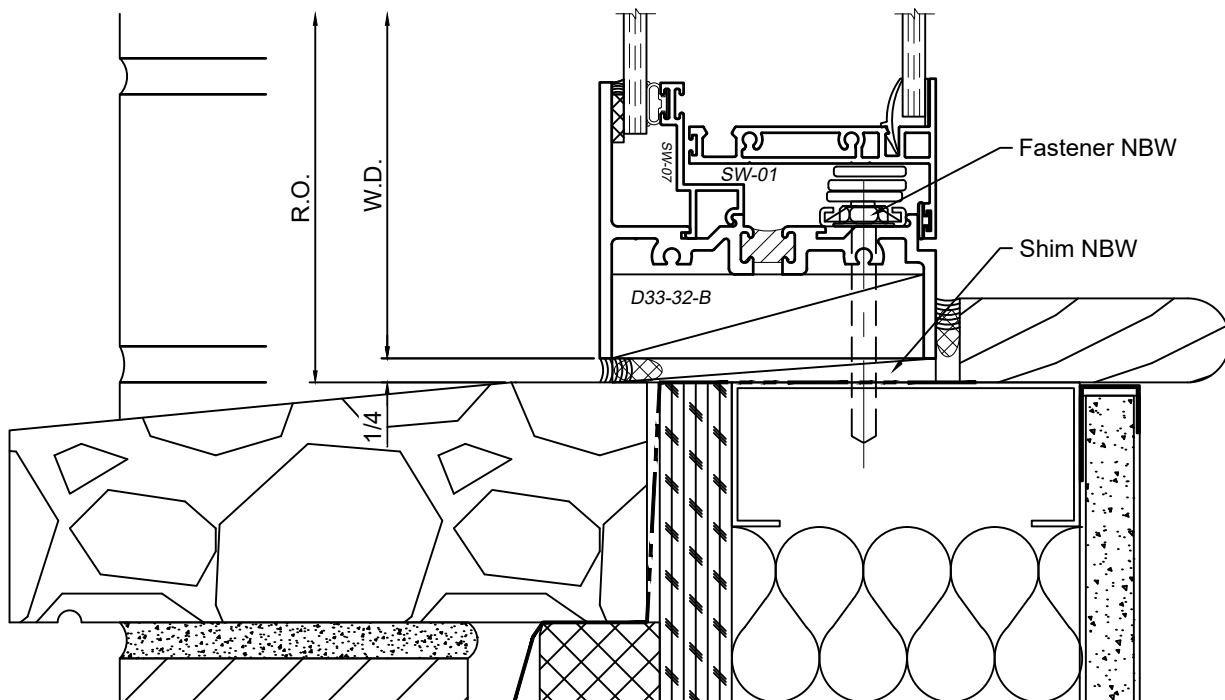
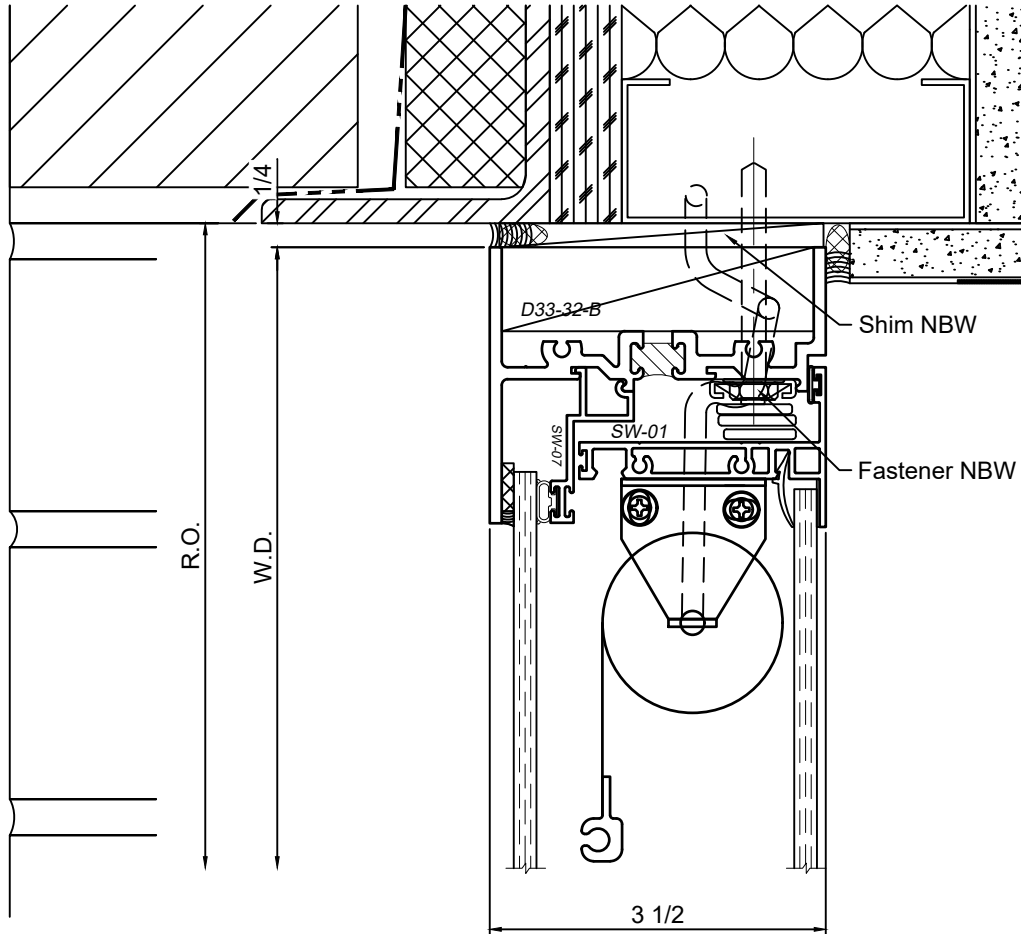
WINCO RESERVES THE RIGHT TO MODIFY OR CHANGE INFORMATION WITHIN THIS BOOK WHEN DEEMED NECESSARY FOR PRODUCT IMPROVEMENT



SCALE 6"=1'-0"

# Transira™ Motorized Shade Accessory Sash

## Product Details - Stand-alone Window Installation w/out Trim



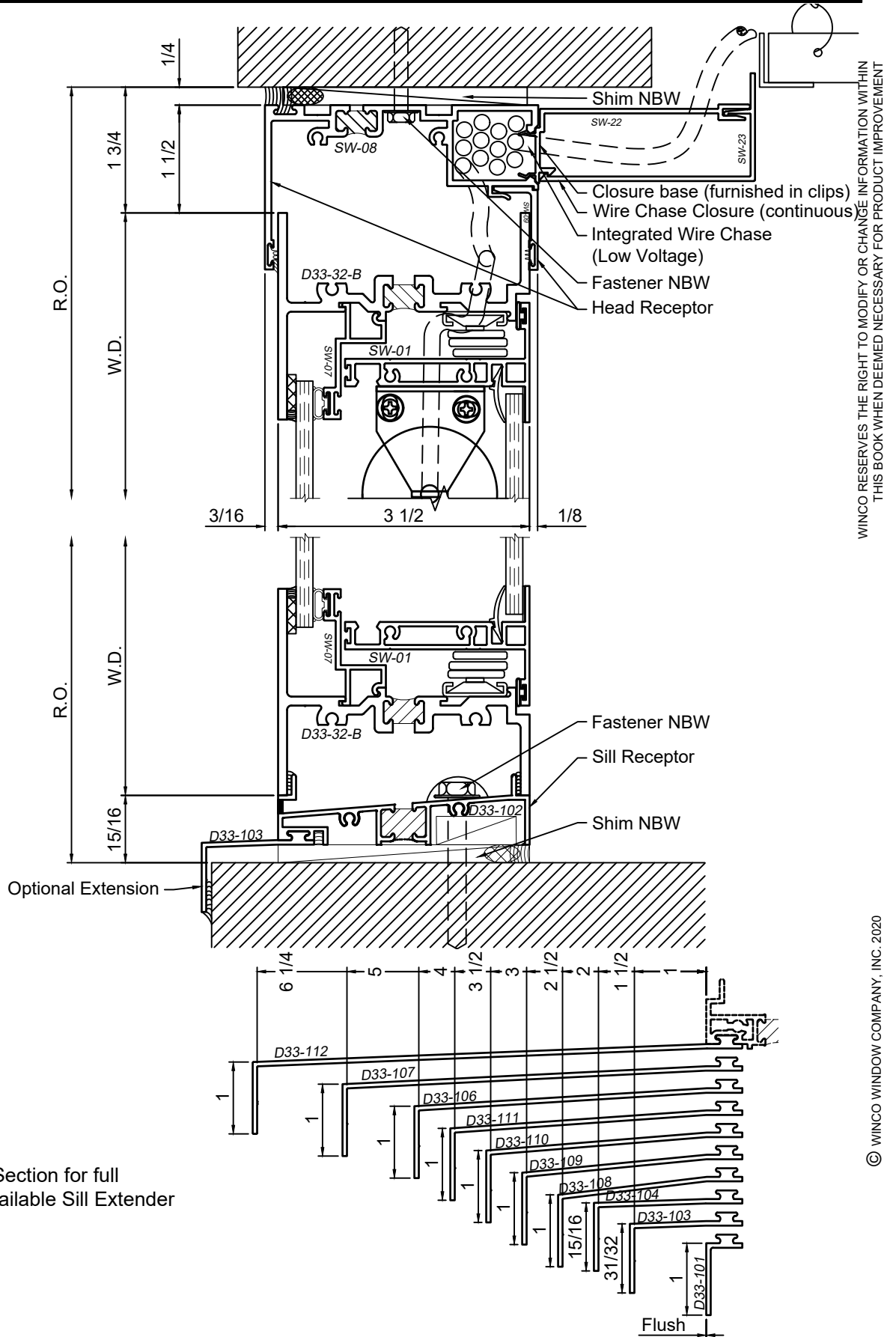
WINCO RESERVES THE RIGHT TO MODIFY OR CHANGE INFORMATION WITHIN THIS BOOK WHEN DEEMED NECESSARY FOR PRODUCT IMPROVEMENT

© WINCO WINDOW COMPANY, INC. 2020

SCALE 6"=1'-0"



# Transira™ Motorized Shade Accessory Sash Product Details - Trim - 3350 w/ SW-22 Wirechase Receptor



WINCO RESERVES THE RIGHT TO MODIFY OR CHANGE INFORMATION WITHIN THIS BOOK WHEN DEEMED NECESSARY FOR PRODUCT IMPROVEMENT

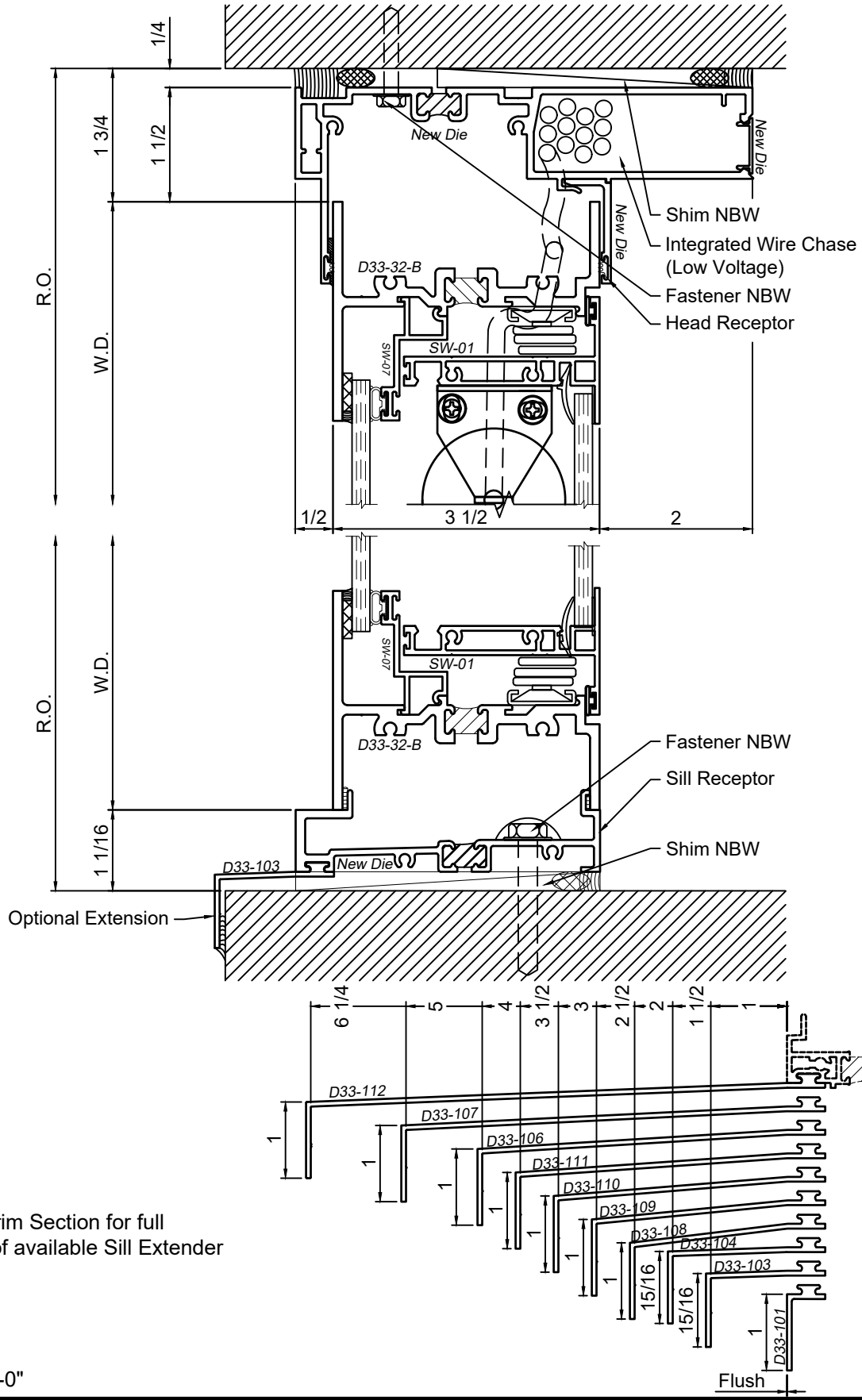
© WINCO WINDOW COMPANY, INC. 2020

Refer to Trim Section for full selection of available Sill Extender Extrusions

SCALE 6"=1'-0"



# Transira™ Motorized Shade Accessory Sash Product Details - Trim - 3350 w/ SW-xx Wirechase Receptor



WINCO RESERVES THE RIGHT TO MODIFY OR CHANGE INFORMATION WITHIN THIS BOOK WHEN DEEMED NECESSARY FOR PRODUCT IMPROVEMENT

© WINCO WINDOW COMPANY, INC. 2020

Refer to Trim Section for full selection of available Sill Extender Extrusions

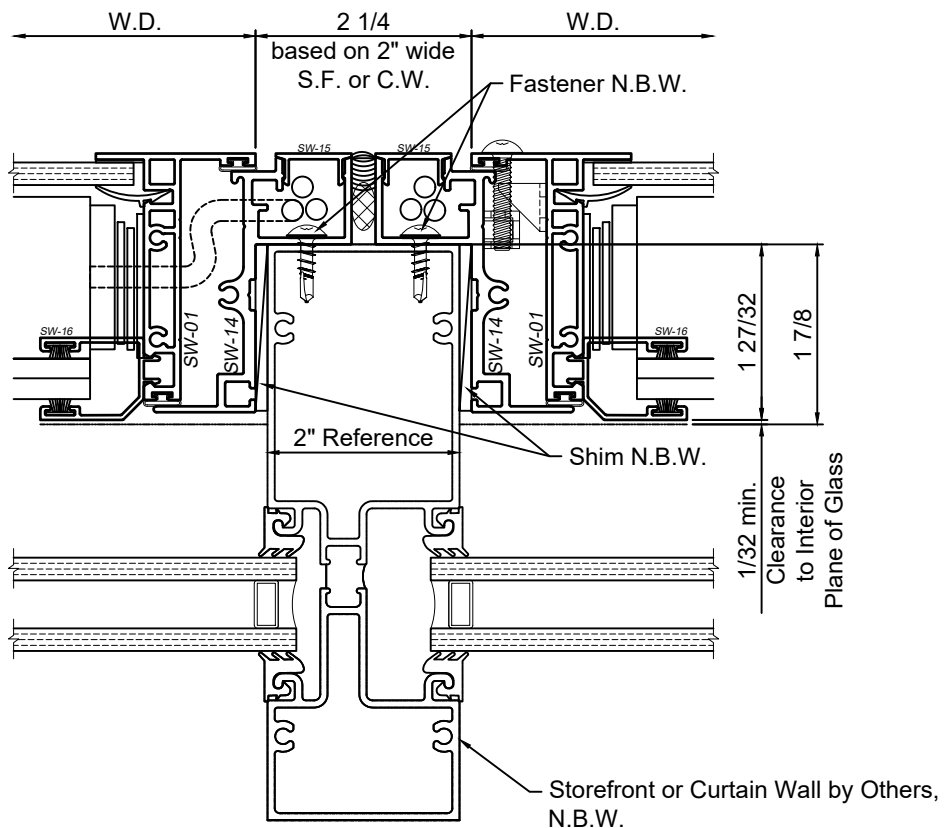
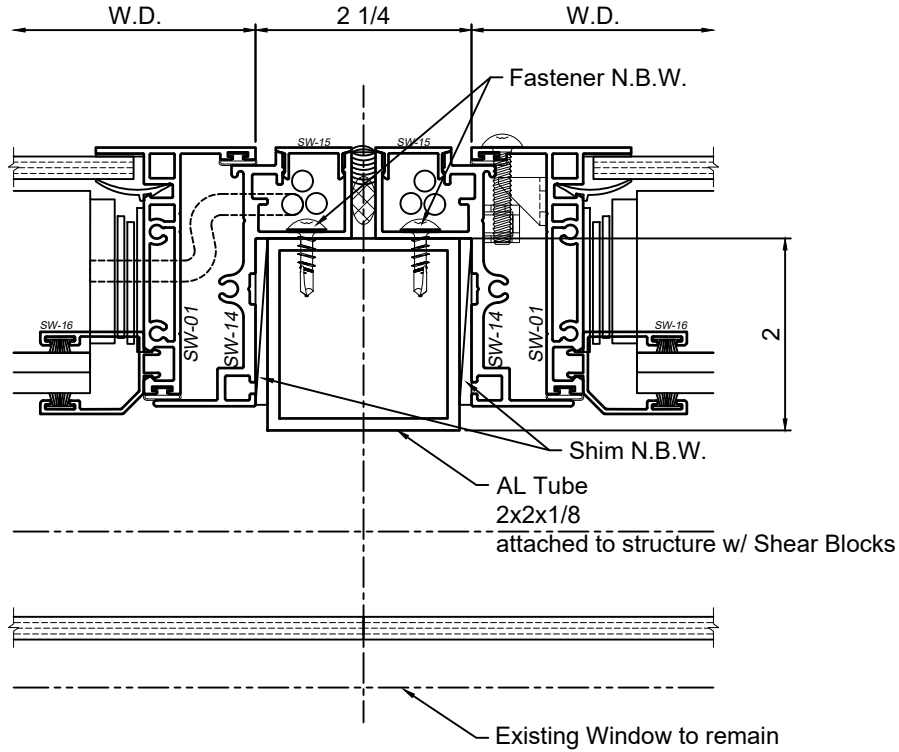
SCALE 6"=1'-0"



# Transira™ Motorized Shade Accessory Sash Product Details - Trim - Retro-fit Option Side by Side



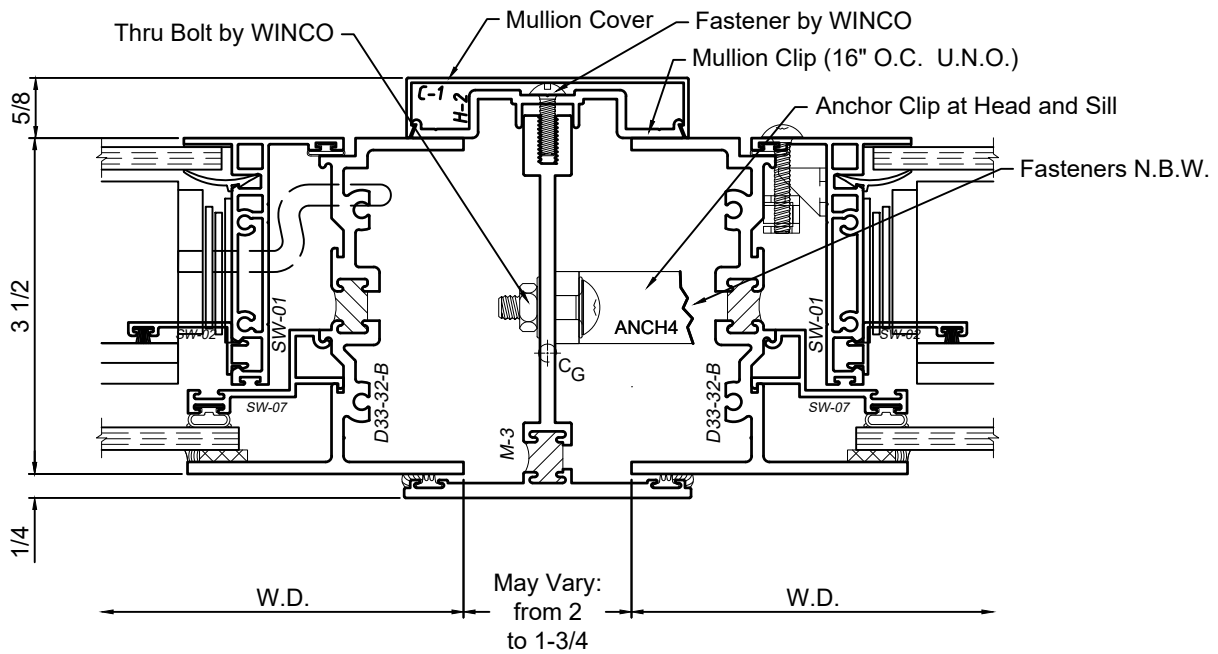
WINCO RESERVES THE RIGHT TO MODIFY OR CHANGE INFORMATION WITHIN THIS BOOK WHEN DEEMED NECESSARY FOR PRODUCT IMPROVEMENT



© WINCO WINDOW COMPANY, INC. 2020

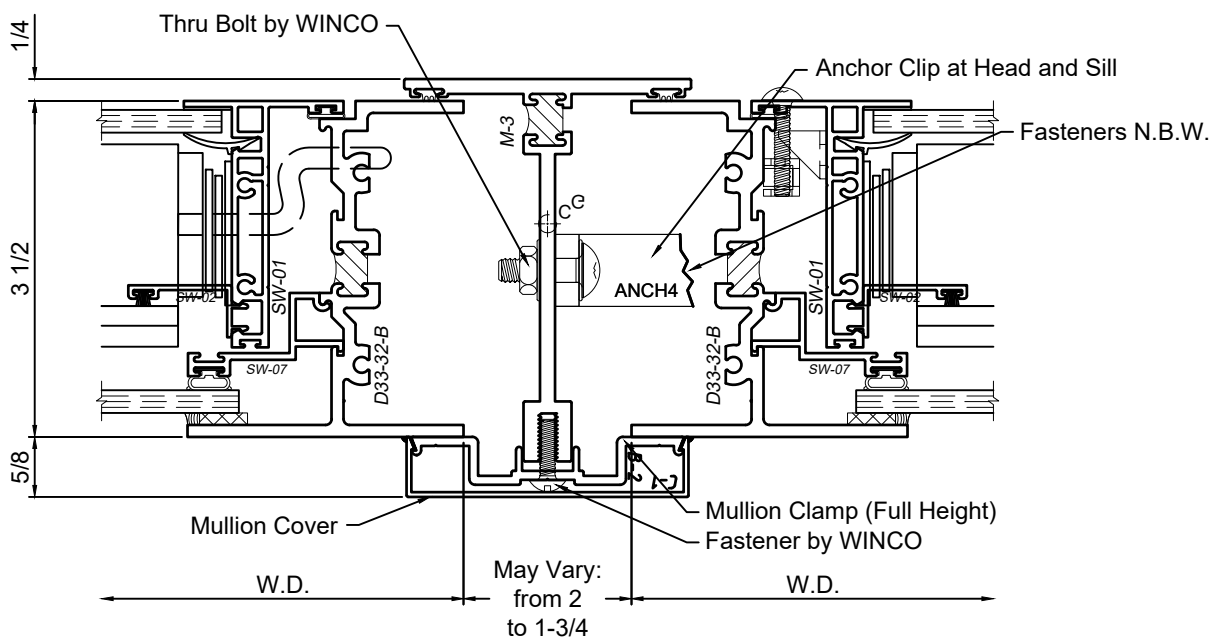
SCALE 6"=1'-0"

### M-3 Mullion set from Building Interior



WINCO RESERVES THE RIGHT TO MODIFY OR CHANGE INFORMATION WITHIN THIS BOOK WHEN DEEMED NECESSARY FOR PRODUCT IMPROVEMENT

### M-3 Mullion set from Building Exterior



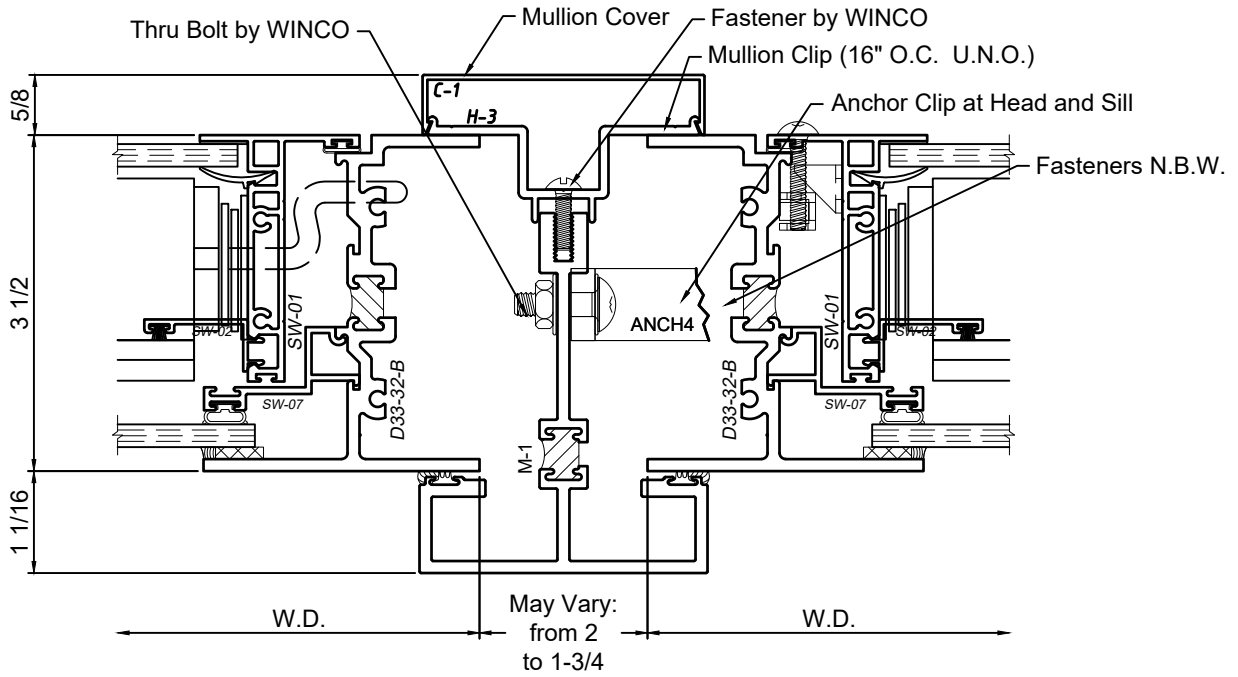
© WINCO WINDOW COMPANY, INC. 2020

SCALE 6"=1'-0"

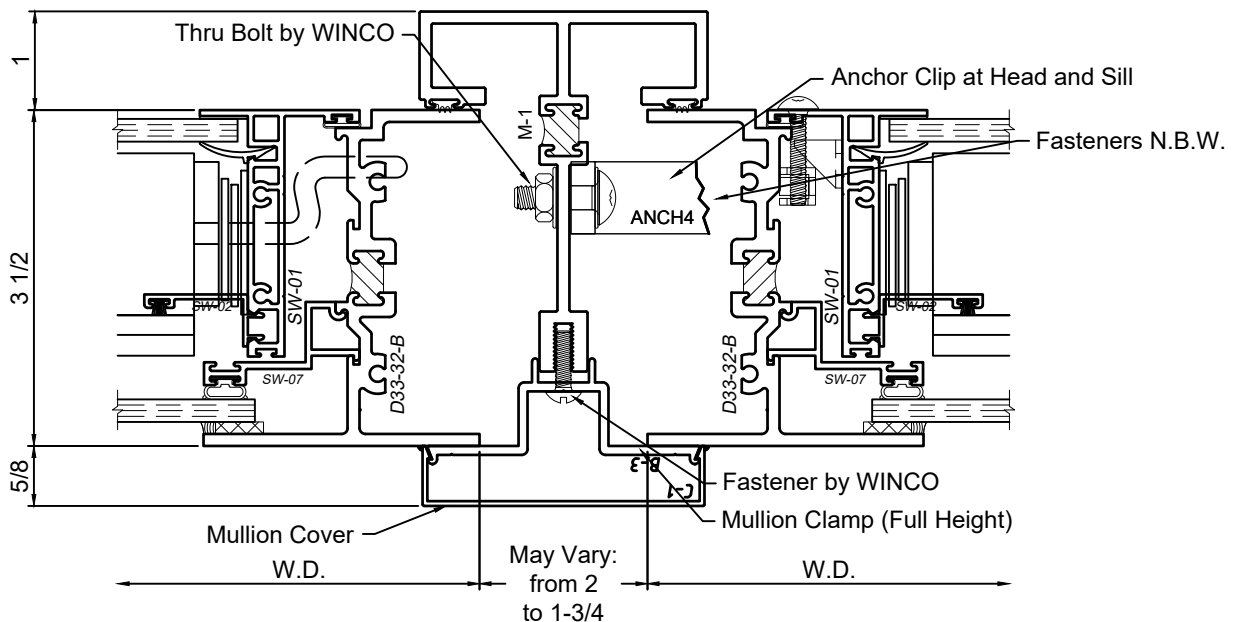
# Transira™ Motorized Shade Accessory Sash Product Details - Trim - M-1 Semi Tube Mullion



## M-1 Mullion set from Building Interior

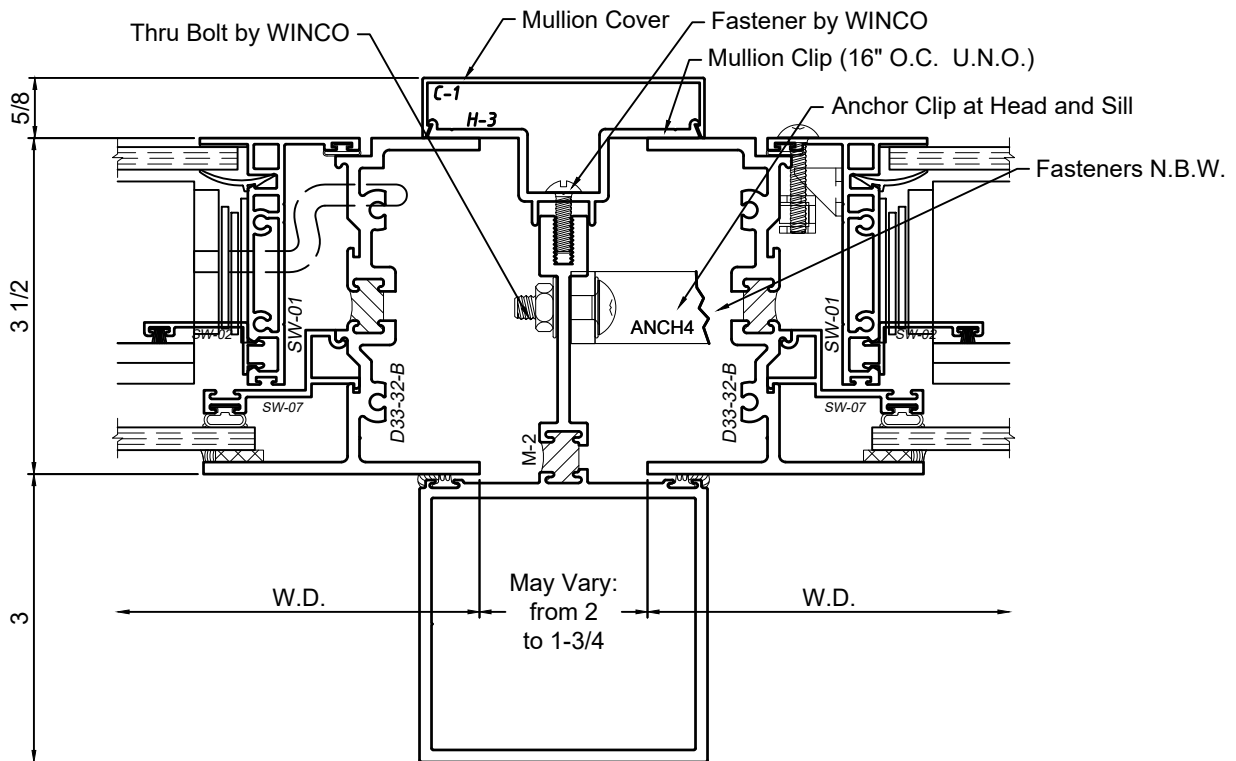


## M-1 Mullion set from Building Exterior



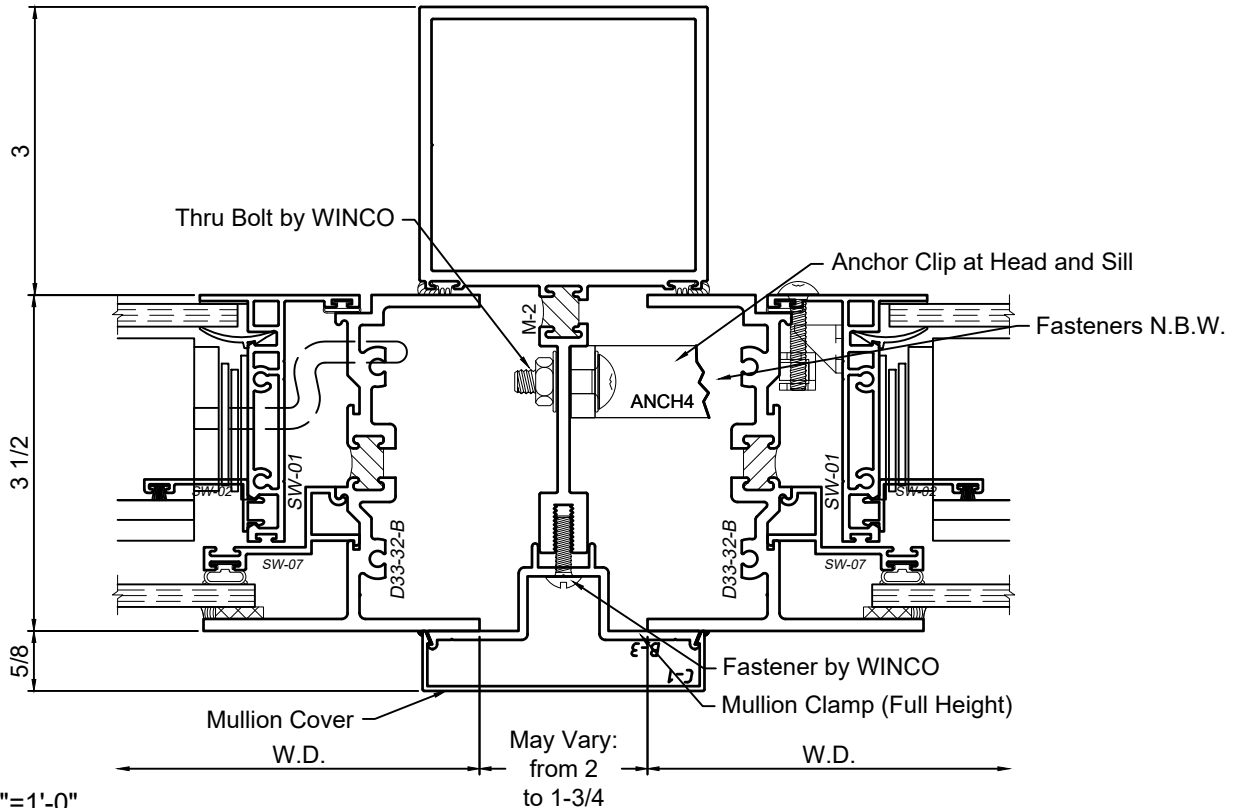
SCALE 6"=1'-0"

### M-2 Mullion set from Building Interior



WINCO RESERVES THE RIGHT TO MODIFY OR CHANGE INFORMATION WITHIN THIS BOOK WHEN DEEMED NECESSARY FOR PRODUCT IMPROVEMENT

### M-2 Mullion set from Building Exterior



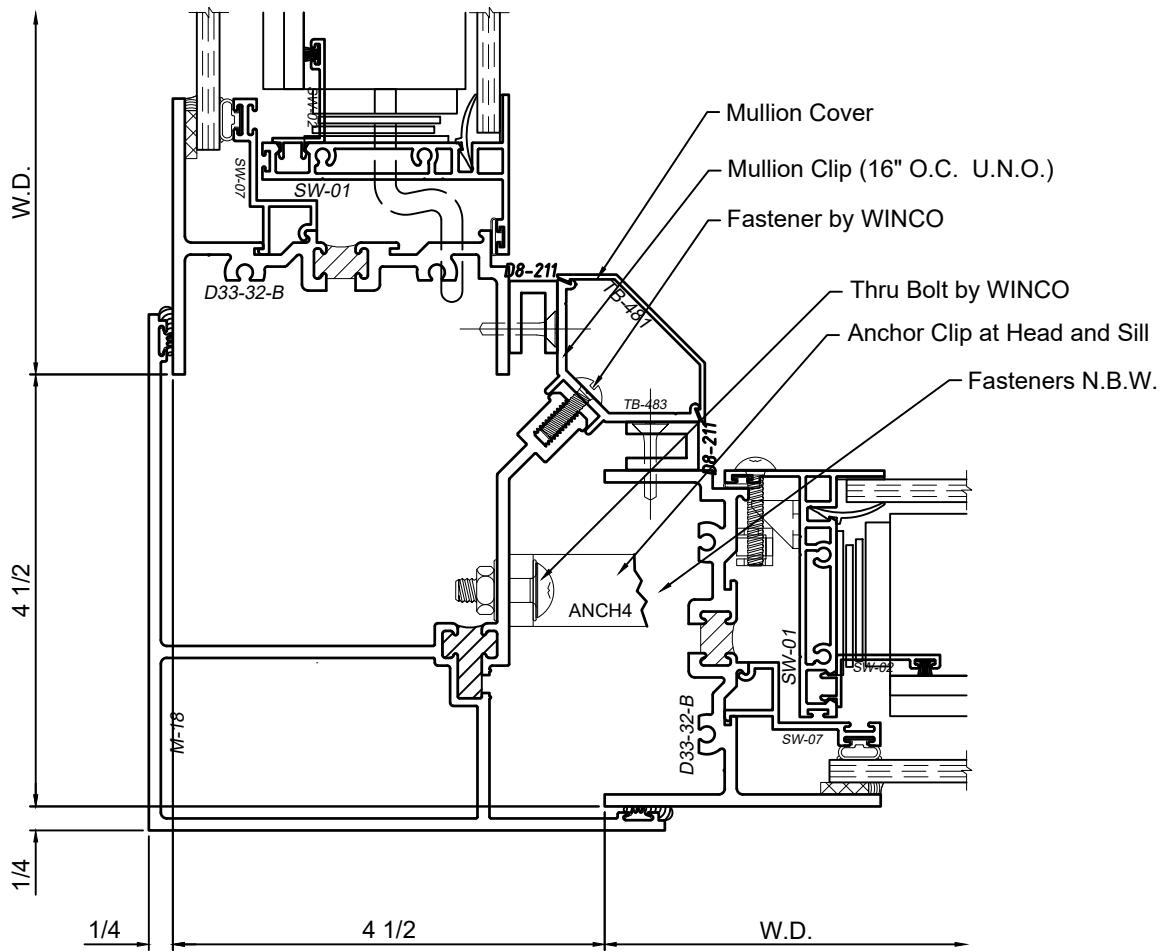
© WINCO WINDOW COMPANY, INC. 2020

SCALE 6"=1'-0"

# Transira™ Motorized Shade Accessory Sash Product Details - Trim - M-18 90° Corner Mullion



WINCO RESERVES THE RIGHT TO MODIFY OR CHANGE INFORMATION WITHIN THIS BOOK WHEN DEEMED NECESSARY FOR PRODUCT IMPROVEMENT

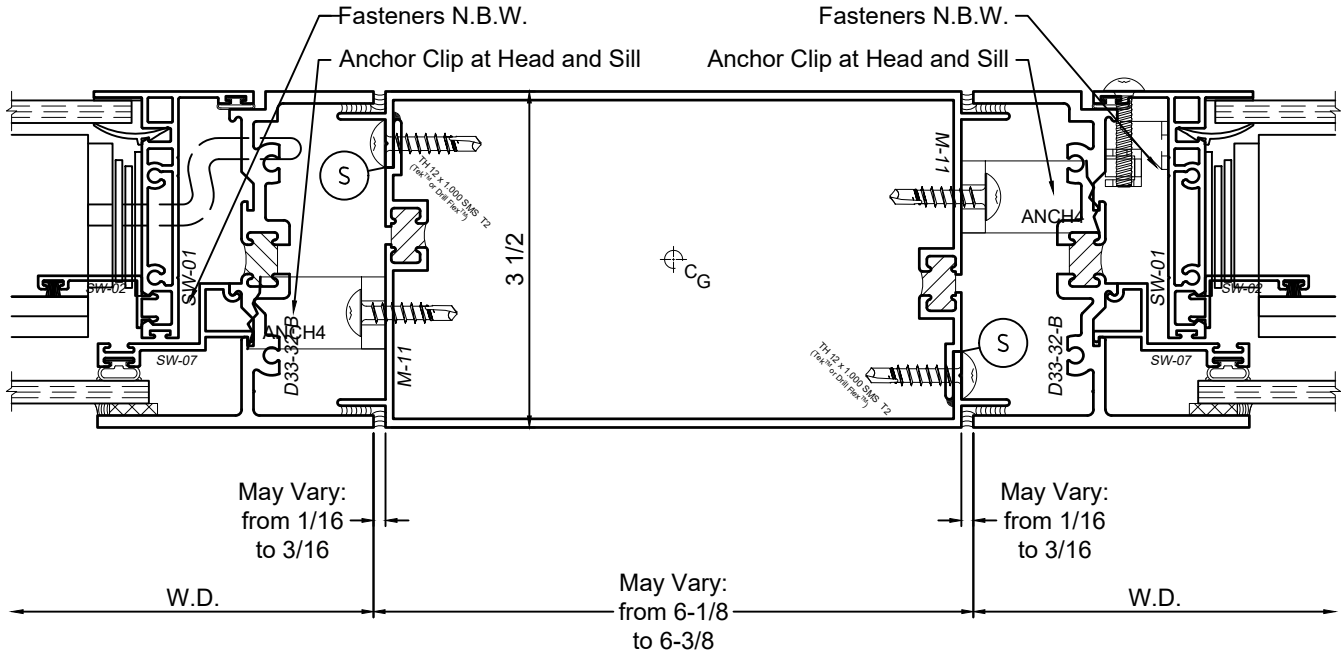


© WINCO WINDOW COMPANY, INC. 2020

SCALE 6"=1'-0"

### M-11 Mullion

Recommended usage only with Jamb Receptor for required installation clearances



WINCO RESERVES THE RIGHT TO MODIFY OR CHANGE INFORMATION WITHIN THIS BOOK WHEN DEEMED NECESSARY FOR PRODUCT IMPROVEMENT

© WINCO WINDOW COMPANY, INC. 2020

SCALE 6"=1'-0"