



# Series 3325SF Zero Sightline Storefront

3-1/4" Architectural Grade Window System  
Projected - Casement



## Product Overview

Typically designed for ground floor entrance systems and windows up to 10 feet, the 3325SF series zero sightline storefront window offers strength, durability, and flexibility to also be used in a second or third floor installation in non-residential, non-load-bearing exterior walls of commercial and retail buildings.

Available prefabricated and pre-glazed, the 3325SF series is available in multiple configurations: vertical or horizontal rails allowing two vents in one frame, outswing casement, and projected out awning either with or without roto operator.

HISTORIC REPLICATION

ENERGY SAVINGS

NOISE CONTROL

GREEN COMMITMENT

## Features & Custom Options

- Azon "Azo-Brader" thermally broken frame backed by a 10 year warranty against thermal break shrinkage
- A fully mitered overlap sash configuration has 1/8" wall thickness with fully sealed corners and dual weather-stripping
- Factory glazed with 1" glass and 3M VHB structural glazing tape
- Wide variety of locking and operating hardware available
- Vertical or horizontal rail allowing two vents in one opening
- Optional aluminum extruded screens
- Optional blast glazed

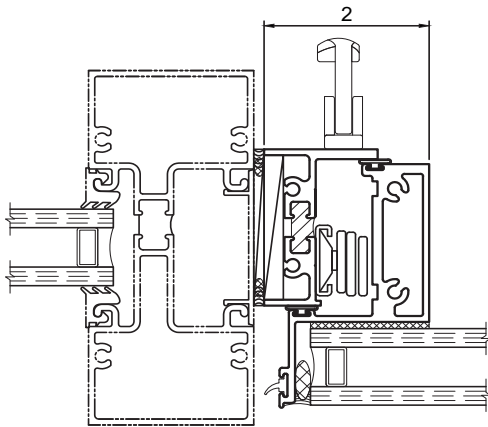
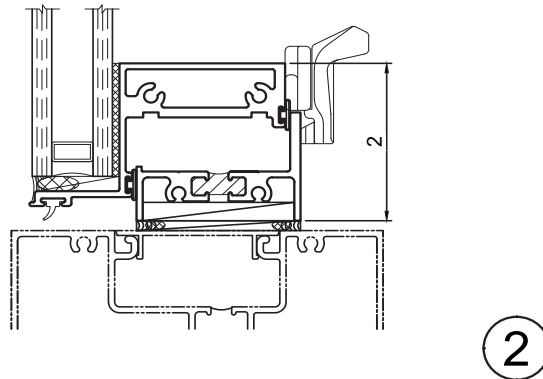
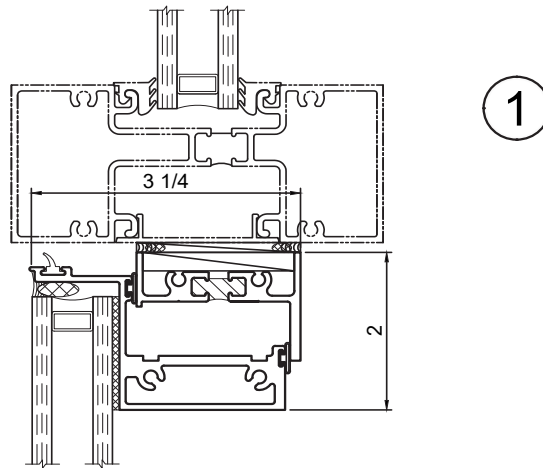
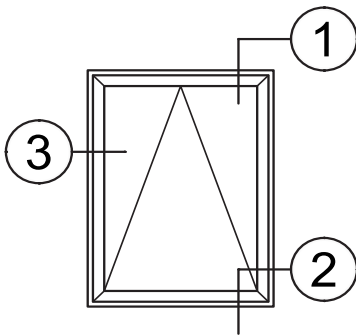
## Performance Data\*

Type	Air (CFM/FT2 @ 6.24 PSF)	Water (PSF)	Structural (PSF)	CRF	U-Value (Btu/Hr-Ft <sup>2</sup> -°F)	STC
Projected AW Grade AP-AW80	Less than 0.10	12 (Higher levels may be available upon request)	+/- 120	63*	0.36*	Contact your local Rep
Casement AW Grade C-AW80	Less than 0.10	12 (Higher levels may be available upon request)	+/- 120	63*	0.36*	

\*U-Value, CRF, Water and AW ratings are based on a particular type of glazing and window configuration being used. They are provided for comparison purposes only. They are based on products of standard configuration, tested in accordance with NFRC/FGIA/AAMA specifications, in a laboratory environment under optimum conditions. Performance values will vary according to project specifications, installation, size, configuration, hardware, glass, etc. Any required field testing should be done in accordance with the project specifications and FGIA/AAMA field testing protocol, not this data.



# Series 3325SF Zero Sightline Detail Drawings



3



Winco Window Company  
6200 Maple Avenue  
St Louis, MO 63130

TESTING: Our products meet stringent testing requirements of both the American Architectural Manufacturers Association (AAMA) and the National Fenestration Rating Council (NFRC) standards and certification.

VER:120422

