

8325 Series 3-1/4" Thermal Fixed, Casement & Projected Windows

Product Information



WINCO RESERVES THE RIGHT TO MODIFY OR CHANGE INFORMATION WITHIN THIS BOOK WHEN DEEMED NECESSARY FOR PRODUCT IMPROVEMENT

PERFORMANCE

The Series 8325 window is a thermally broken mainframe and sash that exceeds the performance specification criteria as required by ANSI/AAMA for AW (Architectural Grade) windows.

Fixed			Project Out - Awning		
AAMA Rating	AW-120		AAMA Rating	AW-120	
Air Infiltration	0.01 CFM/ft ²		Air Infiltration	0.02 CFM/ft ²	
Water	Over 12 psf		Water	Over 12 psf	
Structural	180 psf		Structural	180 psf	
CRF (AAMA 1503)	69		CRF (AAMA 1503)	63	
Center of Glass U-Value	Window U-Factor ³		Center of Glass U-Value	Window U-Factor ³	
BTU/Ft ² x F° x Hr	47" x 59" ²	60" x 99" ¹	BTU/Ft ² x F° x Hr	59" x 24" ²	60" x 36" ¹
	0.20	0.27	0.24	0.20	0.39
	0.24	0.30	0.28	0.24	0.41
	0.29	0.35	0.33	0.29	0.44
	0.34	0.38	0.36	0.34	0.46
	0.47	0.49	0.48	0.47	0.54
				0.52	0.52

Project In - Hopper			Casement		
AAMA Rating	AW-80		AAMA Rating	AW-80	
Air Infiltration	0.07 CFM/ft ²		Air Infiltration	0.03 CFM/ft ²	
Water	Over 12 psf		Water	Over 12 psf	
Structural	120 psf		Structural	120 psf	
CRF (AAMA 1503)	63		CRF (AAMA 1503)	63	
Center of Glass U-Value	Window U-Factor ³		Center of Glass U-Value	Window U-Factor ³	
BTU/Ft ² x F° x Hr	59" x 24" ²	60" x 36" ¹	BTU/Ft ² x F° x Hr	24" x 59" ²	36" x 60" ¹
	0.20	0.39	0.34	0.20	0.39
	0.24	0.41	0.37	0.24	0.41
	0.29	0.44	0.41	0.29	0.44
	0.34	0.46	0.43	0.34	0.46
	0.47	0.54	0.52	0.47	0.54
				0.52	0.52

This Information is based on current product design, sealed dual glazing, warm edge spacers and testing standards.

Please contact WINCO for project specific information

¹ AAMA 101 Test Size

² NFRC Gateway Test Size

³ Based on NFRC 100

© WINCO WINDOW COMPANY, INC. 2020

CONSTRUCTION

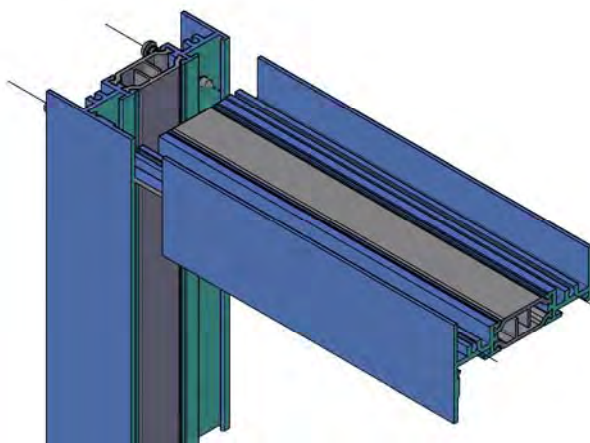
MATERIAL - The Series 8325 window is a 3-1/4" deep frame depth with a nominal wall thickness of 0.125 inch. All material is extruded from 6063-T6 alloy.

THERMAL BREAK - All framing members of the window system are thermally broken. Winco uses polyamide struts for all frame and vent extrusion profiles.

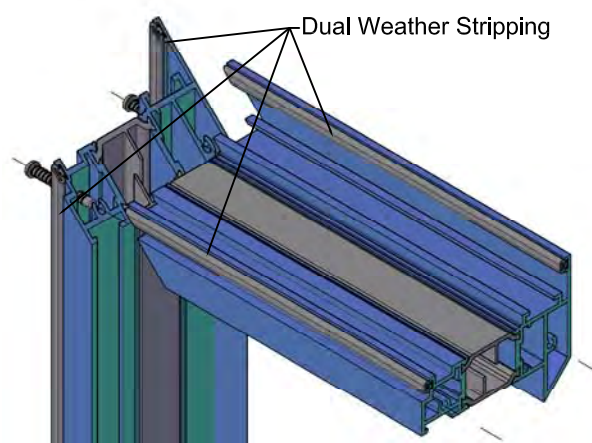
WEATHER-STRIP - All operating ventilators have a double Santoprene®, non-shrinking dual durometer, thermoplastic rubber weather-stripping around the perimeter. One interior and one exterior.

FABRICATION - The main frame corners are coped and mechanically joined using two stainless steel spline screws per corner (fig 1). The vent is a hollow tube shaped extrusion for superior strength and rigidity. Vent corners are fully mitered and mechanically joined using two stainless steel spline screws per corner, aligning the members to form a hairline joint (fig 2). All frame joints are back sealed with small joint seam sealer providing a water tight joinery.

WINCO RESERVES THE RIGHT TO MODIFY OR CHANGE INFORMATION WITHIN THIS BOOK WHEN DEEMED NECESSARY FOR PRODUCT IMPROVEMENT



(fig 1) Main Frame Construction



(fig 2) Vent Construction

© WINCO WINDOW COMPANY, INC. 2020

8325 Series 3-1/4" Thermal Fixed, Casement & Projected Windows

Product Information



WINCO RESERVES THE RIGHT TO MODIFY OR CHANGE INFORMATION WITHIN THIS BOOK WHEN DEEMED NECESSARY FOR PRODUCT IMPROVEMENT

GLAZING

The windows can be interior glazed with .050 thick extruded aluminum glazing bead accommodating thicknesses ranging from 1/8" to 1-3/4". The standard glazing thickness is 1".

Glazing Thickness	1/8"	3/16"	1/4"	5/16"	1/2"	5/8"	3/4"	7/8"	1"	1-1/4"	1-1/2"	1-3/4"	2"	2-1/4"
Monolithic	X	X	X	-	-	-	-	-	-	-	-	-	-	-
Insulated	-	-	-	-	-	-	X	X	X	-	X ^a	X ^a	-	-
Dual Glazed	Exterior	X	X	X	-	-	-	-	-	-	-	-	-	-
	Interior	X	X	X	X	-	-	-	-	-	-	-	-	-
Triple Glazed	Exterior	-	-	-	-	-	-	-	-	-	-	-	-	-
	Interior	-	-	-	-	-	-	-	-	-	-	-	-	-

Winco has different gaskets and glazing methods that can accommodate odd thicknesses of glass. If you do not see what you are looking for within this chart please contact your local representative for information regarding your specific project needs

^a Glazing Infill thicker than 1" will only fit into fixed lites.

HARDWARE

All exposed locking hardware, strikes and keepers are solid white bronze alloy with US25D brushed finish. All four bar arms, casement arms, friction arms and key release limit arms are stainless steel conforming to AAMA 904.1. Five knuckle butt hinges are fabricated of 6063-T6 aluminum with nylon bushings and a stainless steel hinge pin.

Window Type	Butt Hinge	4-Bar Arms	Casement Arms	Friction Adjustable	Roto Operator	Cam Lock	Pole Ring Cam Lock	Access Control Lock	Multi Point Lock	Pole Ring Lift Lock	Pull Handle	Key Release Limit Arm	Fixed Limit Stop	Under Screen Push Bar
PO - Awning	-	X	-	-	O ²	X	O ³	O	O ²	O ²	X	O	O	-
PI - Hopper	-	X	-	-	-	X	O	O	O	O	-	O	O	-
Casement - Outswing w/ Butt Hinges	X	-	O	X	O ²	O	O ³	O	X	O	X	O	O	-
Casement - Inswing w/ Butt Hinges	X	-	-	X	-	O	O	O	X	O	-	O	O	-
Casement - Outswing w/ concealed Hinges	-	-	X	-	O ^{2,4}	O	O ³	O	X	O	X	O	O	-
Casement - Inswing w/ concealed Hinges	-	-	-	-	-	-	-	-	-	-	-	-	-	-

X = Standard Hardware

O = Optional Hardware

Note:

- ¹ Not all hardware is compatible with each other, contact your local Winco representative for information
- ² Size limitations exist on some hardware, contact your local Winco representative for information
- ³ A pole ring pull will be provided on a project out vent is optional pole ring cam locks are required and no screen is furnished
- ⁴ Minimum width requirement for optional roto operators on casement windows with concealed casement arm hinging
- ⁵ Under screen push bars are not recommended by Winco if optimum water performance is a requirement

© WINCO WINDOW COMPANY, INC. 2020

SCREENS

FRAME - frames are fabricated from 6063-T6 extruded aluminum alloy and temper. All screen frames are miter cut and corner keyed. The corners are mechanically crimped together for durability. The screen frame is finished to match the window frame.

MESH - Standard 0.011" aluminum screen wire mesh is produced from 5154 alloy with 18x16 pattern in Charcoal or Aluminum color. All mesh is applied to the screen frame with a roller spline making for easy and quick replacements. Optional fiberglass or 0.009" stainless steel mesh is available as an option.

WINCO RESERVES THE RIGHT TO MODIFY OR CHANGE INFORMATION WITHIN
THIS BOOK WHEN DEEMED NECESSARY FOR PRODUCT IMPROVEMENT

© WINCO WINDOW COMPANY, INC. 2020

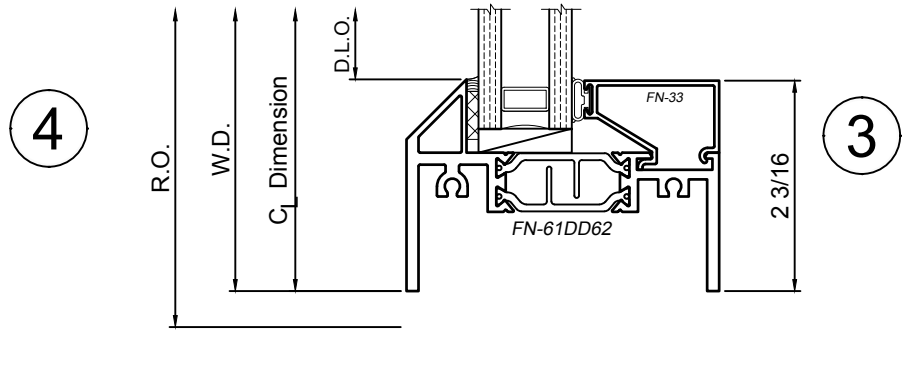
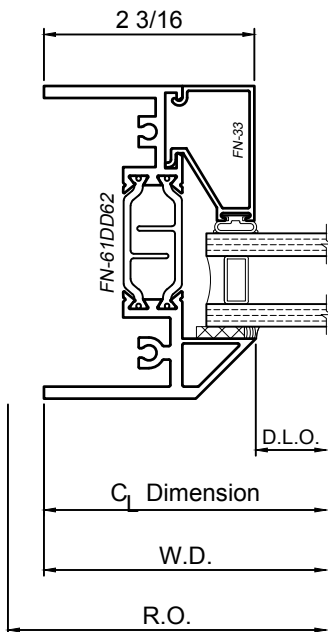
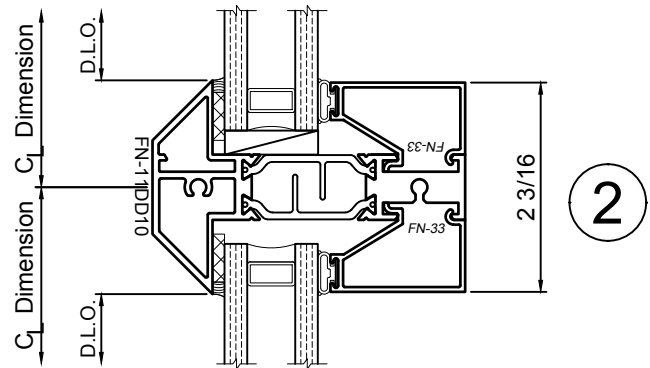
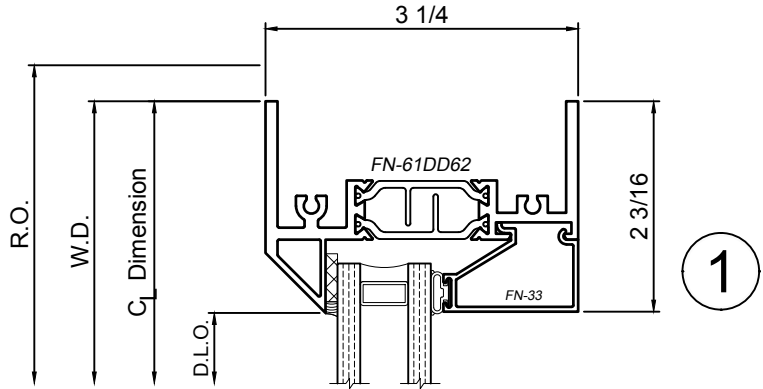
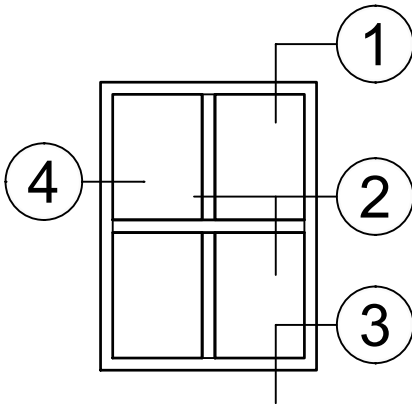
8325 Series 3-1/4" Thermal Fixed, Casement & Projected Windows

Product Details - Fixed - Picture Window



Note: Multiple configurations of this window system are available. Refer to the WINCO website for additional options or contact your local WINCO Sales Representative for information.

WINCO RESERVES THE RIGHT TO MODIFY OR CHANGE INFORMATION WITHIN THIS BOOK WHEN DEEMED NECESSARY FOR PRODUCT IMPROVEMENT



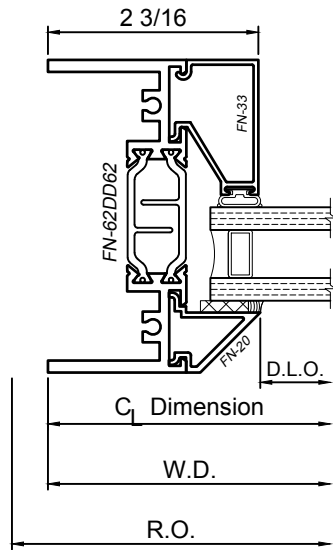
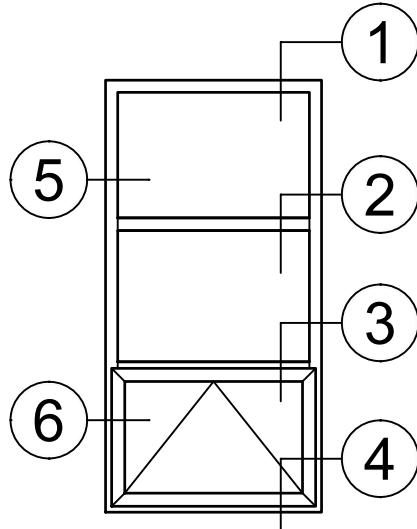
SCALE 6"=1'-0"

8325 Series 3-1/4" Thermal Fixed, Casement & Projected Windows

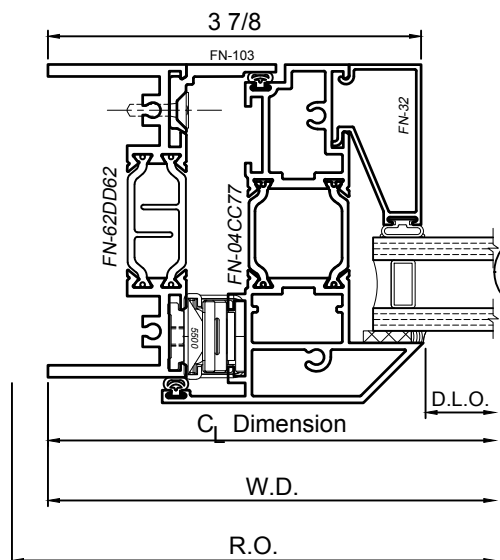
Product Details - Project Out - Awning



Note: Multiple configurations of this window system are available. Refer to the WINCO website for additional options or contact your local WINCO Sales Representative for information.

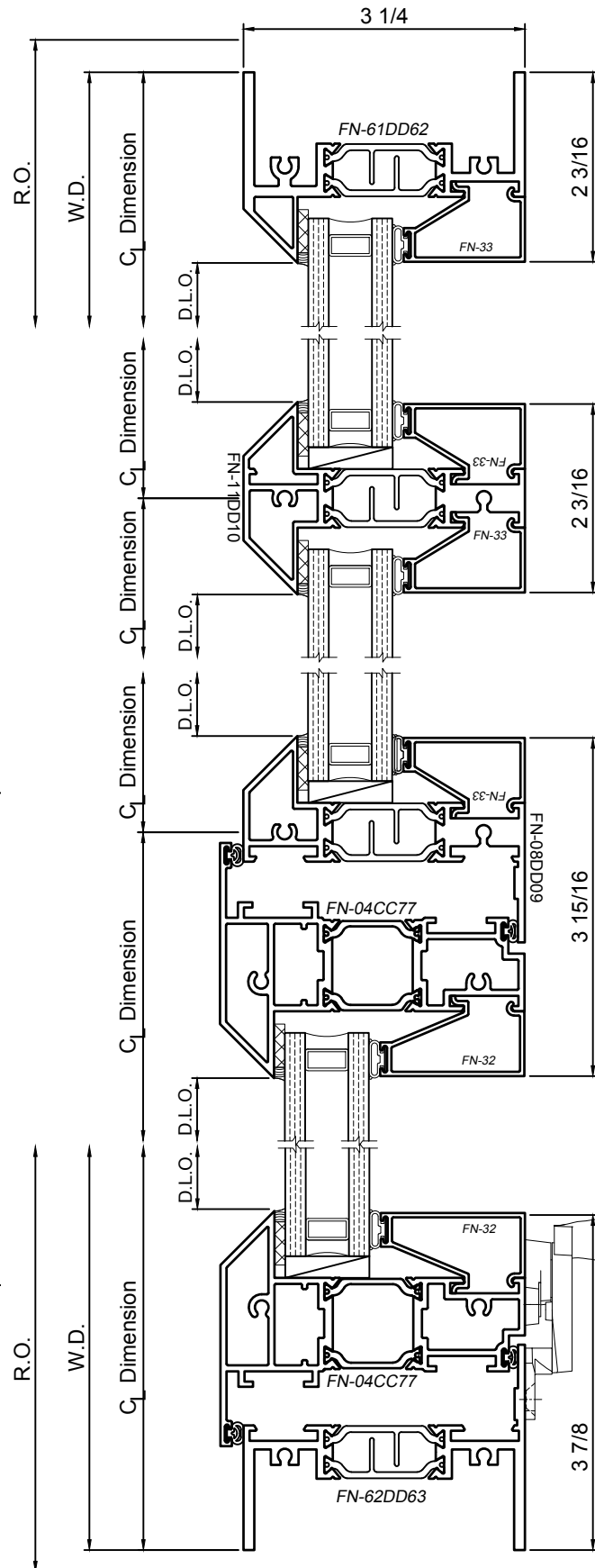


5



6

SCALE 6"=1'-0"



1

2

3

4

WINCO RESERVES THE RIGHT TO MODIFY OR CHANGE INFORMATION WITHIN THIS BOOK WHEN DEEMED NECESSARY FOR PRODUCT IMPROVEMENT

© WINCO WINDOW COMPANY, INC. 2020

8325 Series 3-1/4" Thermal Fixed, Casement & Projected Windows

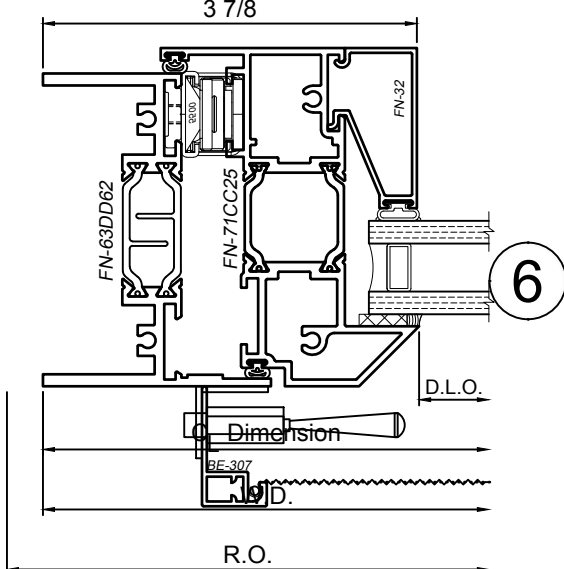
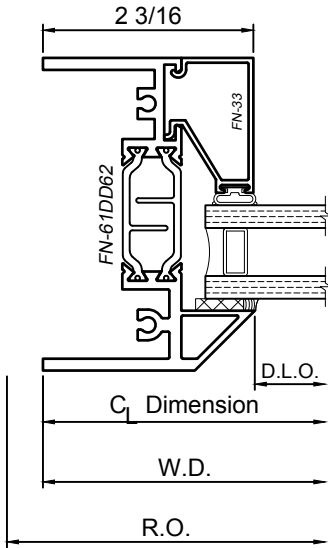
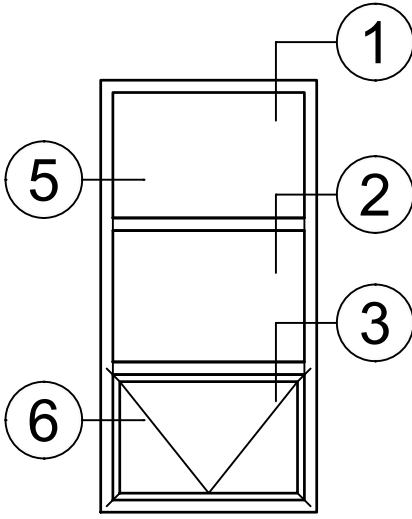
Product Details - Project In - Hopper



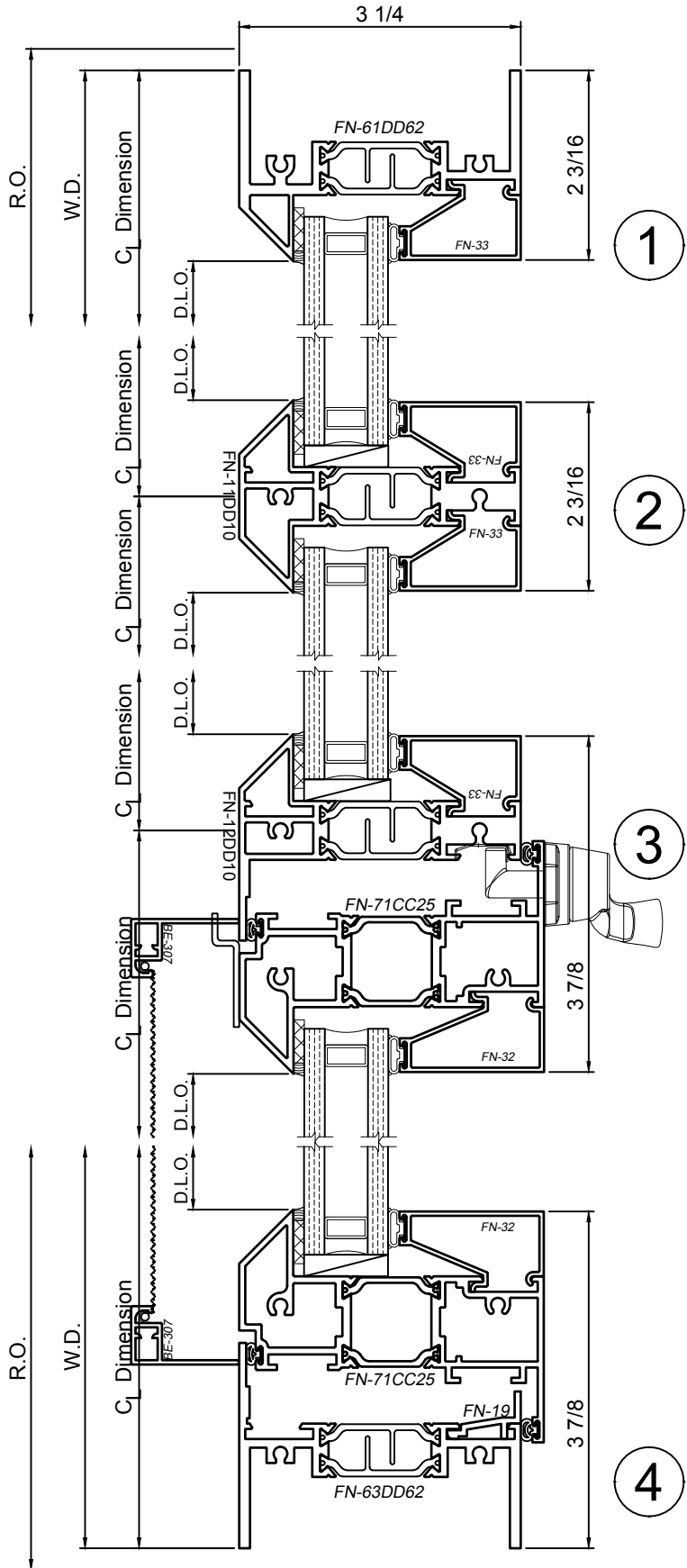
Note: Multiple configurations of this window system are available. Refer to the WINCO website for additional options or contact your local WINCO Sales Representative for information.

WINCO RESERVES THE RIGHT TO MODIFY OR CHANGE INFORMATION WITHIN THIS BOOK WHEN DEEMED NECESSARY FOR PRODUCT IMPROVEMENT

© WINCO WINDOW COMPANY, INC. 2020



SCALE 6"=1'-0"

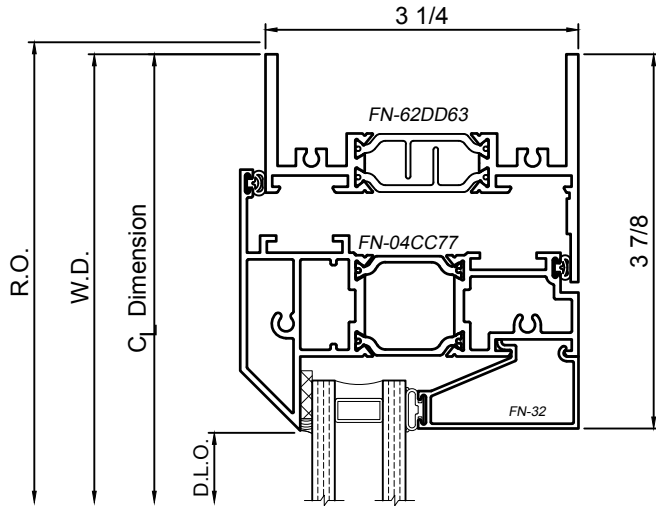
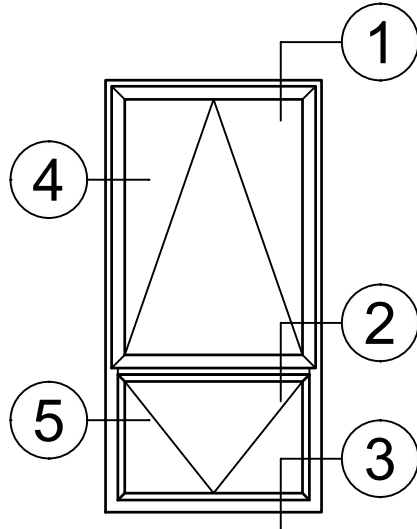


8325 Series 3-1/4" Thermal Fixed, Casement & Projected Windows

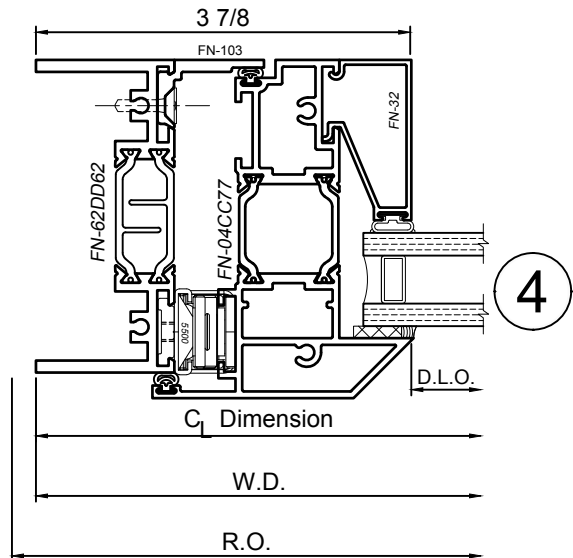
Product Details - PO|PI - Awning|Hopper



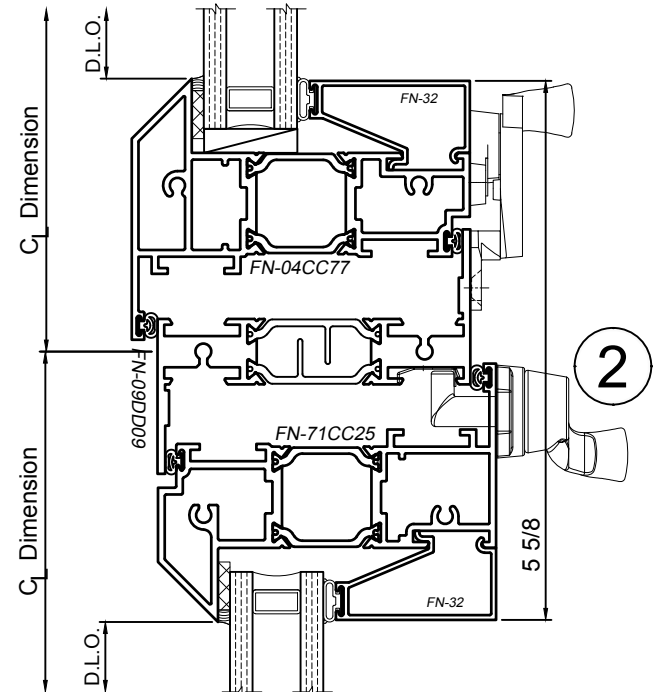
Note: Multiple configurations of this window system are available. Refer to the WINCO website for additional options or contact your local WINCO Sales Representative for information.



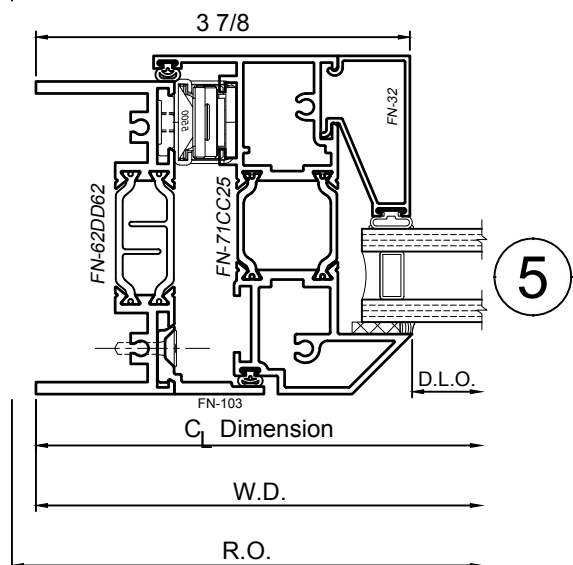
1



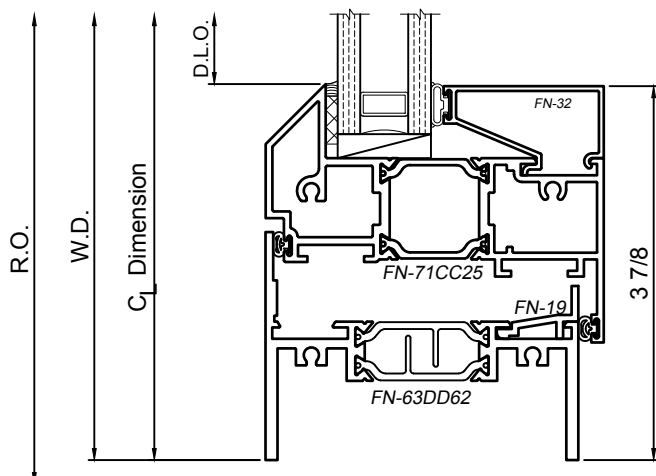
4



2



5



3

SCALE 6"=1'-0"

WINCO RESERVES THE RIGHT TO MODIFY OR CHANGE INFORMATION WITHIN THIS BOOK WHEN DEEMED NECESSARY FOR PRODUCT IMPROVEMENT

© WINCO WINDOW COMPANY, INC. 2020

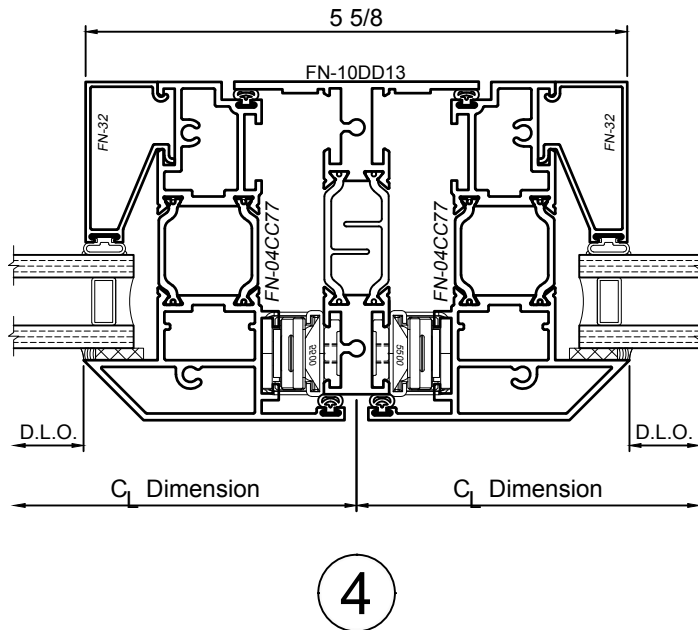
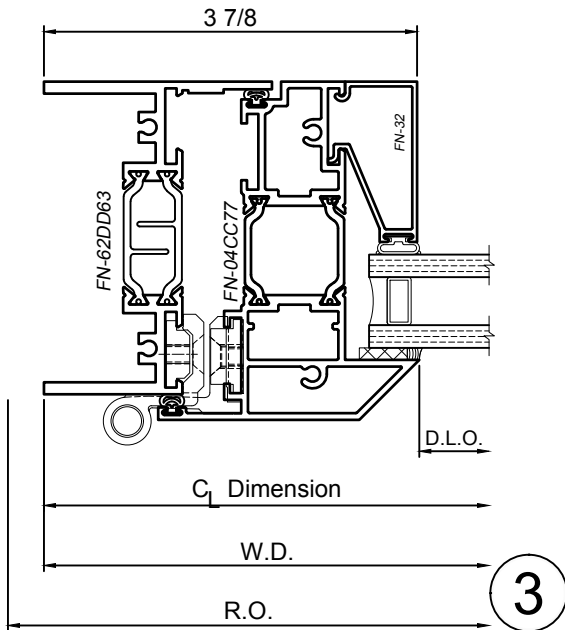
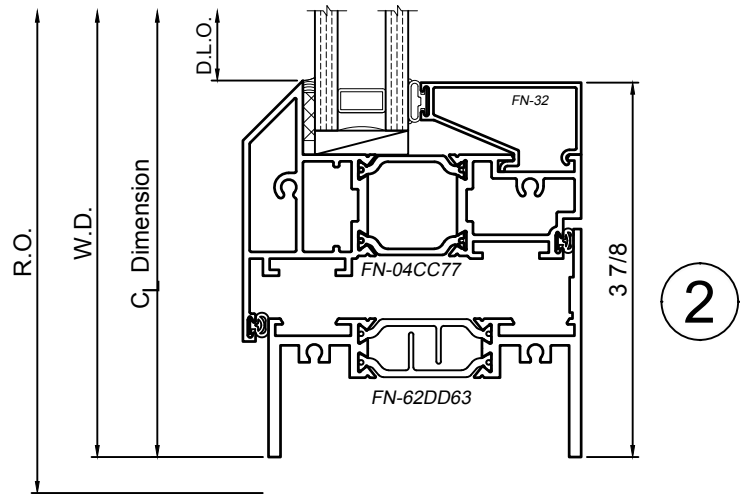
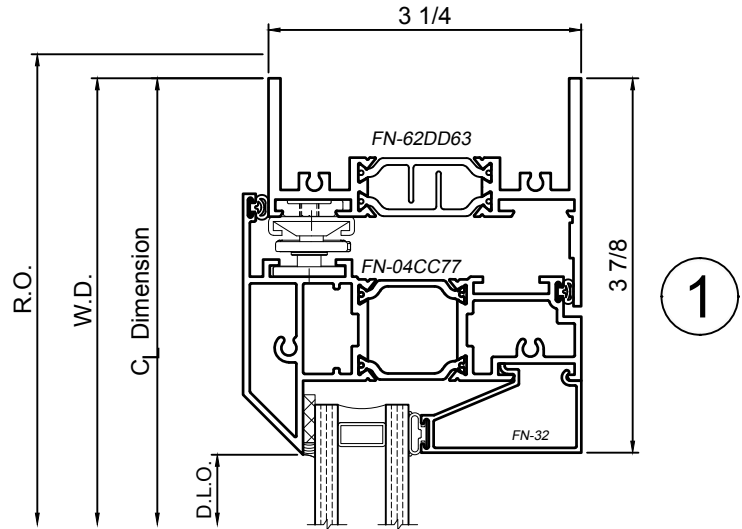
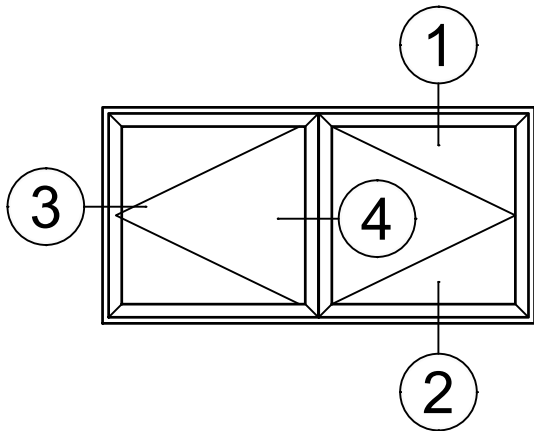
8325 Series 3-1/4" Thermal Fixed, Casement & Projected Windows

Product Details - Butterfly Casement - Outswing



Note: Multiple configurations of this window system are available. Refer to the WINCO website for additional options or contact your local WINCO Sales Representative for information.

WINCO RESERVES THE RIGHT TO MODIFY OR CHANGE INFORMATION WITHIN THIS BOOK WHEN DEEMED NECESSARY FOR PRODUCT IMPROVEMENT



© WINCO WINDOW COMPANY, INC. 2020

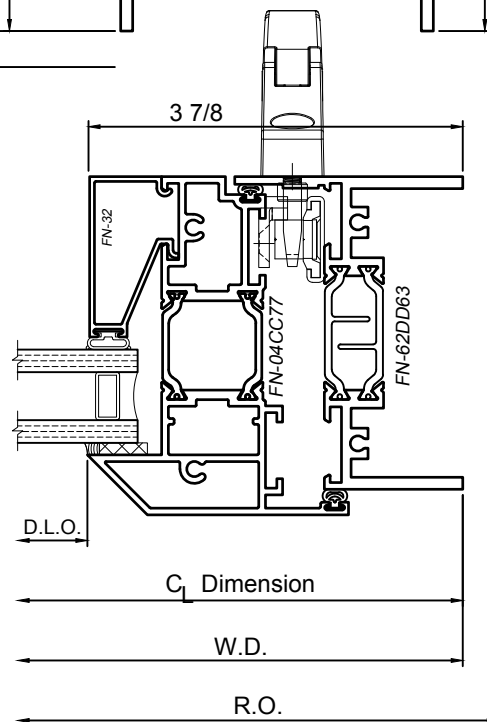
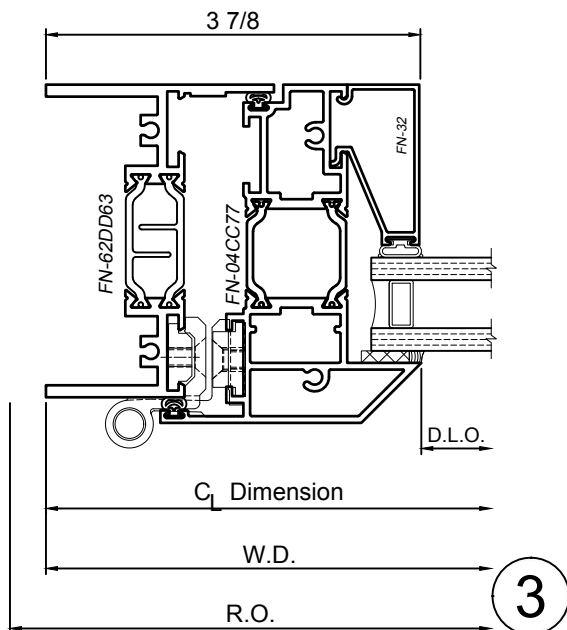
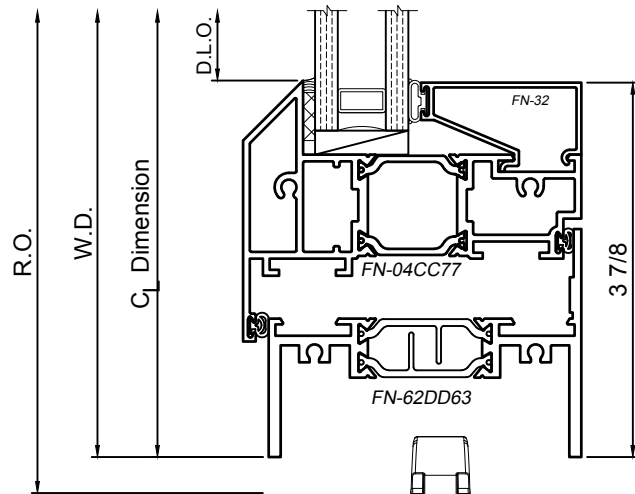
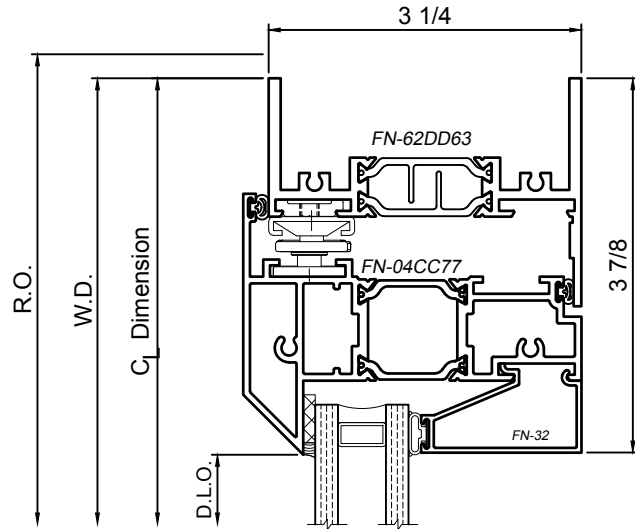
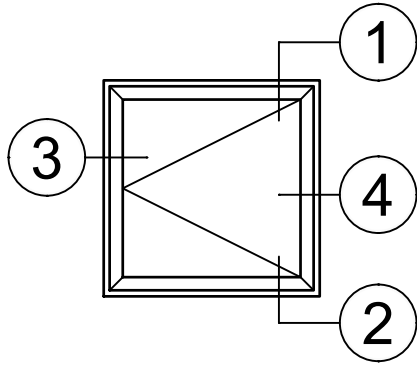
SCALE 6"=1'-0"

8325 Series 3-1/4" Thermal Fixed, Casement & Projected Windows

Product Details - Outswing Casement



Note: Multiple configurations of this window system are available. Refer to the WINCO website for additional options or contact your local WINCO Sales Representative for information.



SCALE 6"=1'-0"

WINCO RESERVES THE RIGHT TO MODIFY OR CHANGE INFORMATION WITHIN THIS BOOK WHEN DEEMED NECESSARY FOR PRODUCT IMPROVEMENT

© WINCO WINDOW COMPANY, INC. 2020

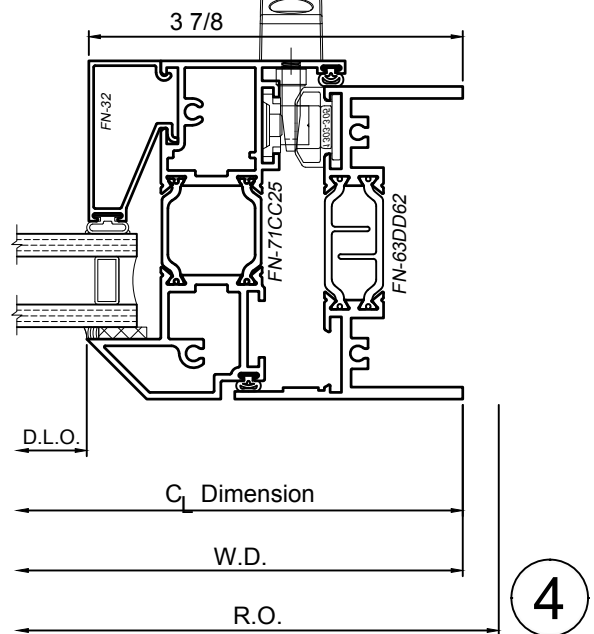
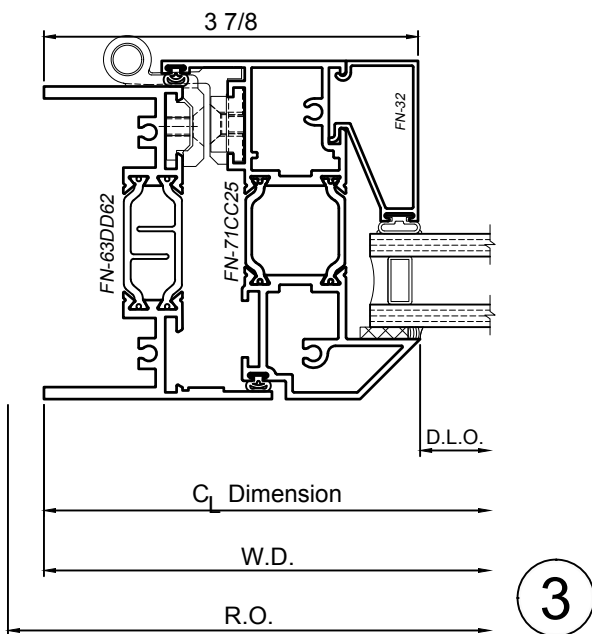
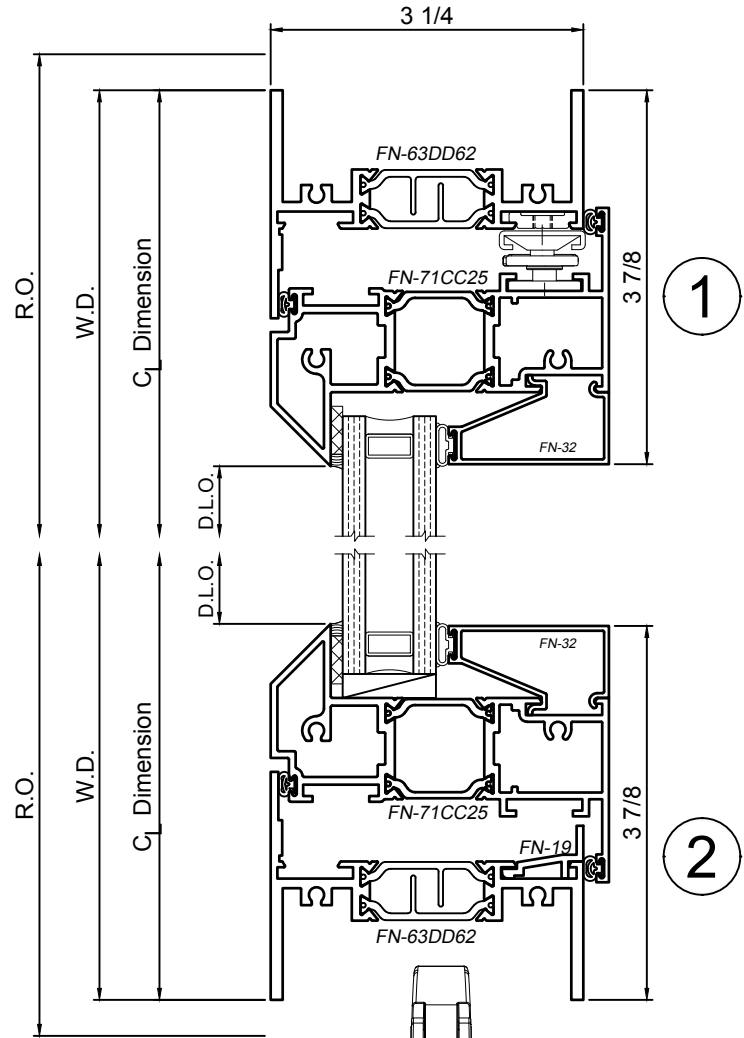
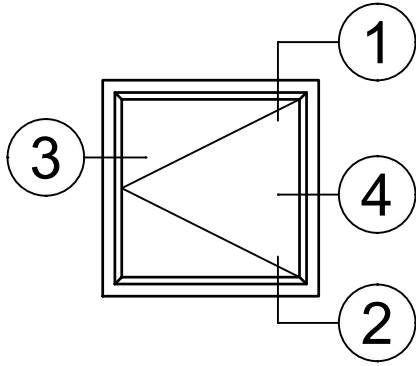
8325 Series 3-1/4" Thermal Fixed, Casement & Projected Windows

Product Details - Inswing Casement



Note: Multiple configurations of this window system are available. Refer to the WINCO website for additional options or contact your local WINCO Sales Representative for information.

WINCO RESERVES THE RIGHT TO MODIFY OR CHANGE INFORMATION WITHIN THIS BOOK WHEN DEEMED NECESSARY FOR PRODUCT IMPROVEMENT



SCALE 6"=1'-0"

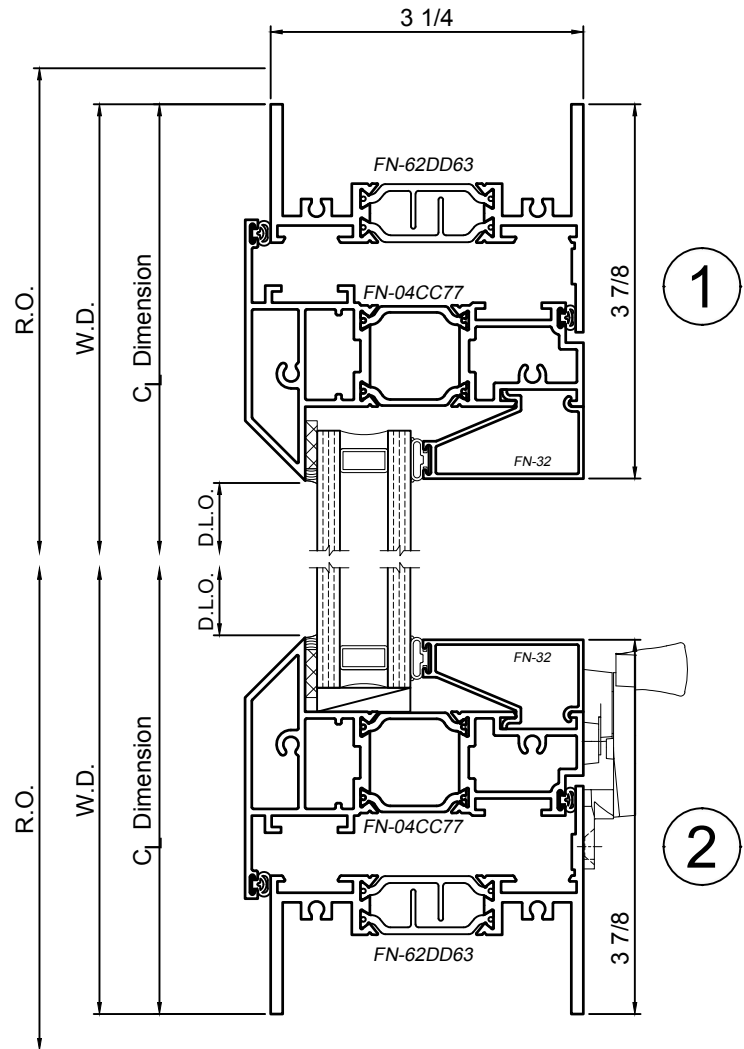
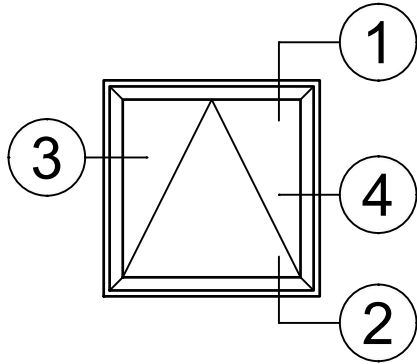
© WINCO WINDOW COMPANY, INC. 2020

8325 Series 3-1/4" Thermal Fixed, Casement & Projected Windows

Product Details - Project Out - Awning

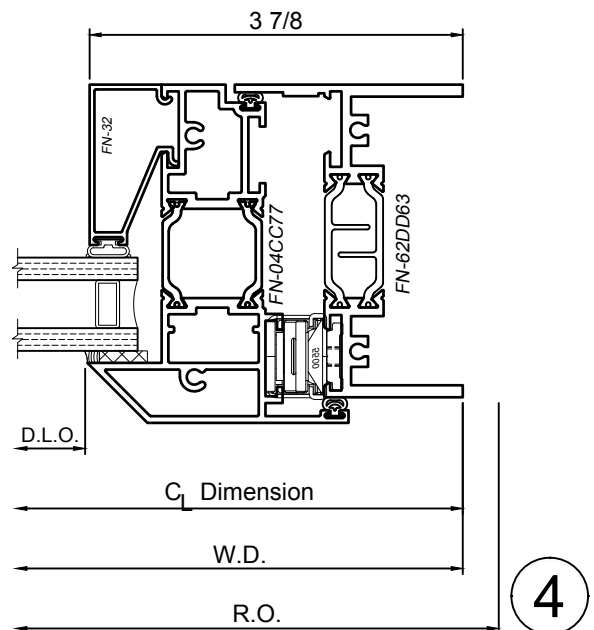
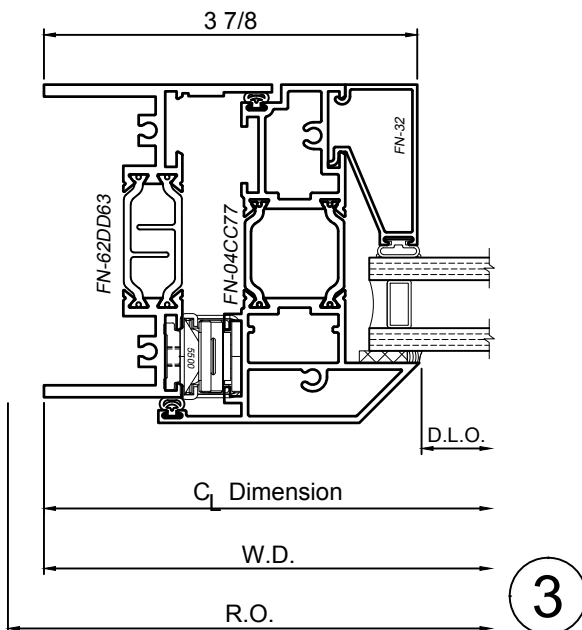


Note: Multiple configurations of this window system are available. Refer to the WINCO website for additional options or contact your local WINCO Sales Representative for information.



WINCO RESERVES THE RIGHT TO MODIFY OR CHANGE INFORMATION WITHIN THIS BOOK WHEN DEEMED NECESSARY FOR PRODUCT IMPROVEMENT

© WINCO WINDOW COMPANY, INC. 2020



SCALE 6"=1'-0"

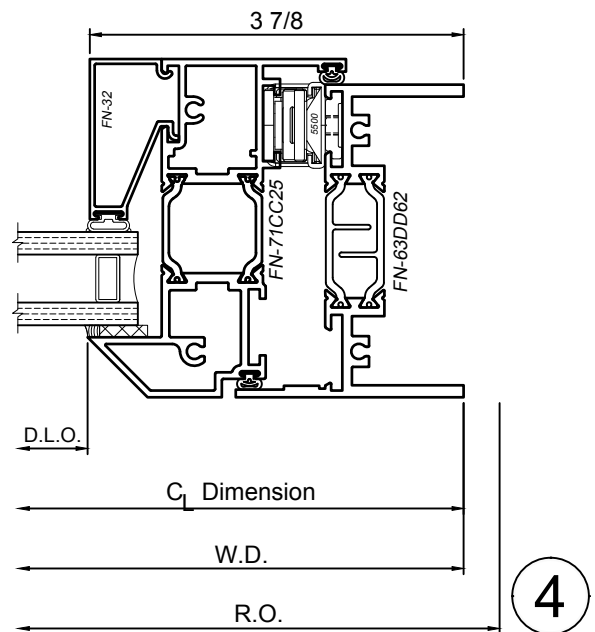
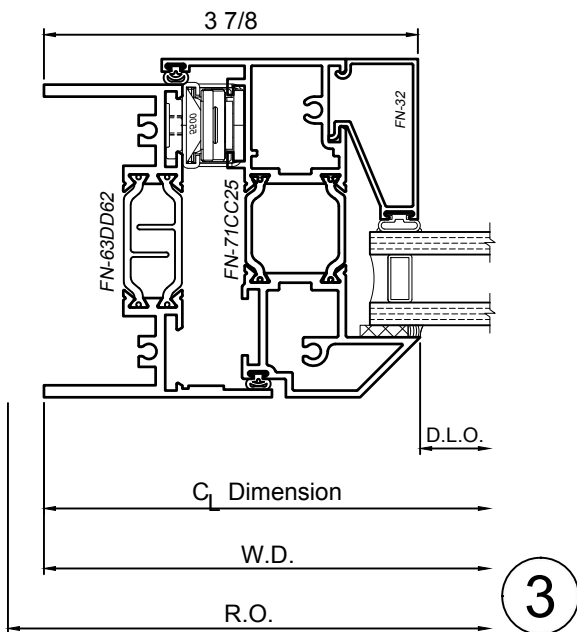
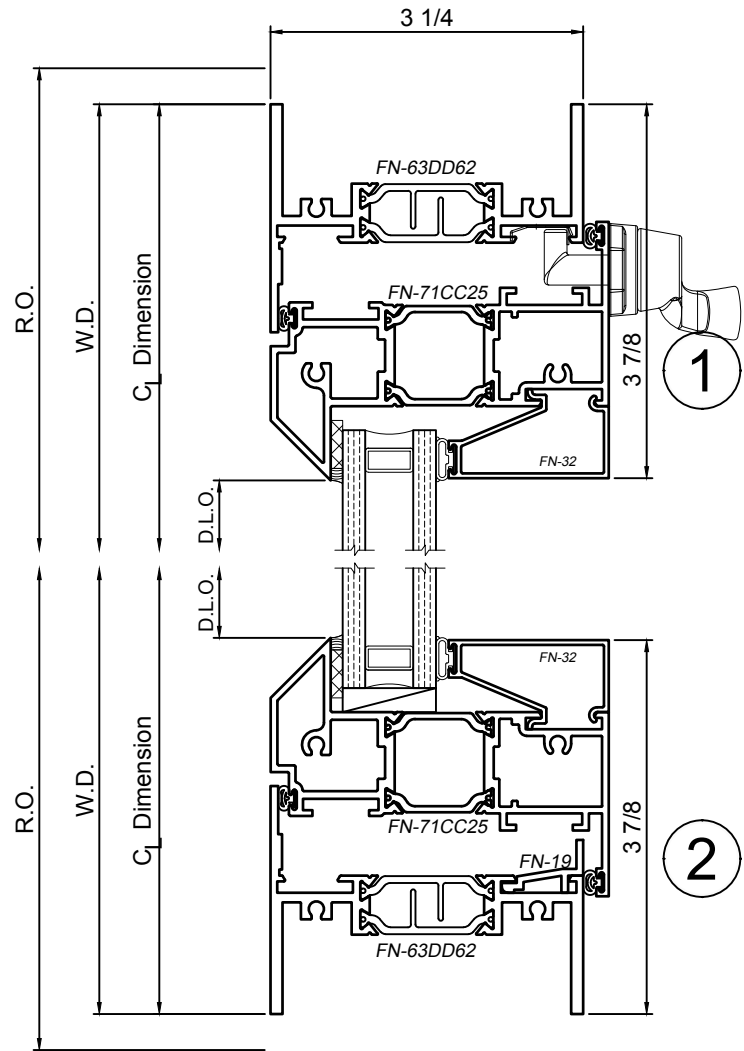
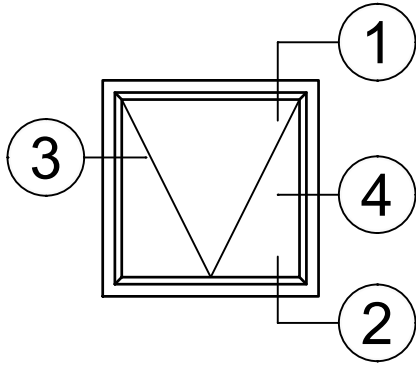
8325 Series 3-1/4" Thermal Fixed, Casement & Projected Windows

Product Details - Project In - Hopper



Note: Multiple configurations of this window system are available. Refer to the WINCO website for additional options or contact your local WINCO Sales Representative for information.

WINCO RESERVES THE RIGHT TO MODIFY OR CHANGE INFORMATION WITHIN THIS BOOK WHEN DEEMED NECESSARY FOR PRODUCT IMPROVEMENT



SCALE 6"=1'-0"

© WINCO WINDOW COMPANY, INC. 2020

This page is purposely left blank

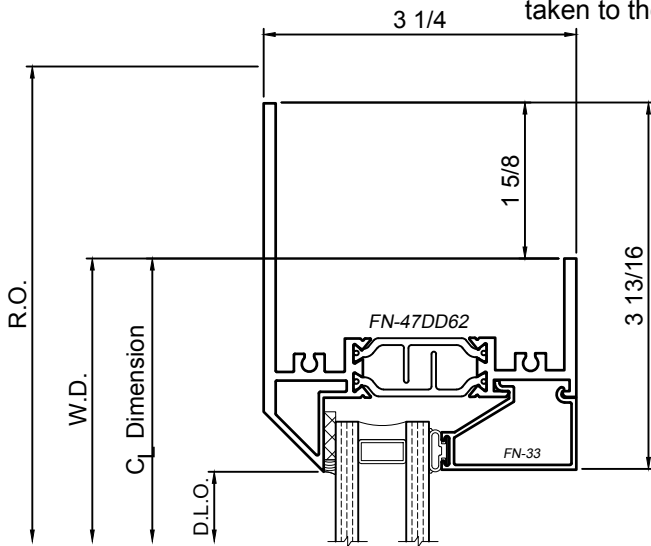
8325 Series 3-1/4" Thermal Fixed, Casement & Projected Windows

Product Details - Un-Equal Leg Frame Options

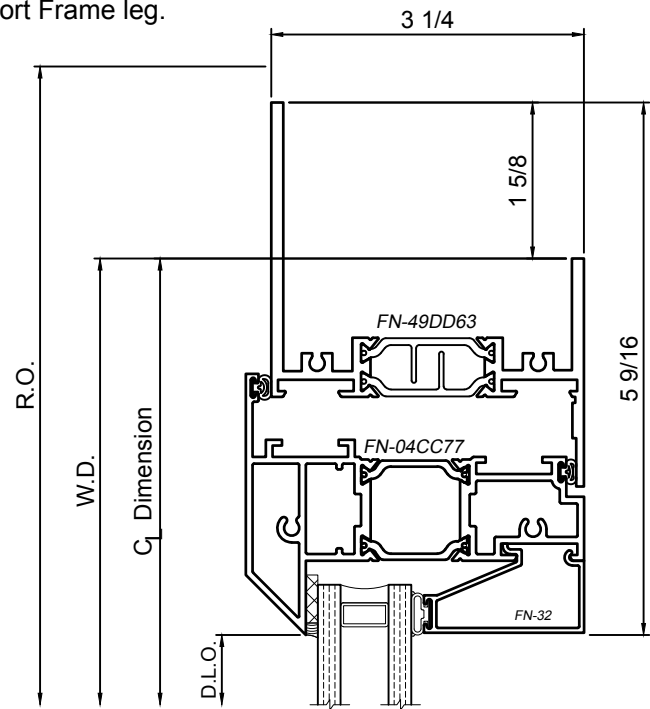


WINCO RESERVES THE RIGHT TO MODIFY OR CHANGE INFORMATION WITHIN THIS BOOK WHEN DEEMED NECESSARY FOR PRODUCT IMPROVEMENT

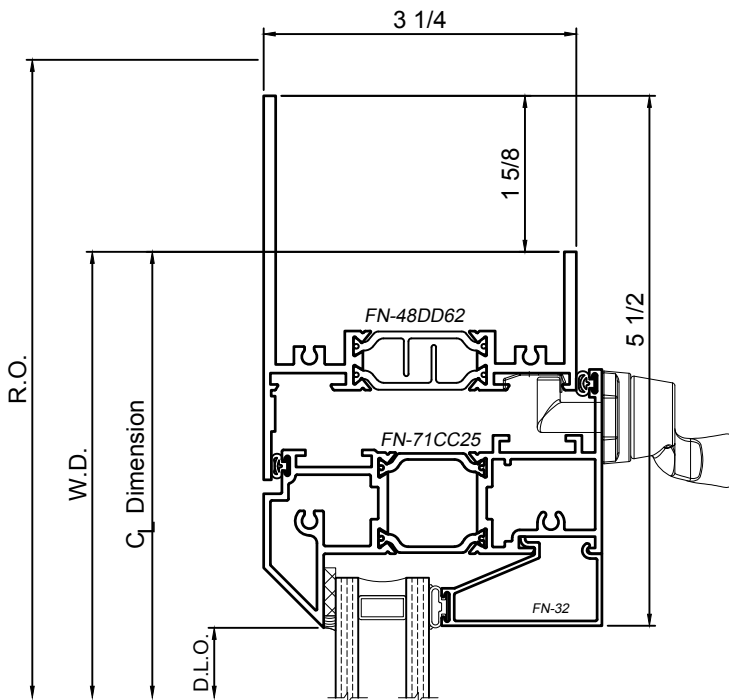
Note:
The Nominal Frame and Centerline Dimensions are taken to the Short Frame leg.



Available at head, jamb and sill



Available at head, jamb and sill



Available at head, jamb and sill

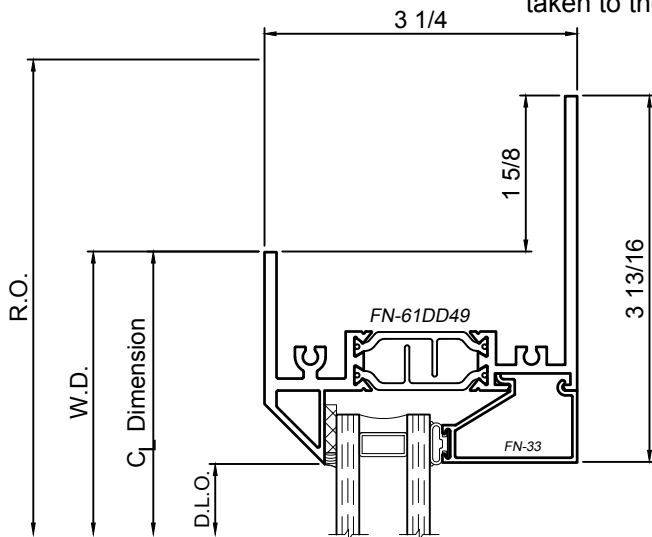
SCALE 6"=1'-0"

© WINCO WINDOW COMPANY, INC. 2020

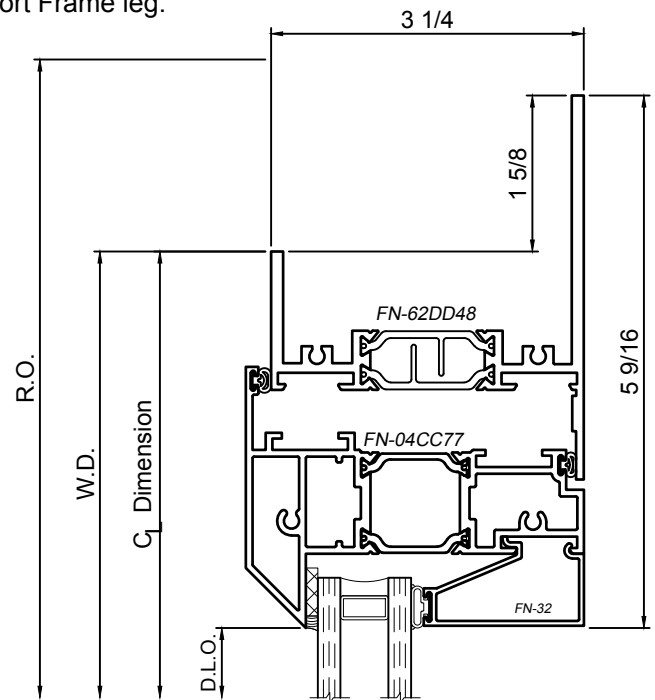
8325 Series 3-1/4" Thermal Fixed, Casement & Projected Windows Product Details - Un-Equal Leg Frame Options



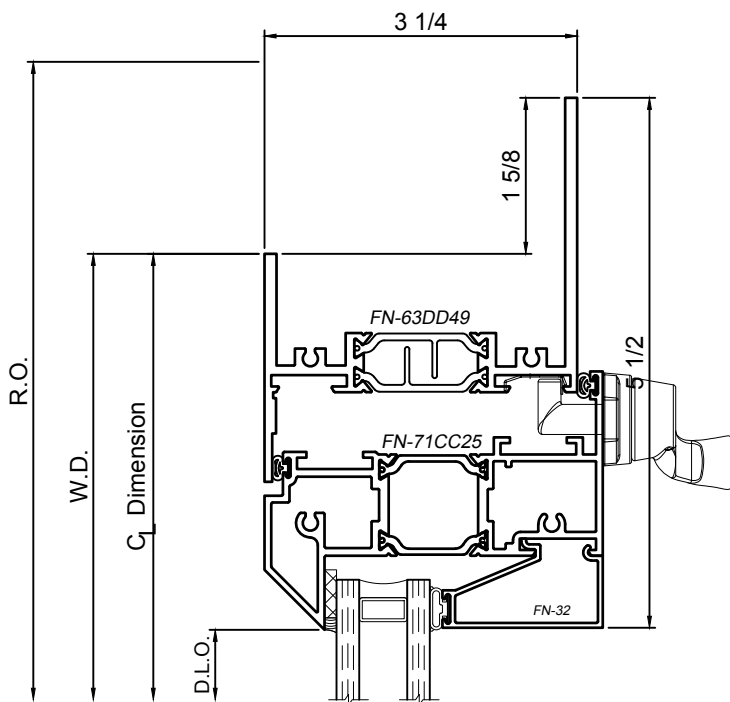
Note:
The Nominal Frame and
Centerline Dimensions are
taken to the Short Frame leg.



Available at head, jamb and sill



Available at head, jamb and sill



Available at head, jamb and sill

WINCO RESERVES THE RIGHT TO MODIFY OR CHANGE INFORMATION WITHIN
THIS BOOK WHEN DEEMED NECESSARY FOR PRODUCT IMPROVEMENT

© WINCO WINDOW COMPANY, INC. 2020

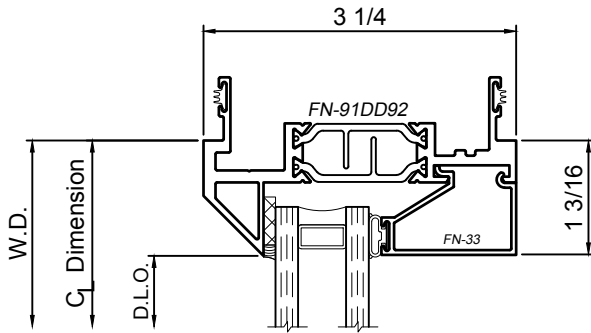
SCALE 6"=1'-0"

8325 Series 3-1/4" Thermal Fixed, Casement & Projected Windows

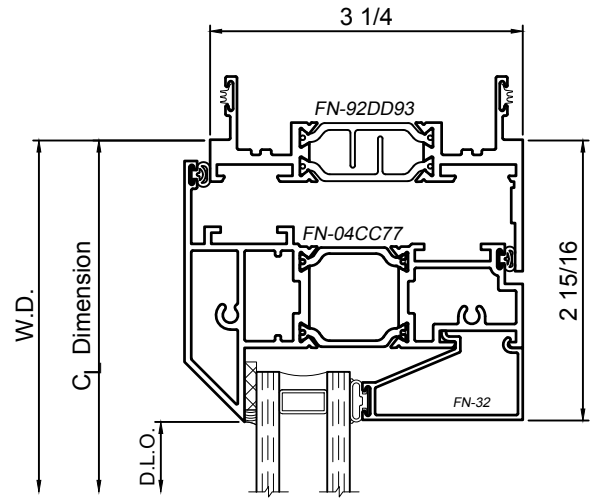
Product Details - Self Stacking Frame Options



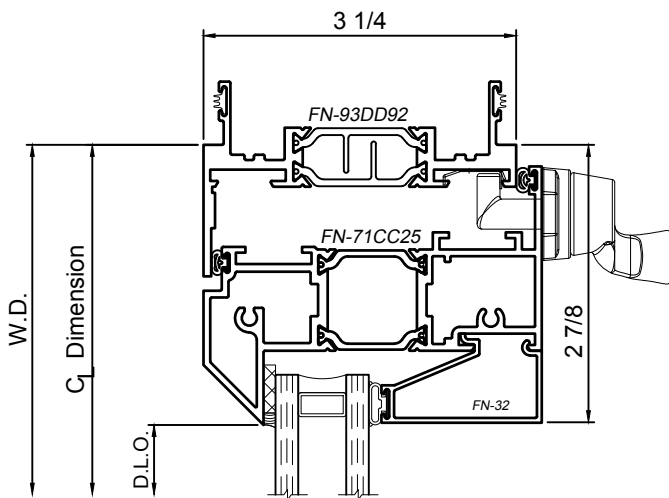
WINCO RESERVES THE RIGHT TO MODIFY OR CHANGE INFORMATION WITHIN THIS BOOK WHEN DEEMED NECESSARY FOR PRODUCT IMPROVEMENT



Available at head and jamb



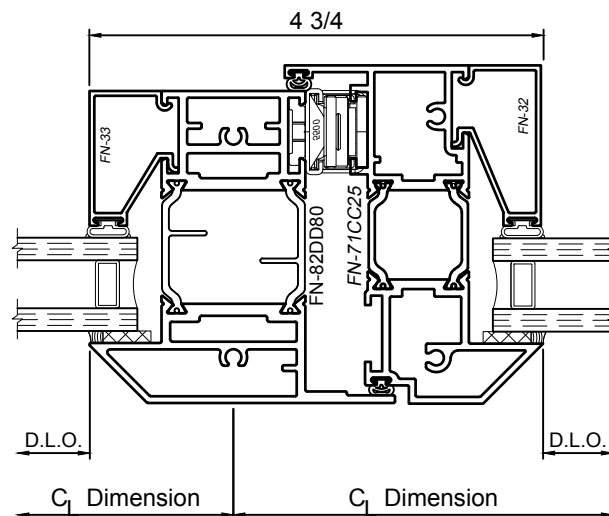
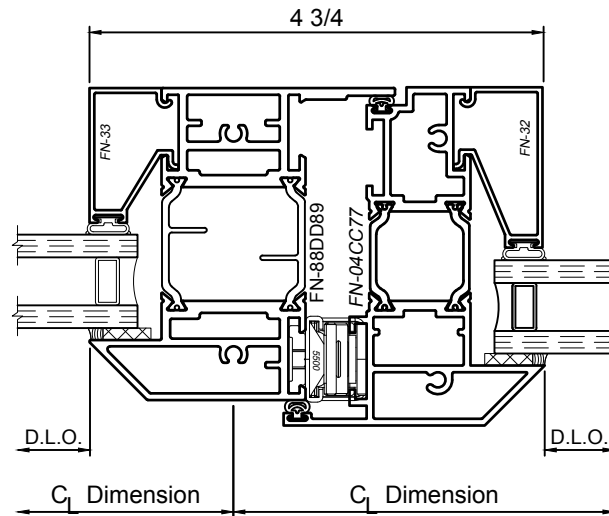
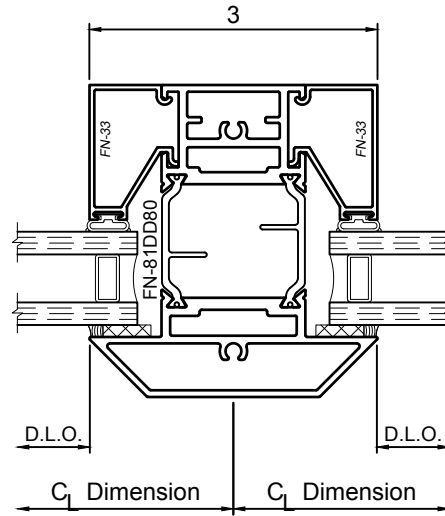
Available at head and jamb



Available at head and jamb

SCALE 6"=1'-0"

8325 Series 3-1/4" Thermal Fixed, Casement & Projected Windows Product Details - Heavy Rail Options



WINCO RESERVES THE RIGHT TO MODIFY OR CHANGE INFORMATION WITHIN THIS BOOK WHEN DEEMED NECESSARY FOR PRODUCT IMPROVEMENT

© WINCO WINDOW COMPANY, INC. 2020

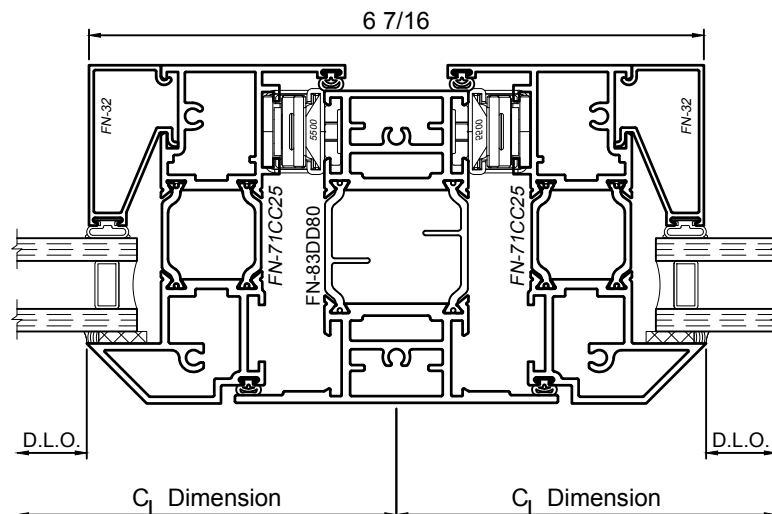
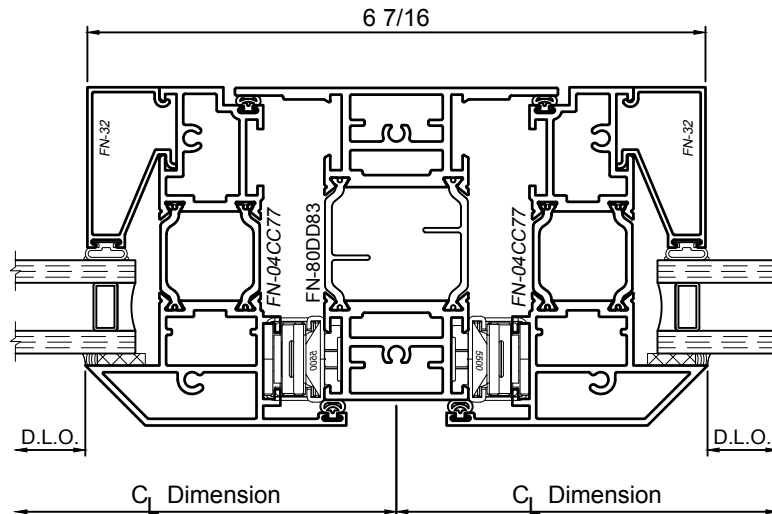
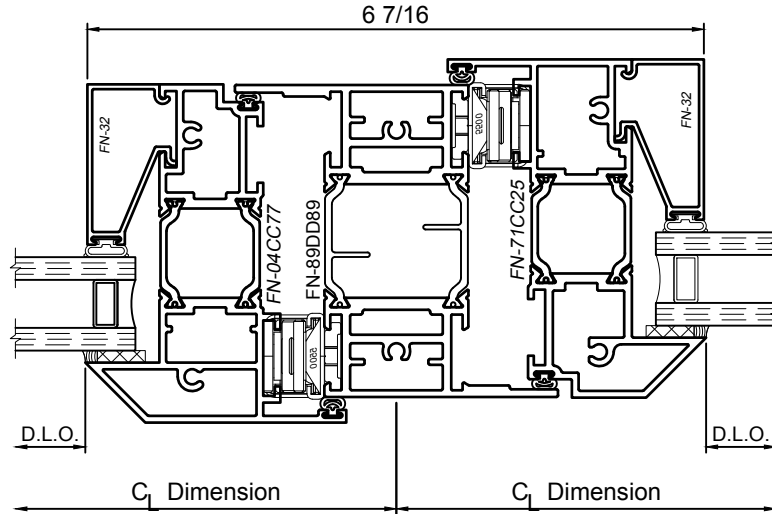
SCALE 6"=1'-0"

8325 Series 3-1/4" Thermal Fixed, Casement & Projected Windows

Product Details - Heavy Rail Options



WINCO RESERVES THE RIGHT TO MODIFY OR CHANGE INFORMATION WITHIN THIS BOOK WHEN DEEMED NECESSARY FOR PRODUCT IMPROVEMENT



SCALE 6"=1'-0"

This page is purposely left blank

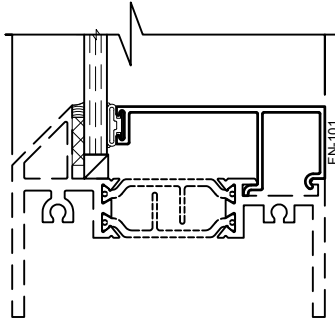
8325 Series 3-1/4" Thermal Fixed, Casement & Projected Windows

Product Details - Glazing Options



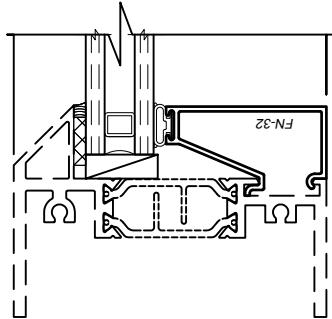
Note: Multiple configurations of this window system are available. Refer to the WINCO website for additional options or contact your local WINCO Sales Representative for information.

WINCO RESERVES THE RIGHT TO MODIFY OR CHANGE INFORMATION WITHIN THIS BOOK WHEN DEEMED NECESSARY FOR PRODUCT IMPROVEMENT



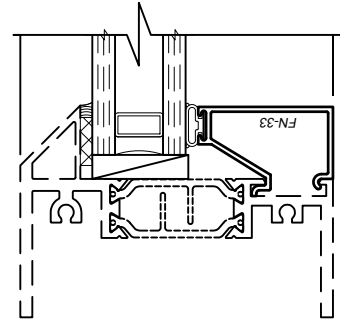
1/4" Glazing Bead
FN-101

- Only Available for Fixed Lights -

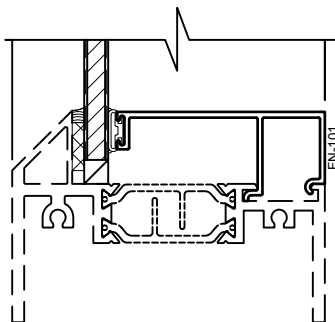


3/4" Glazing Bead
FN-32

- Only Available for Fixed Lights -

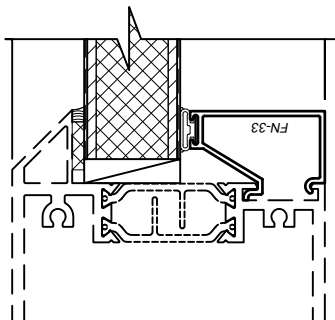


1" Glazing Bead
FN-33

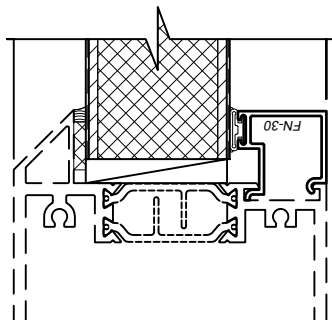


1/4" Glazing Bead
Panel
FN-101

- Only Available for Fixed Lights -

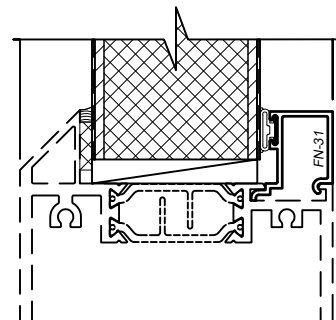


1" Glazing Bead
Panel
FN-33



1-1/2" Glazing Bead
Panel
FN-30

- Only Available for Fixed Lights -



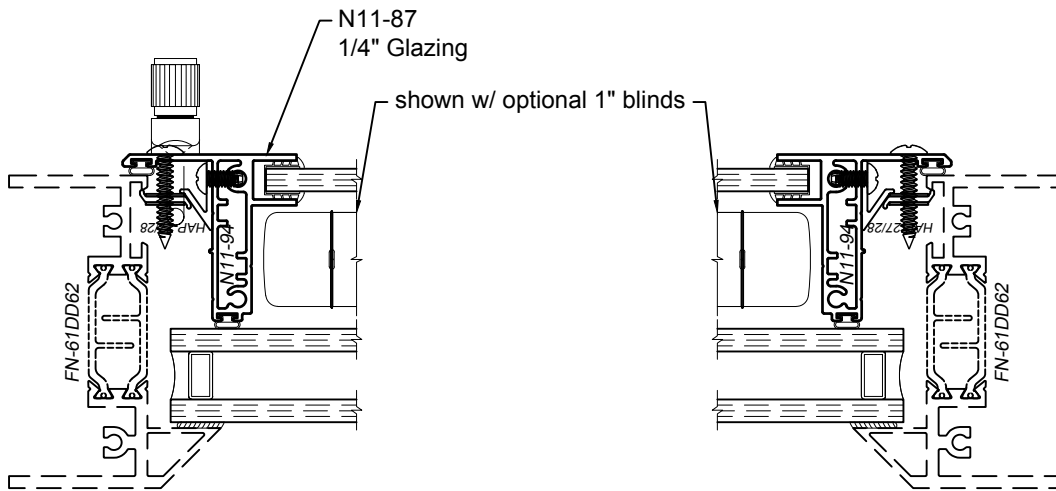
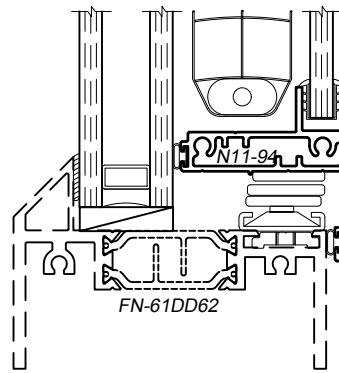
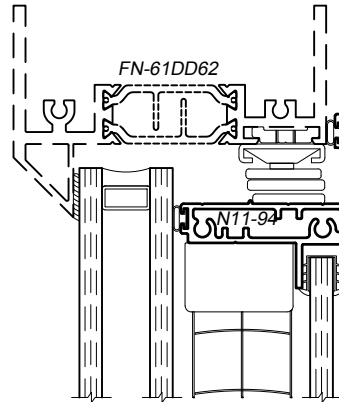
1-3/4" Glazing Bead
Panel
FN-31

- Only Available for Fixed Lights -

Note: glazing options shown are a sample of what is available. If desired glazing is not shown please contact your local Winco Sales Representative for additional information.

SCALE 6"=1'-0"

8325 Series 3-1/4" Thermal Fixed, Casement & Projected Windows Product Details - Tripple Glazed w/ Hinged Interior Sash



Triple Glazed w/ Hinged Sash - Hinged Blind Accessory Blind Sash Option

WINCO RESERVES THE RIGHT TO MODIFY OR CHANGE INFORMATION WITHIN THIS BOOK WHEN DEEMED NECESSARY FOR PRODUCT IMPROVEMENT

© WINCO WINDOW COMPANY, INC. 2020

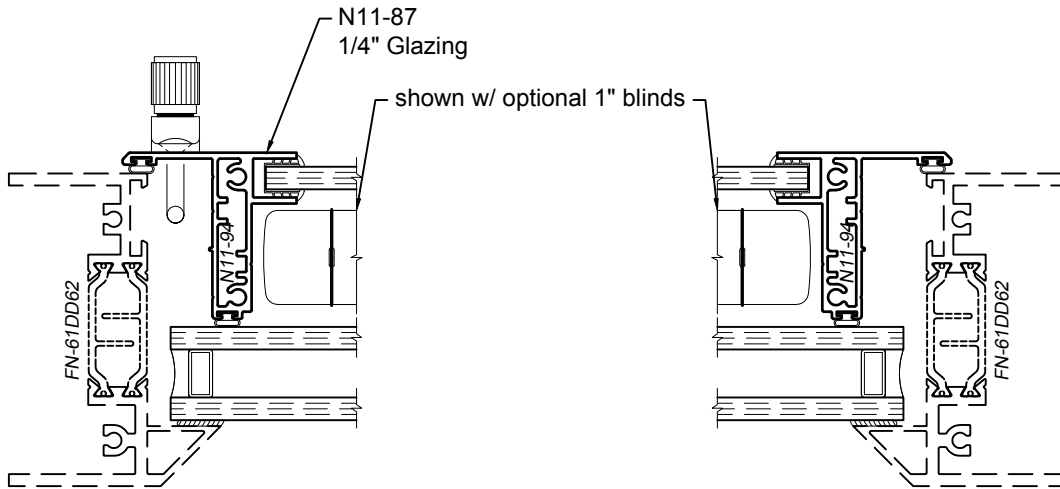
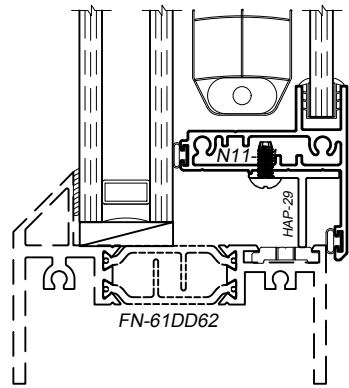
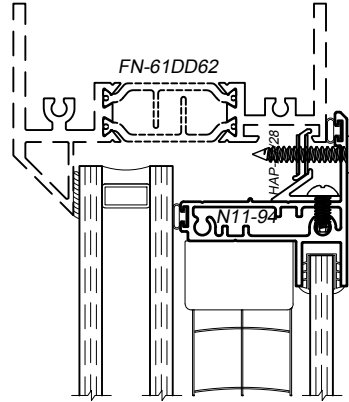
8325 Series 3-1/4" Thermal Fixed, Casement & Projected Windows

Product Details - Tripple Glazed w/ Lift Out Interior Sash



Note: Multiple configurations of this window system are available. Refer to the WINCO website for additional options or contact your local WINCO Sales Representative for information.

WINCO RESERVES THE RIGHT TO MODIFY OR CHANGE INFORMATION WITHIN THIS BOOK WHEN DEEMED NECESSARY FOR PRODUCT IMPROVEMENT

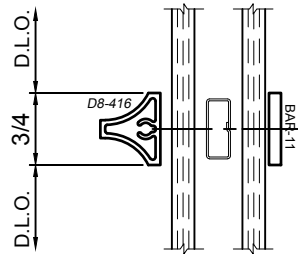
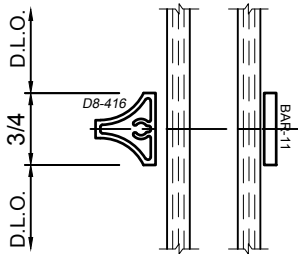
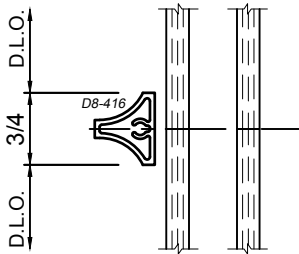
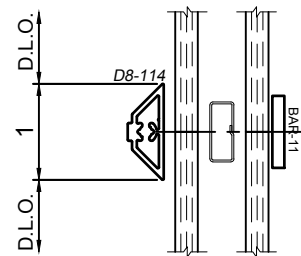
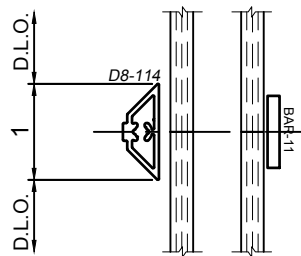
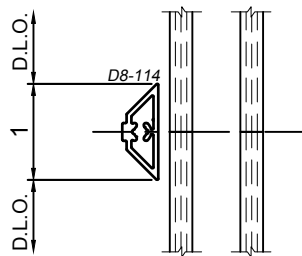
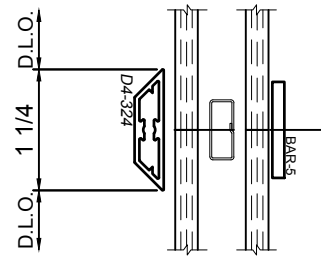
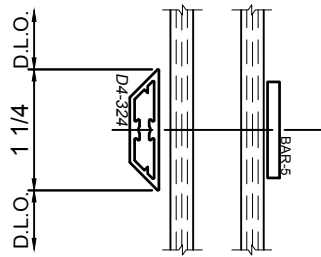
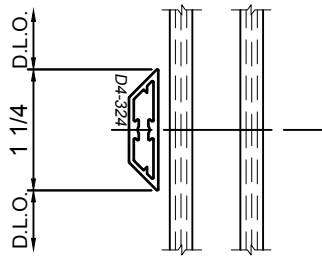
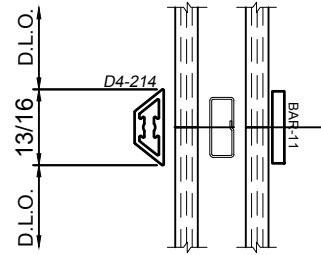
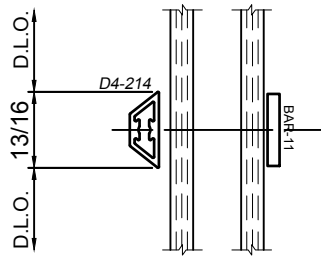
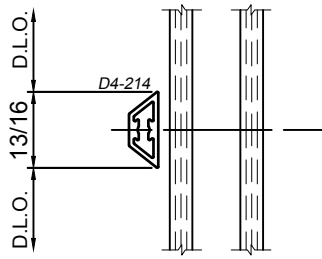


© WINCO WINDOW COMPANY, INC. 2020

SCALE 6"=1'-0" Triple Glazed w/ Hinged Sash - Hinged Blind Accessory Blind Sash Option

8325 Series 3-1/4" Thermal Fixed, Casement & Projected Windows

Product Details - Grid Options



WINCO RESERVES THE RIGHT TO MODIFY OR CHANGE INFORMATION WITHIN THIS BOOK WHEN DEEMED NECESSARY FOR PRODUCT IMPROVEMENT

© WINCO WINDOW COMPANY, INC. 2020

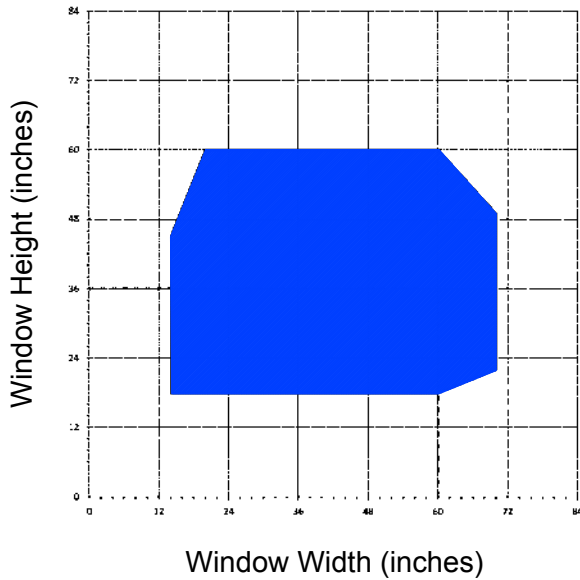
8325 Series 3-1/4" Thermal Fixed, Casement & Projected Windows

Projected Vent Size Capabilities Charts

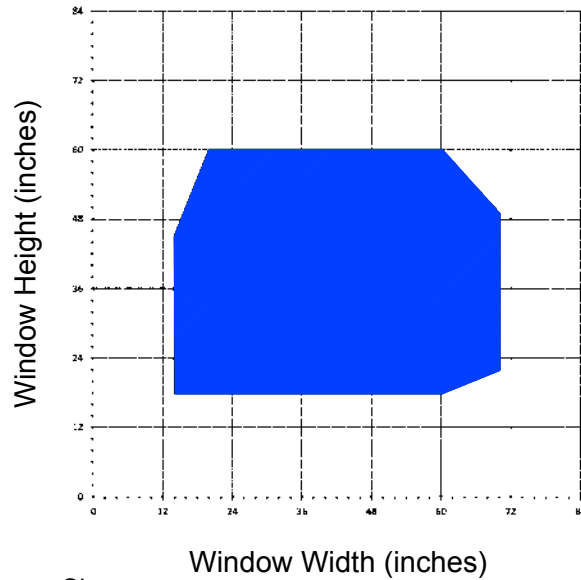


WINCO RESERVES THE RIGHT TO MODIFY OR CHANGE INFORMATION WITHIN THIS BOOK WHEN DEEMED NECESSARY FOR PRODUCT IMPROVEMENT

Projected In / Out with Four Bar Arms

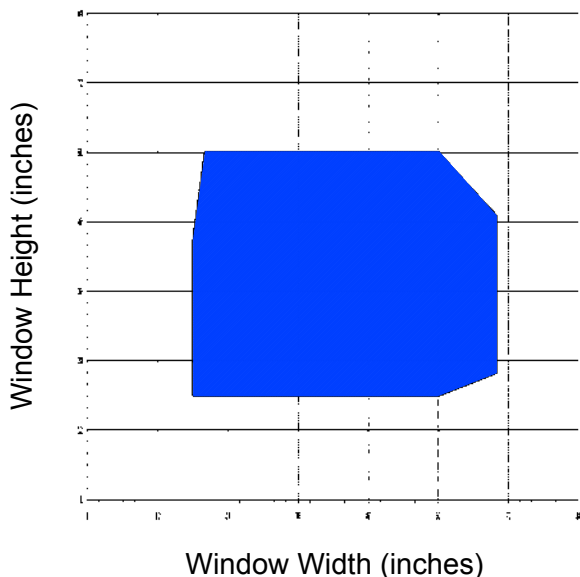


Casement with Concealed Four Bar Casement Arm & Multi Point Locks

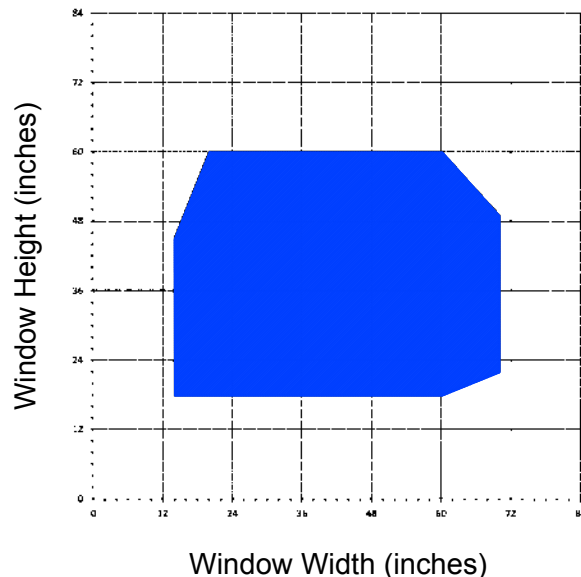


----- AAMA Gateway Size

Projected In / Out with Pivot Shoe Roto-Operator (Multi Point Lock)



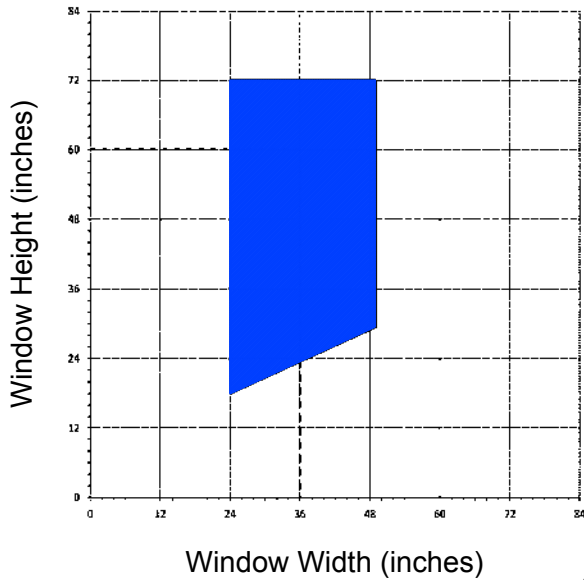
Projected In / Out with Pivot Shoe Roto-Operator (Cam Locks)



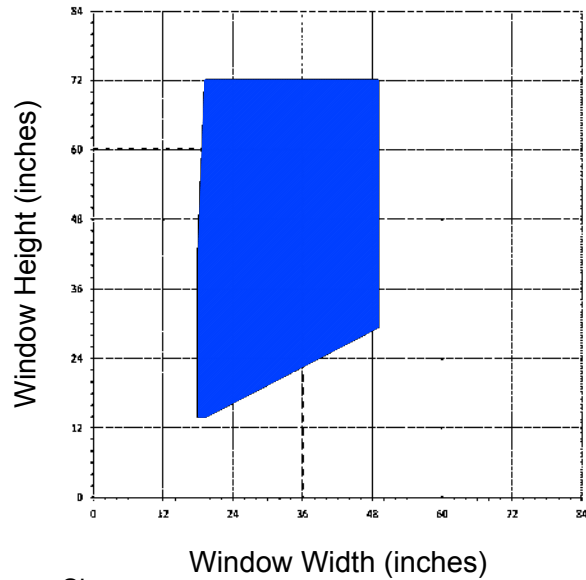
© WINCO WINDOW COMPANY, INC. 2020

- Dashed line represents the gateway size window as tested by AAMA.
- All vent sizes are based upon 1" Insulated glass consisting of 1/4" glass - 1/2" air - 1/4" glass.
- Any vent size outside of the AAMA Gateway tested size may have reduced performance.
- Chart assumes the window has been installed in a properly prepared opening by a qualified installer.
- Individual job criteria such as: other glazing materials, specified wind load, and specific operating hardware; may enhance or restrict the chart.
- Minimum vent size is 14" x 18" with standard cam locks and 4-bar hinges.
- The chart is a general guideline for projected vent sizing, anything on the edge or outside of the range will need to be reviewed by Winco Engineering.

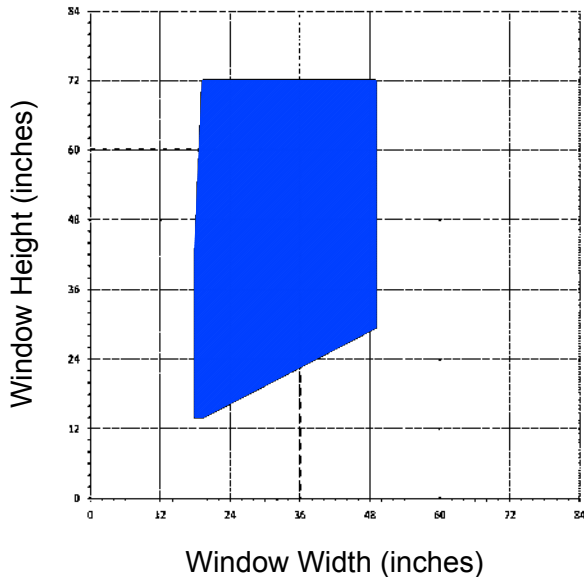
Casement with Roto-Operator
 w/ 5 Knuckle Butt Hinge &
 Multi Point Locks



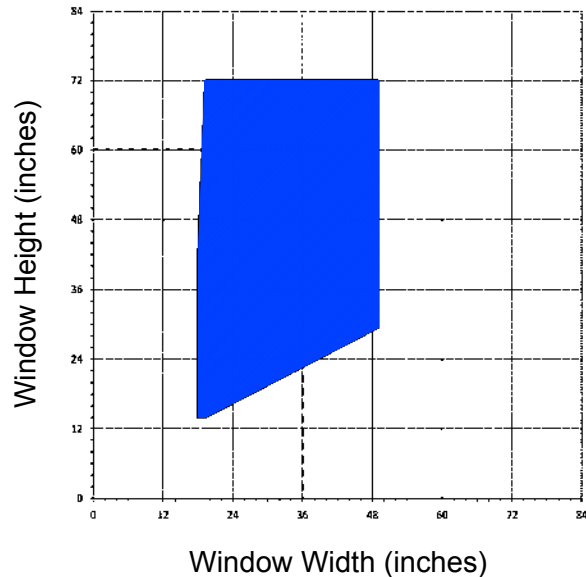
Casement with 5 Knuckle Butt
 Hinge & Cam Locks



Casement with Concealed
 Four Bar Casement Arm &
 Multi Point Locks



Casement with Concealed
 Four Bar Casement Arm &
 Cam Locks



----- AAMA Gateway Size

- Dashed line represents the gateway size window as tested by AAMA.
- All vent sizes are based upon 1" Insulated glass consisting of 1/4" glass - 1/2" air - 1/4" glass.
- Any vent size outside of the AAMA Gateway tested size may have reduced performance.
- Chart assumes the window has been installed in a properly prepared opening by a qualified installer.
- Individual job criteria such as: other glazing materials, specified wind load, and specific operating hardware; may enhance or restrict the chart.
- Minimum vent size is 18" x 14" with standard cam locks and 4-bar hinges.
- The chart is a general guideline for projected vent sizing, anything on the edge or outside of the range will need to be reviewed by Winco Engineering.

WINCO RESERVES THE RIGHT TO MODIFY OR CHANGE INFORMATION WITHIN THIS BOOK WHEN DEEMED NECESSARY FOR PRODUCT IMPROVEMENT

© WINCO WINDOW COMPANY, INC. 2020

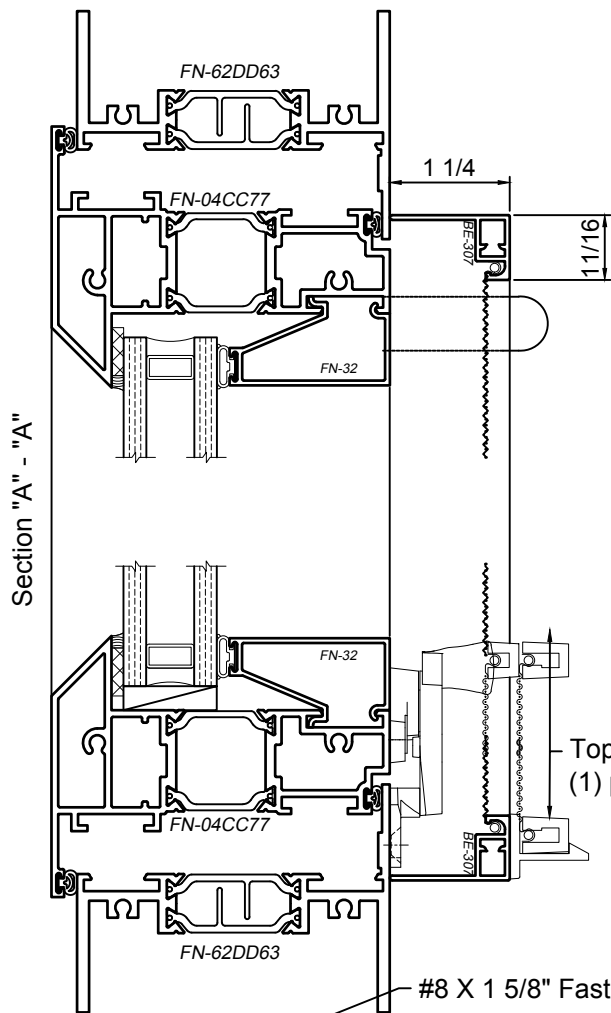
8325 Series 3-1/4" Thermal Fixed, Casement & Projected Windows

Product Details - Screen Options - PO - Awning

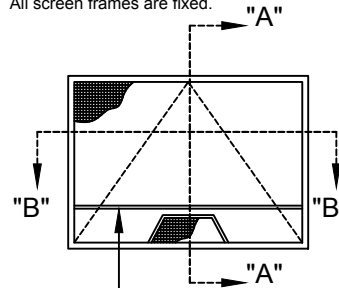


Note: Typical vent screen details shown. Winco reserves the right to alter the screen attachment detail due to job specific sizing and hardware. If you have specific screen applications you would like to see please contact your local Winco Sales Representative for more information.


WINCO RESERVES THE RIGHT TO MODIFY OR CHANGE INFORMATION WITHIN THIS BOOK WHEN DEEMED NECESSARY FOR PRODUCT IMPROVEMENT



Note: Dashed lines on screen elevations depict operable sash type.
All screen frames are fixed.



Optional D8-90 Muntin Bar

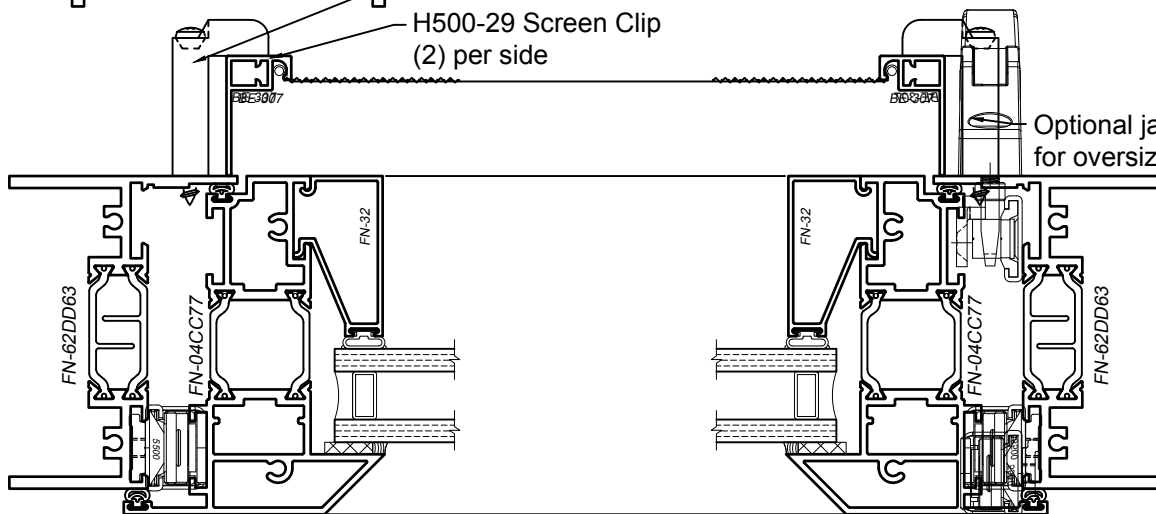


Winco reserves the right to add the D8-90 muntin bar to any aluminum mesh screen for wicket support if the vent becomes too wide. All Fiberglass screen mesh will receive the support rail regardless of width.

Top hinged Wicket
(1) per cam lock

#8 X 1 5/8" Fastener
H500-29 Screen Clip
(2) per side

Optional jamb lock
for oversized vents



© WINCO WINDOW COMPANY, INC. 2020

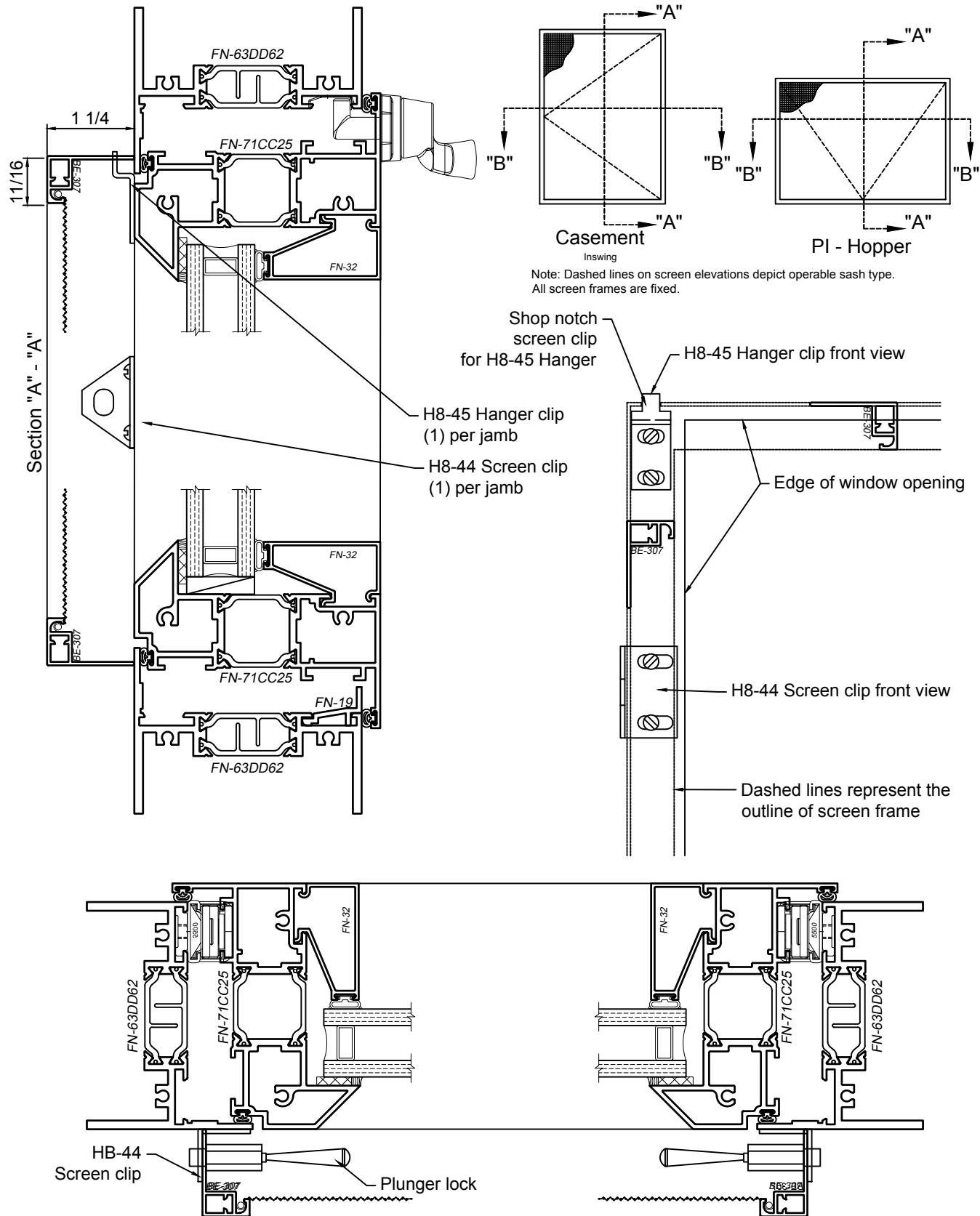
SCALE 6"=1'-0"

8325 Series 3-1/4" Thermal Fixed, Casement & Projected Windows

Product Details - Screen Options - PI Hopper



Note: Typical vent screen details shown. Winco reserves the right to alter the screen attachment detail due to job specific sizing and hardware. If you have specific screen applications you would like to see please contact your local Winco Sales Representative for more information.



WINCO RESERVES THE RIGHT TO MODIFY OR CHANGE INFORMATION WITHIN THIS BOOK WHEN DEEMED NECESSARY FOR PRODUCT IMPROVEMENT

© WINCO WINDOW COMPANY, INC. 2020

SCALE 6"=1'-0"

Section "B" - "B"

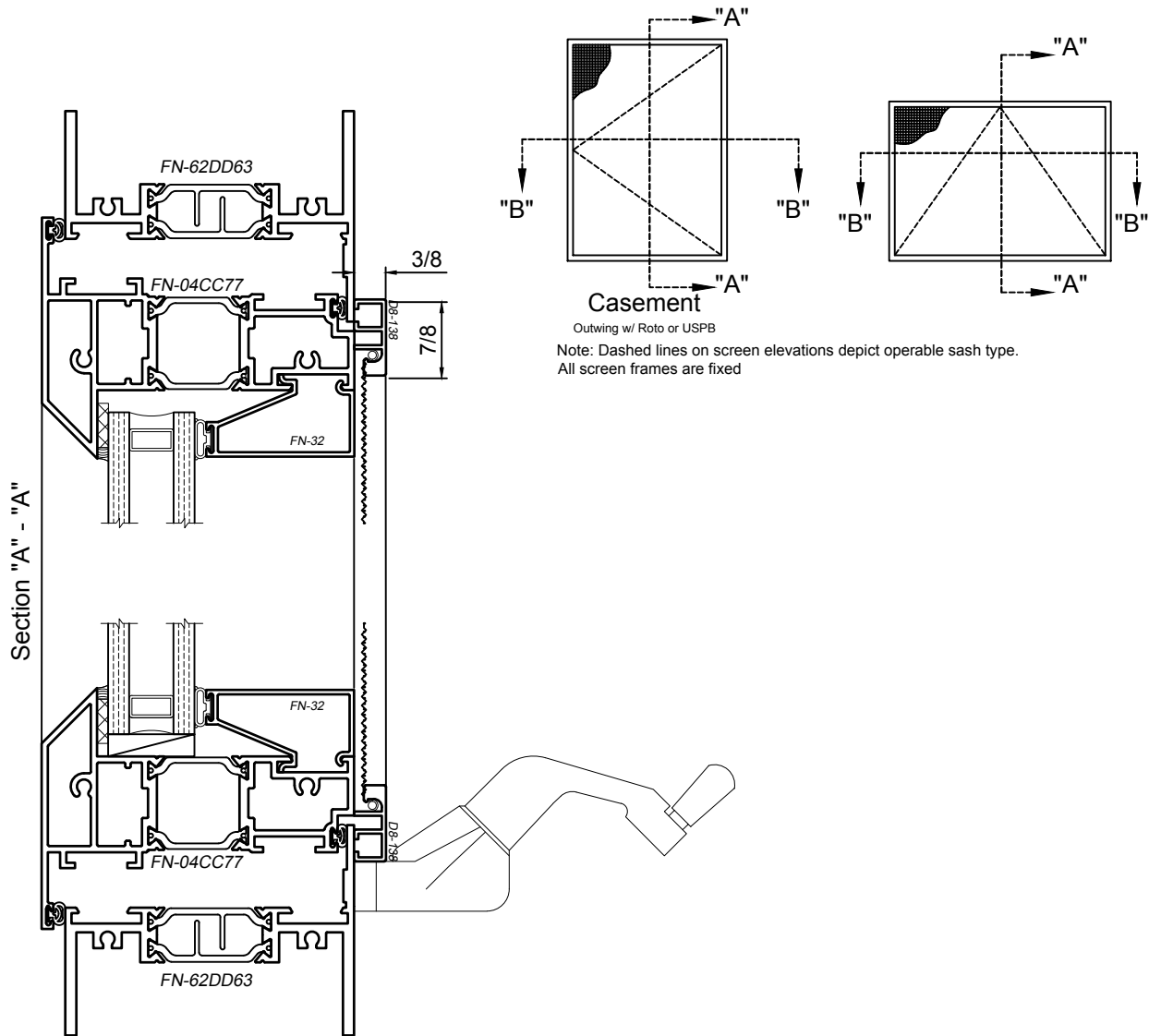
8325 Series 3-1/4" Thermal Fixed, Casement & Projected Windows

Product Details - Screen Options - PO - Awning w/ Roto Operator

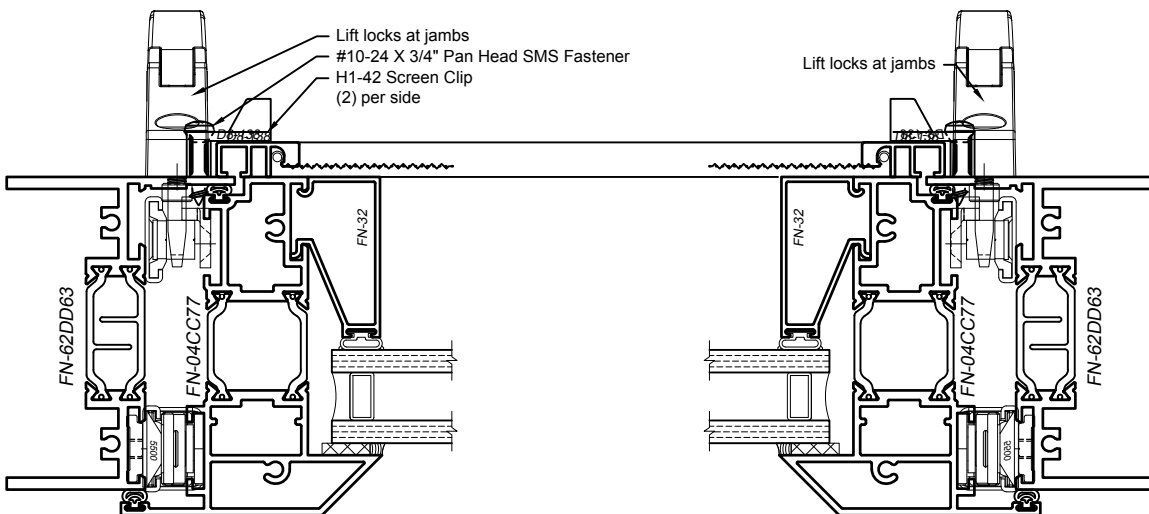


Note: Typical vent screen details shown. Winco reserves the right to alter the screen attachment detail due to job specific sizing and hardware. If you have specific screen applications you would like to see please contact your local Winco Sales Representative for more information.

WINCO RESERVES THE RIGHT TO MODIFY OR CHANGE INFORMATION WITHIN THIS BOOK WHEN DEEMED NECESSARY FOR PRODUCT IMPROVEMENT



© WINCO WINDOW COMPANY, INC. 2020



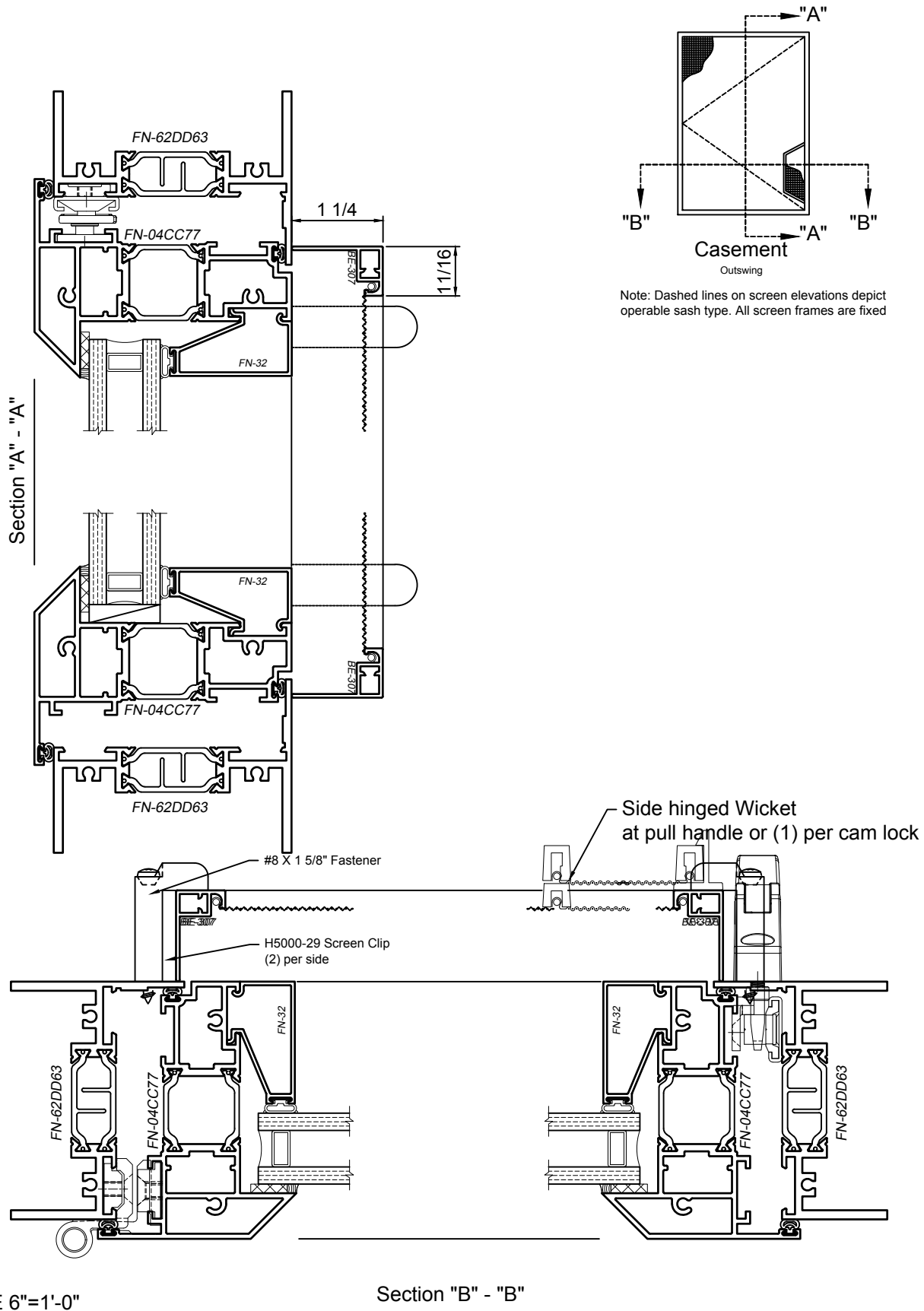
SCALE 6"=1'-0"

Section "B" - "B"

8325 Series 3-1/4" Thermal Fixed, Casement & Projected Windows Product Details - Screen Options - Outswing Casement



Note: Typical vent screen details shown. Winco reserves the right to alter the screen attachment detail due to job specific sizing and hardware. If you have specific screen applications you would like to see please contact your local Winco Sales Representative for more information.



WINCO RESERVES THE RIGHT TO MODIFY OR CHANGE INFORMATION WITHIN THIS BOOK WHEN DEEMED NECESSARY FOR PRODUCT IMPROVEMENT

© WINCO WINDOW COMPANY, INC. 2020

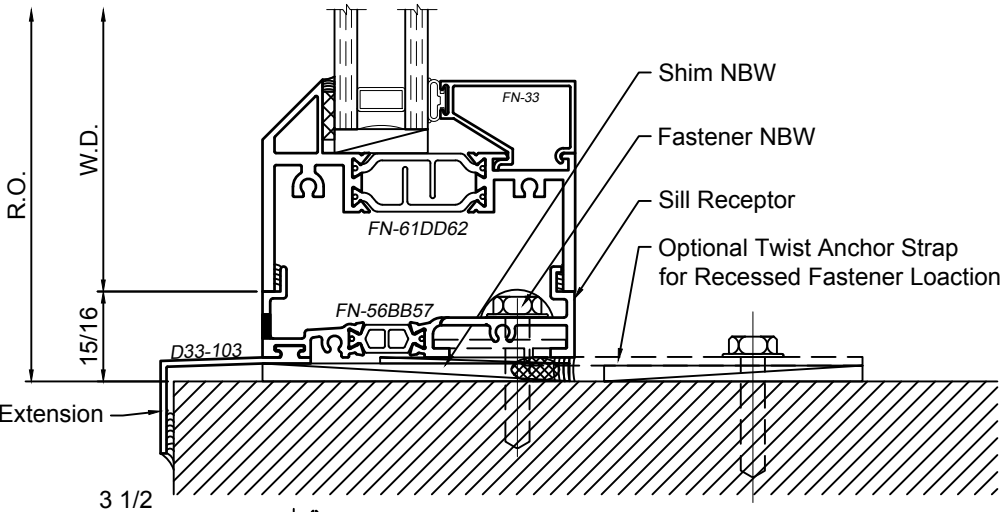
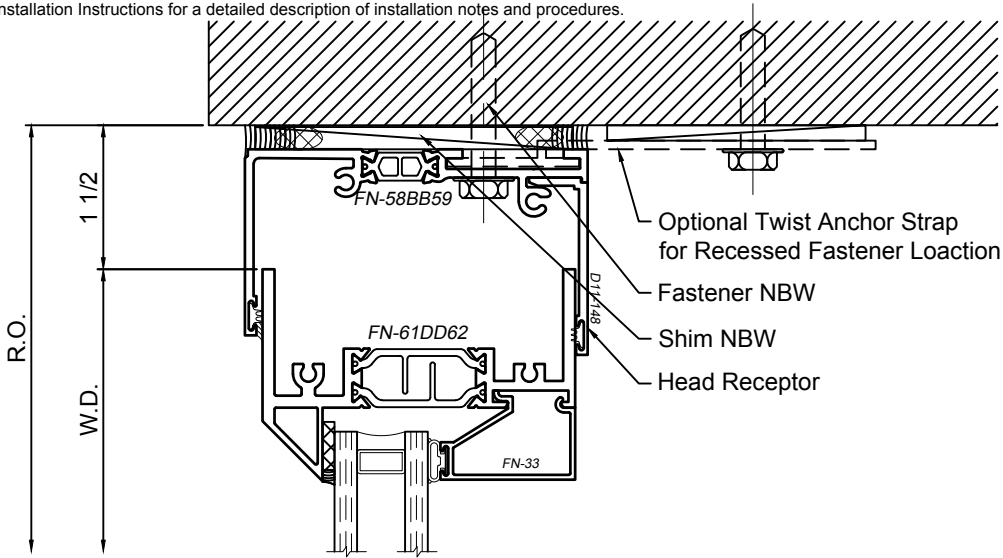
8325 Series 3-1/4" Thermal Fixed, Casement & Projected Windows

Product Details - Trim - Receptor Installation

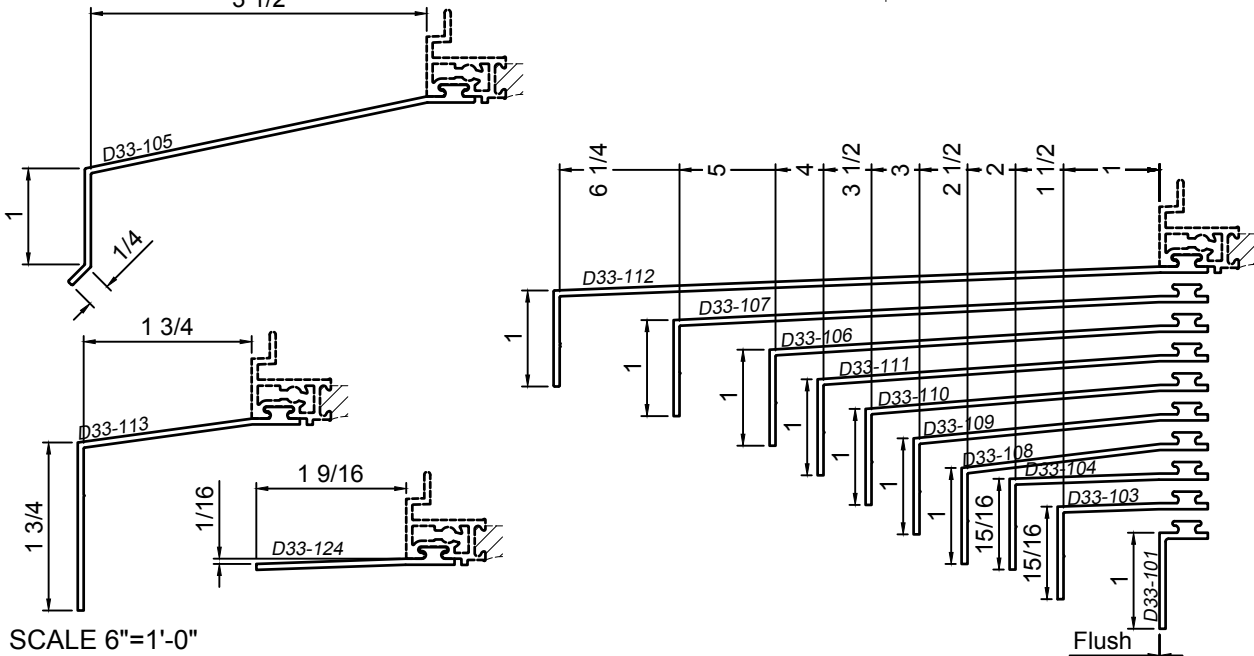


Note: See Winco Installation Instructions for a detailed description of installation notes and procedures.

WINCO RESERVES THE RIGHT TO MODIFY OR CHANGE INFORMATION WITHIN THIS BOOK WHEN DEEMED NECESSARY FOR PRODUCT IMPROVEMENT



© WINCO WINDOW COMPANY, INC. 2020

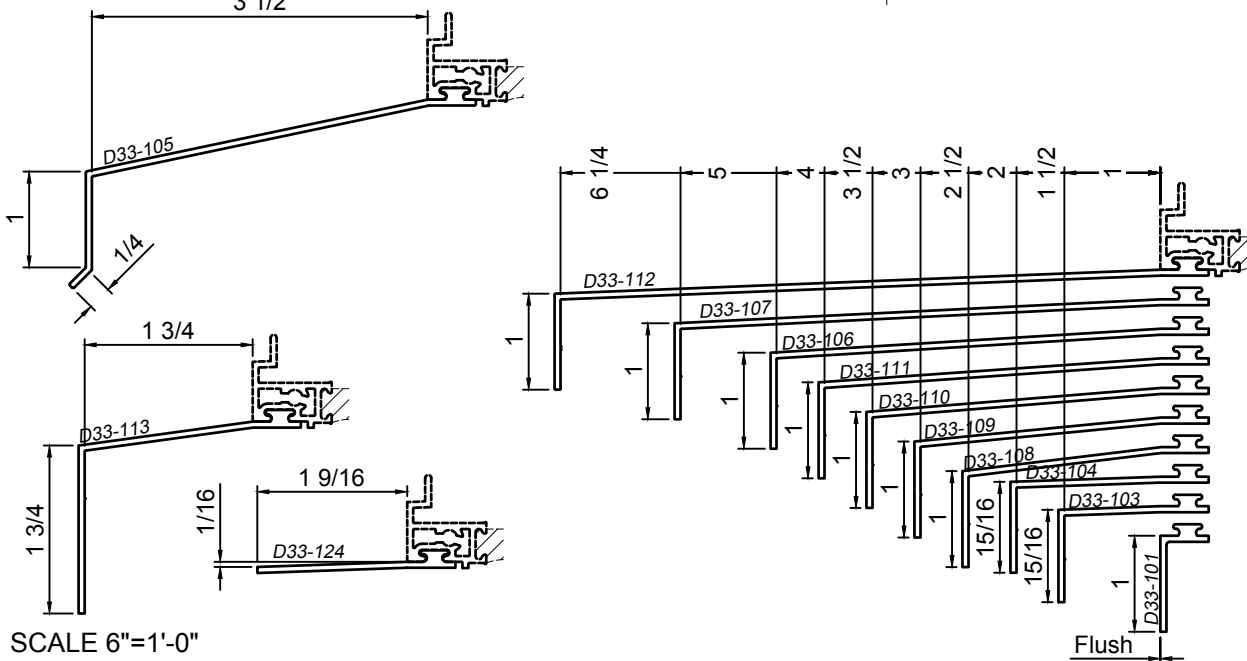
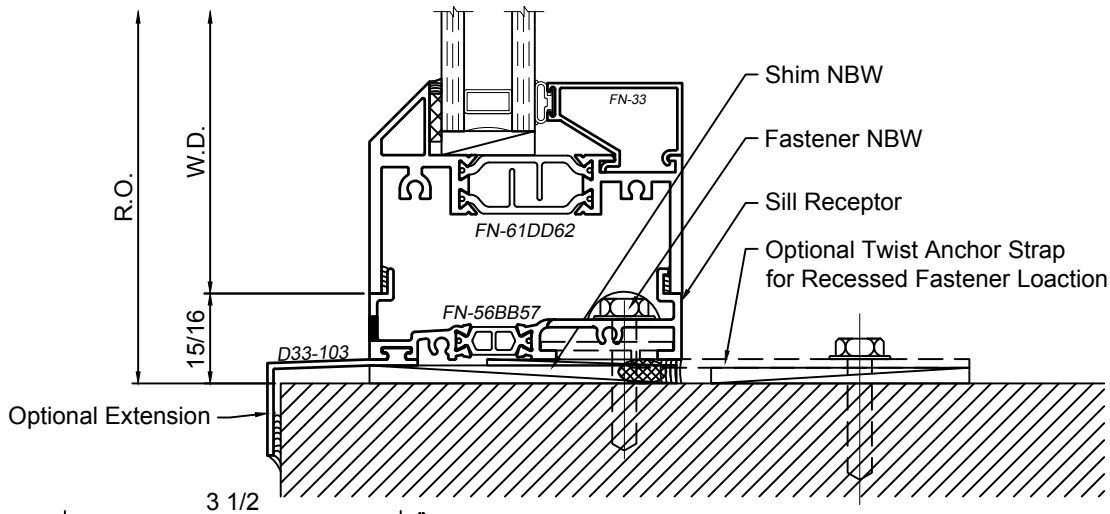
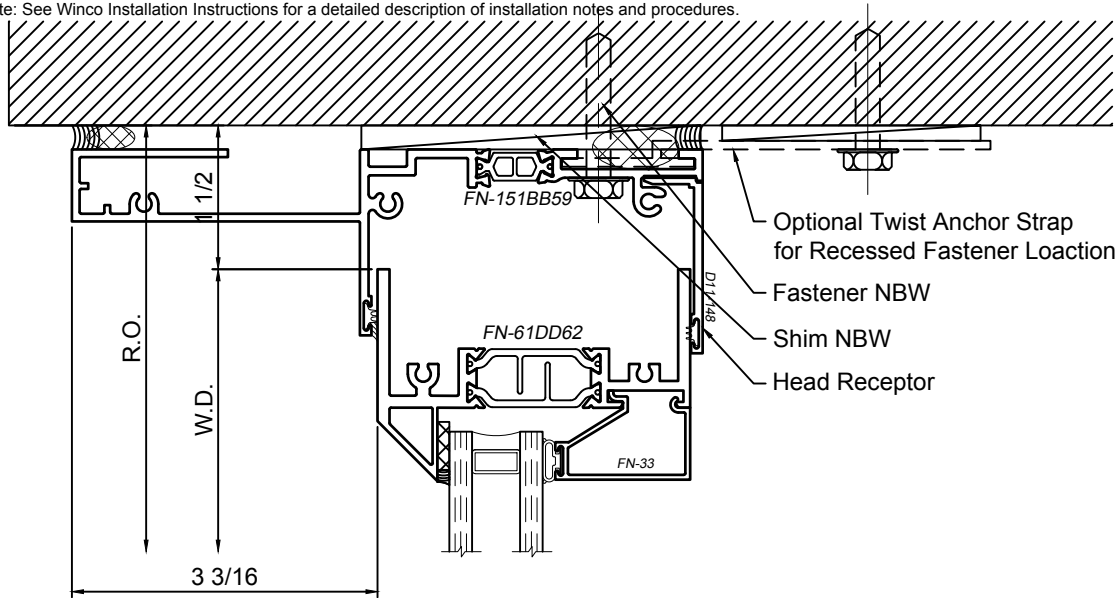


SCALE 6"=1'-0"

8325 Series 3-1/4" Thermal Fixed, Casement & Projected Windows Product Details - Trim - Receptor Installation



Note: See Winco Installation Instructions for a detailed description of installation notes and procedures.



SCALE 6"=1'-0"

WINCO RESERVES THE RIGHT TO MODIFY OR CHANGE INFORMATION WITHIN THIS BOOK WHEN DEEMED NECESSARY FOR PRODUCT IMPROVEMENT

© WINCO WINDOW COMPANY, INC. 2020

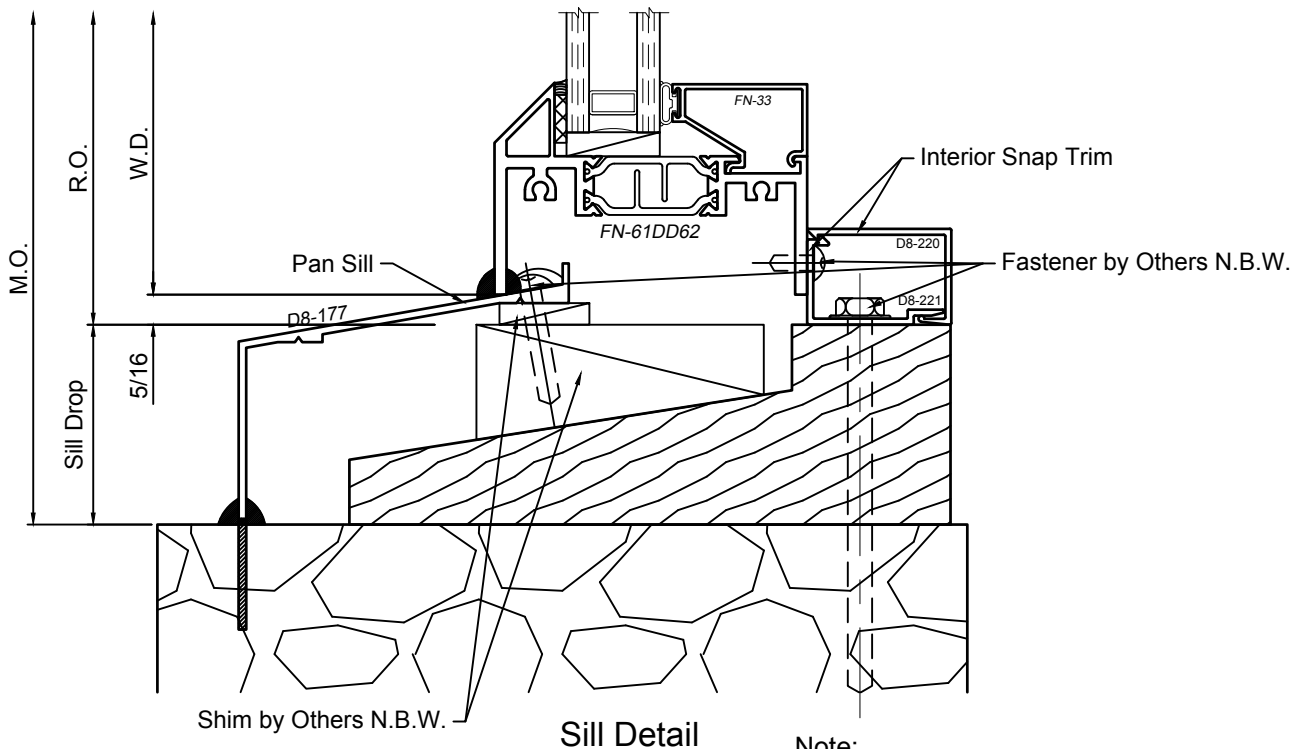
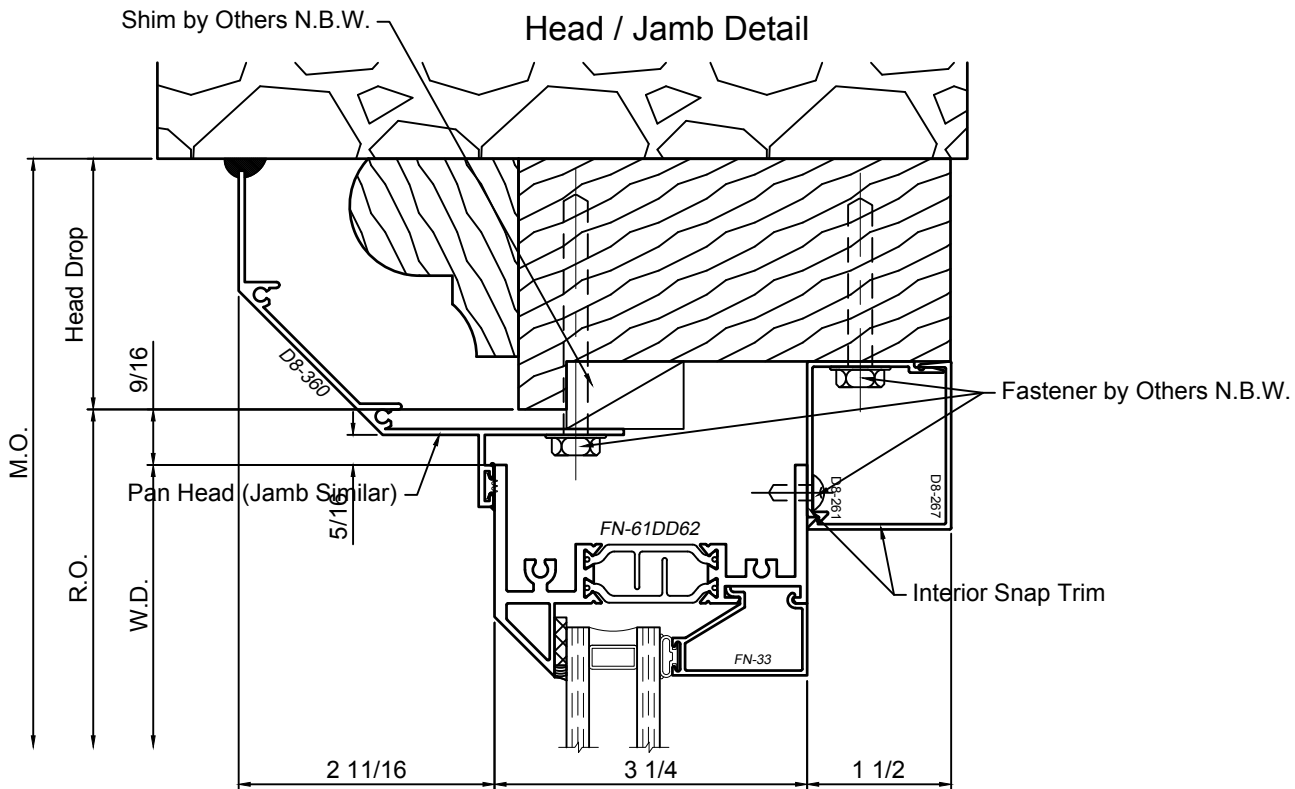
8325 Series 3-1/4" Thermal Fixed, Casement & Projected Windows

Product Details - Trim - Panning Installation



Note: See Winco Installation Instructions for a detailed description of installation notes and procedures.

WINCO RESERVES THE RIGHT TO MODIFY OR CHANGE INFORMATION WITHIN THIS BOOK WHEN DEEMED NECESSARY FOR PRODUCT IMPROVEMENT



Note:
Typical panning system shown. Refer to "Panning and Trim" section of detail binder for all panning and interior snap trim options

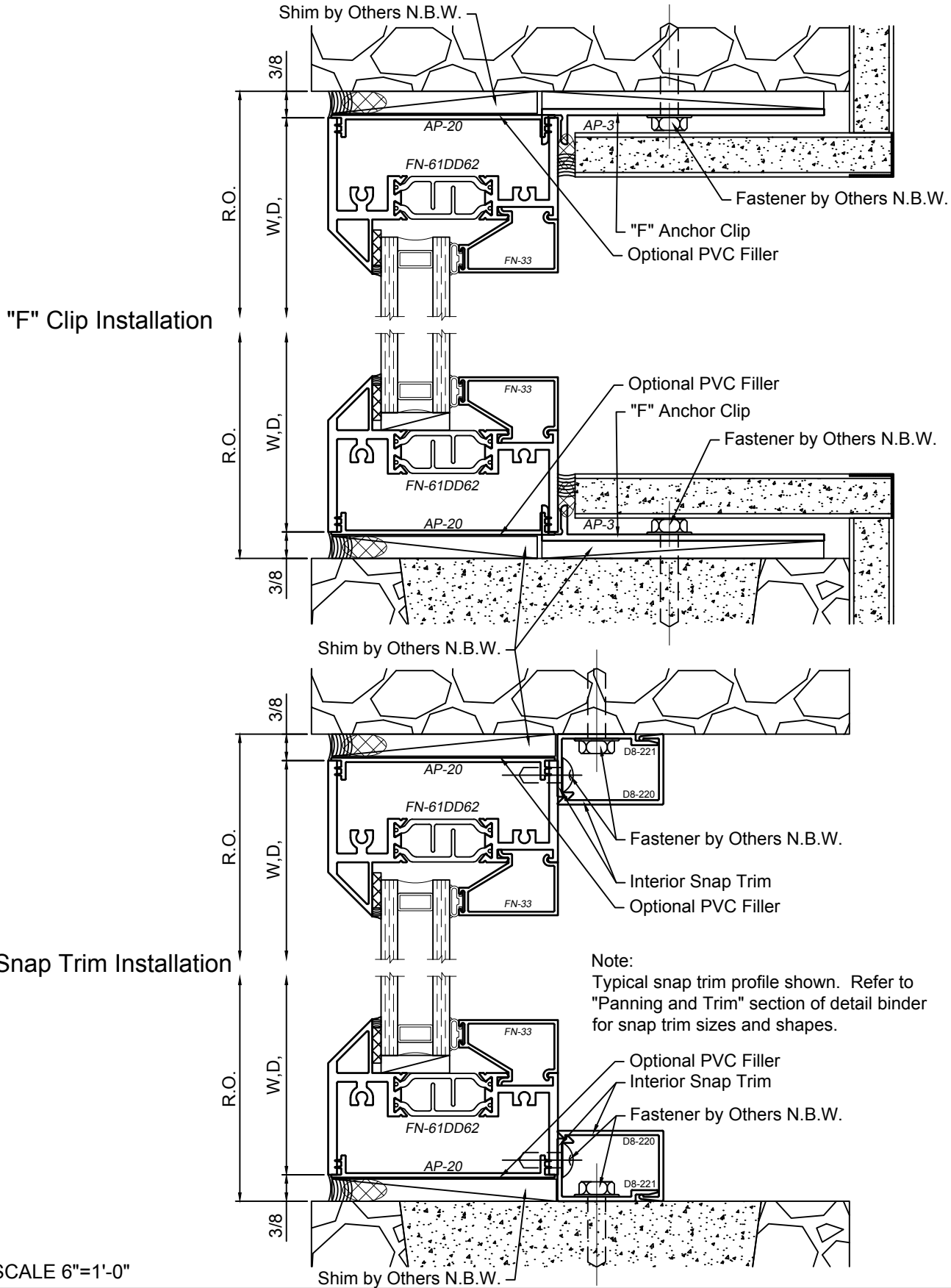
SCALE 6"=1'-0"

8325 Series 3-1/4" Thermal Fixed, Casement & Projected Windows

Product Details - Trim - F-Anchor and Snap Trim Installation



Note: See Winco Installation Instructions for a detailed description of installation notes and procedures.

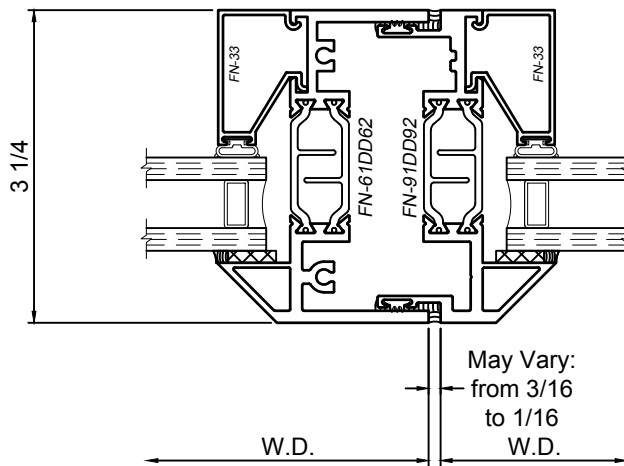


WINCO RESERVES THE RIGHT TO MODIFY OR CHANGE INFORMATION WITHIN THIS BOOK WHEN DEEMED NECESSARY FOR PRODUCT IMPROVEMENT

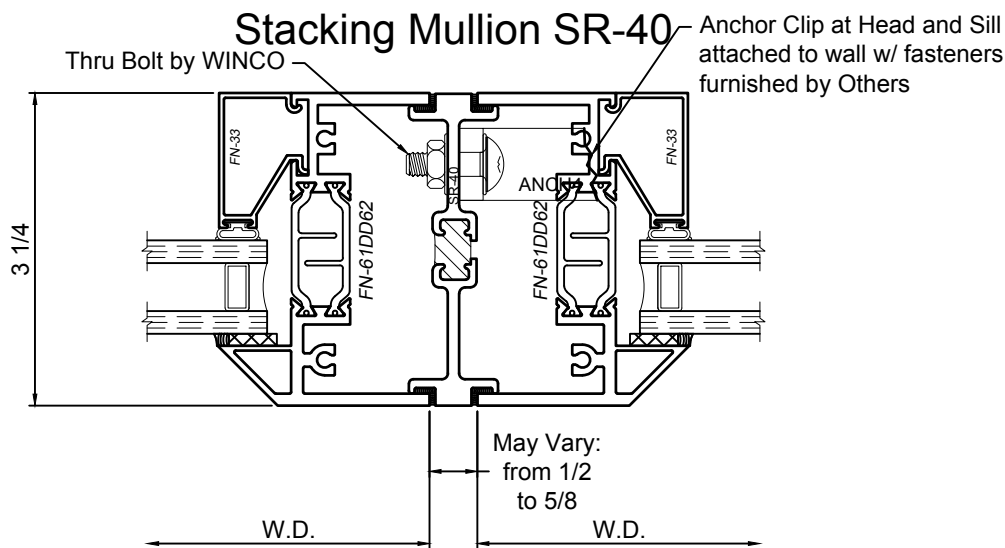
© WINCO WINDOW COMPANY, INC. 2020

SCALE 6"=1'-0"

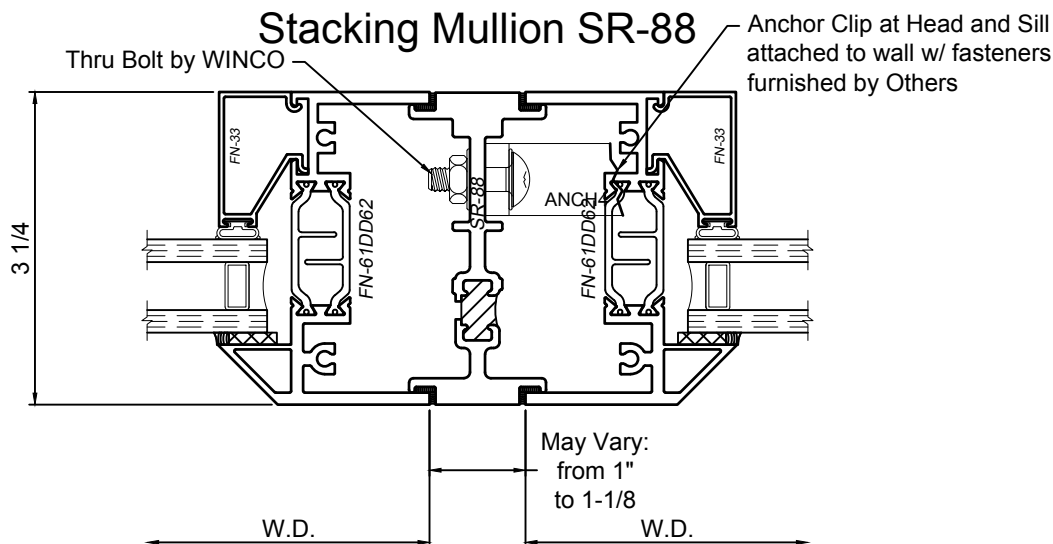
Typical Side Stack Framing



Stacking Mullion SR-40



Stacking Mullion SR-88

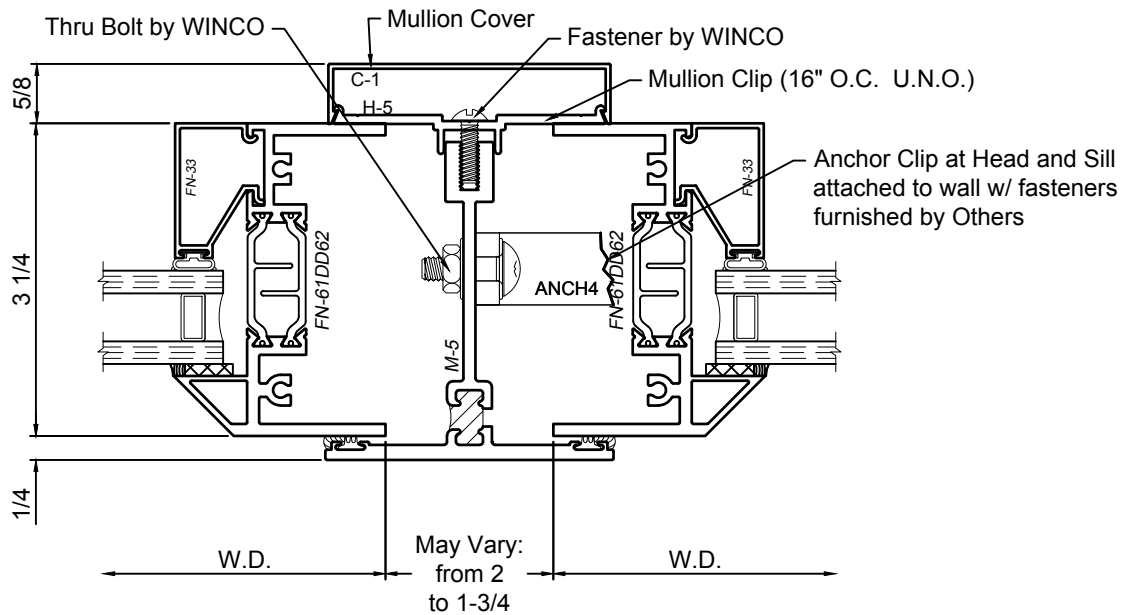


SCALE 6"=1'-0"

WINCO RESERVES THE RIGHT TO MODIFY OR CHANGE INFORMATION WITHIN THIS BOOK WHEN DEEMED NECESSARY FOR PRODUCT IMPROVEMENT

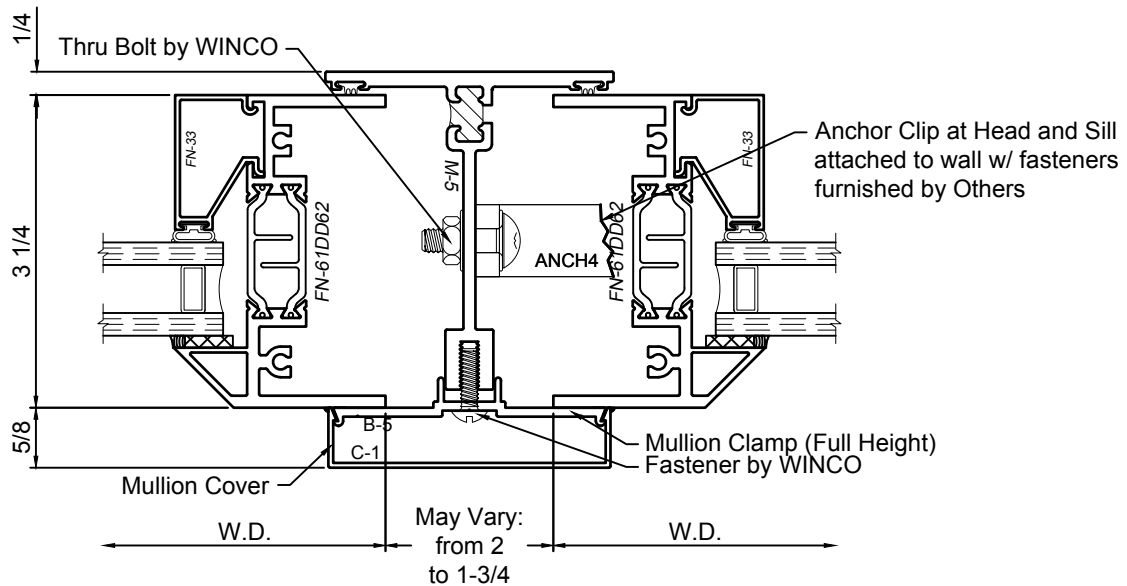
© WINCO WINDOW COMPANY, INC. 2020

M-5 Mullion set from Building Interior



WINCO RESERVES THE RIGHT TO MODIFY OR CHANGE INFORMATION WITHIN THIS BOOK WHEN DEEMED NECESSARY FOR PRODUCT IMPROVEMENT

M-5 Mullion set from Building Exterior

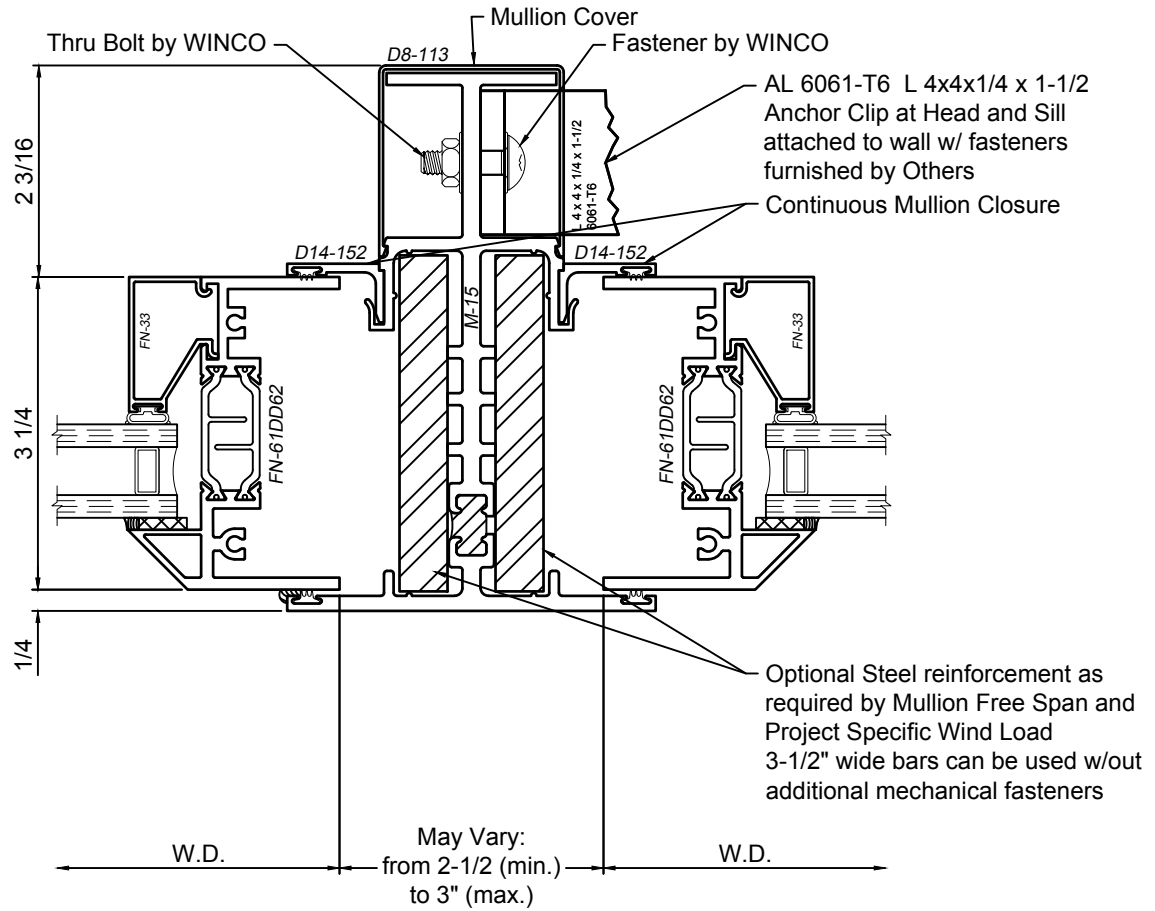


© WINCO WINDOW COMPANY, INC. 2020

SCALE 6"=1'-0"

M-15 Mullion set from Building Interior

WINCO RESERVES THE RIGHT TO MODIFY OR CHANGE INFORMATION WITHIN THIS BOOK WHEN DEEMED NECESSARY FOR PRODUCT IMPROVEMENT



SCALE 6"=1'-0"

This page is purposely left blank