



Series 1550

4-1/2" Architectural Grade Thermal Window System
Fixed - Projected - Casement



Product Overview

The 1550 Series Window is 4-1/2" depth with a 1/8" wall thickness, made for large window openings that span deep wall cavities. The recessed vent adds additional protection while providing a clean, contemporary look.

It has been used in many applications such as schools, hospitals, blast and hurricane applications.

GREEN COMMITMENT

HISTORIC REPLICATION

ENERGY SAVINGS

NOISE CONTROL

BLAST SHIELD

Features & Custom Options

- Azon "Azo-Brader" thermally broken frame and sash, backed by a 10 year warranty against the thermal break shrinkage
- Vertical and horizontal stacking members
- Fully recessed, overlapped sash configuration with fully sealed corners and dual weather-stripping
- Various glazing thicknesses available
- Wide variety of locking and operating hardware available
- Dual and triple glazing with optional integral blinds providing dynamic light control
- Ability to make inside and outside glazed panels within the same mainframe
- Accessory line of receptors, mullions, panning and trim for a customized look
- Blast, ballistic and impact glazing available
- Optional aluminum extruded screens

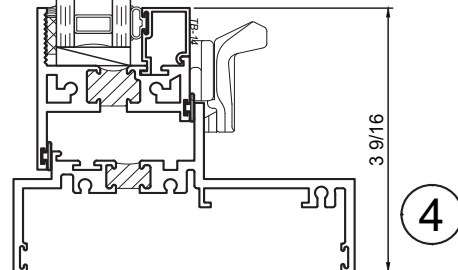
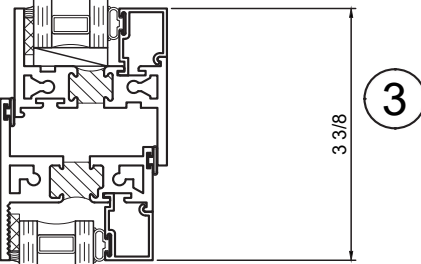
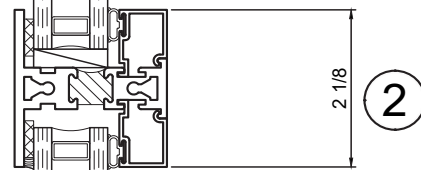
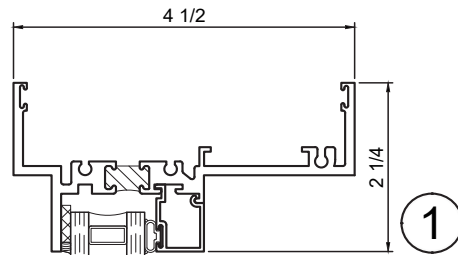
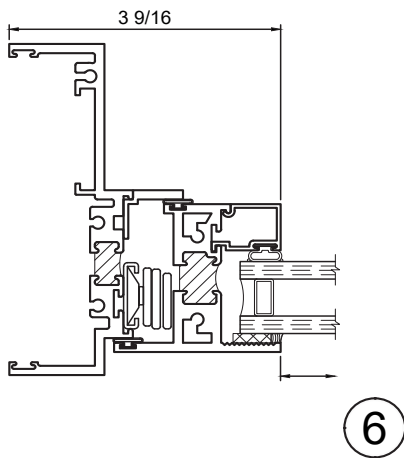
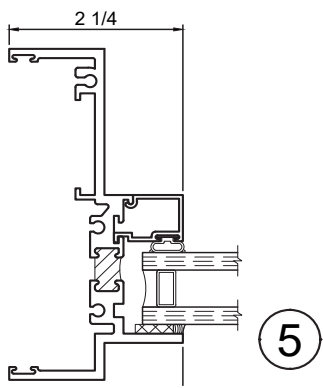
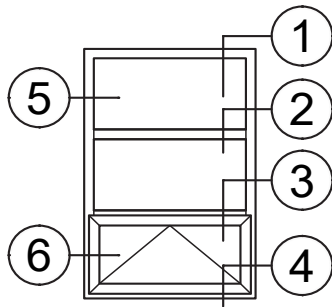
Performance Data*

Type	Air (CFM/FT ² @ 6.24 PSF)	Water (PSF)	Structural (PSF)	U-Value (Btu/Hr-Ft ² -°F)	STC
Projected AW Grade AP-AW100	Less than 0.10	12 (Higher levels may be available upon request)	+/- 150	0.44*	Contact your local Rep
Casement AW Grade C-AW100	Less than 0.10	12 (Higher levels may be available upon request)	+/- 150	0.44*	

*U-Value, CRF, Water and AW ratings are based on a particular type of glazing and window configuration being used. They are provided for comparison purposes only. They are based on products of standard configuration, tested in accordance with NFRC/FGIA/AAMA specifications, in a laboratory environment under optimum conditions. Performance values will vary according to project specifications, installation, size, configuration, hardware, glass, etc. Any required field testing should be done in accordance with the project specifications and FGIA/AAMA field testing protocol, not this data.



Series 1550 Detail Drawings



Winco Window Company
6200 Maple Avenue
St Louis, MO 63130

TESTING: Our products meet stringent testing requirements of both the American Architectural Manufacturers Association (AAMA) and the National Fenestration Rating Council (NFRC) standards and certification.

VER:121322

