



Series 8800 Behavioral Care Window

4" Architectural Grade Thermal Window System
Fixed



Product Overview

Winco's Series 8800 behavioral care window system combines energy efficiency with safety features to protect patients. Our series 8800 has a thermally broken mainframe that will meet all your performance criteria.

The 8800 is a 4" deep frame with a nominal wall thickness of 0.125". The human impact sash is a hinged configuration with concealed stainless steel hinges and multi point locks.

GREEN COMMITMENT

ENERGY SAVINGS

NOISE CONTROL

HUMAN IMPACT RESISTANT

Features & Custom Options

- Fixed window is tested to withstand multiple 2000 ft-lb impacts
- Dual and triple glazing with optional integral blinds providing dynamic light control
- Special security system for behavioral health applications
- 1/8" wall thickness in frame members
- Concealed hinges with supplemental reinforcement
- Dual strut thermal break
- Supplemental lock hole covers with tamper proof screws
- Impact resistant interior polycarbonate or laminated glass
- Integral 5/8" or 1" venetian blinds
- Supplemental GEM security lock
- Dual finish available
- Exterior tinted or laminated glass for additional privacy

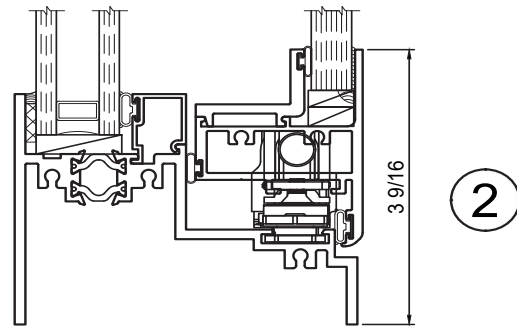
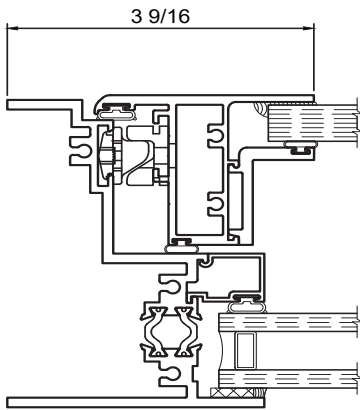
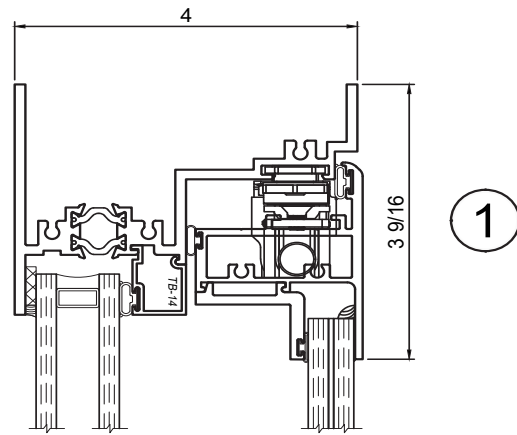
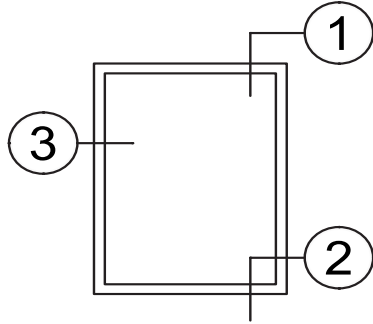
Performance Data*

Type	Air (CFM/FT2 @ 6.24 PSF)	Water (PSF)	Structural (PSF)	CRF	U-Value (Btu/Hr-Ft ² -°F)	STC
Fixed - AW Grade AP-AW100	Less than 0.10	12 (Higher levels may be available upon request)	+/- 150	67*	0.25*	Contact your local Rep

*U-Value, CRF, Water and AW ratings are based on a particular type of glazing and window configuration being used. They are provided for comparison purposes only. They are based on products of standard configuration, tested in accordance with NFRC/FGIA/AAMA specifications, in a laboratory environment under optimum conditions. Performance values will vary according to project specifications, installation, size, configuration, hardware, glass, etc. Any required field testing should be done in accordance with the project specifications and FGIA/AAMA field testing protocol, not this data.



Series 8800 Detail Drawings



Winco Window Company
6200 Maple Avenue
St Louis, MO 63130

TESTING: Our products meet stringent testing requirements of both the American Architectural Manufacturers Association (AAMA) and the National Fenestration Rating Council (NFRC) standards and certification.

VER:310323

