



WINCO

WINDOW

Product Brochure  
Catalog



# Series 1150

2" Architectural Grade Thermal Window System  
Fixed - Projected - Casement



## Product Overview

The 1150 Series window is a versatile platform used with great success in schools, hospitals, offices, and residences for both public and private projects. This window can perform blast, ballistic, impact, and hurricane requirements and can be configured as fixed or in-swing, out-swing projected, and casement. The 1150 Series accommodates challenging openings and configurations.

GREEN COMMITMENT

ENERGY SAVINGS

NOISE CONTROL

BLAST SHIELD

WIND PROTECTION

## Features & Custom Options

- Azon "Azo-Braided" thermally broken frame and sash, backed by a 10 year warranty against thermal break shrinkage
- Vertical and horizontal stacking members
- Fully mitered overlap sash configuration with fully sealed corners and dual weather-stripping
- Various glazing thicknesses available
- Optional aluminum extruded screens
- Dual and triple glazing with optional integral blinds providing dynamic light control
- Wide variety of locking and operating hardware available
- Ability to make inside and outside glazed panels within the same mainframe
- Accessory line of receptors, mullions, panning and trim for a customized look
- Blast, ballistic and impact glazing available

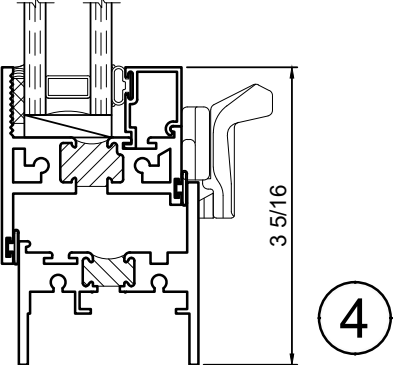
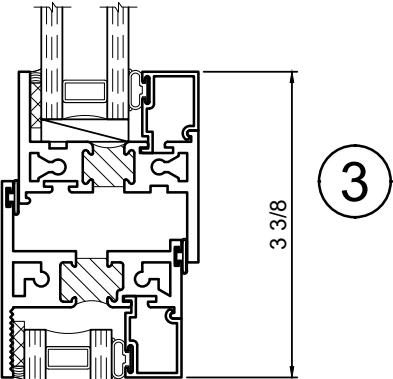
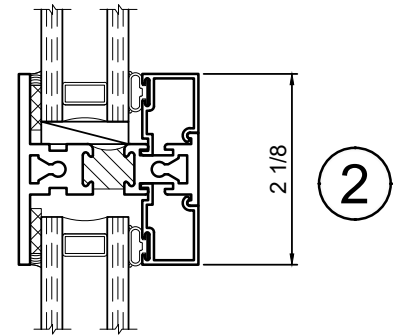
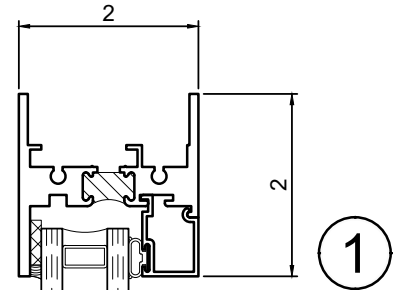
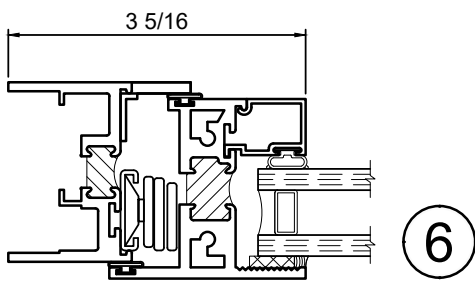
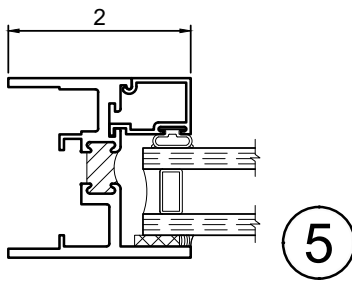
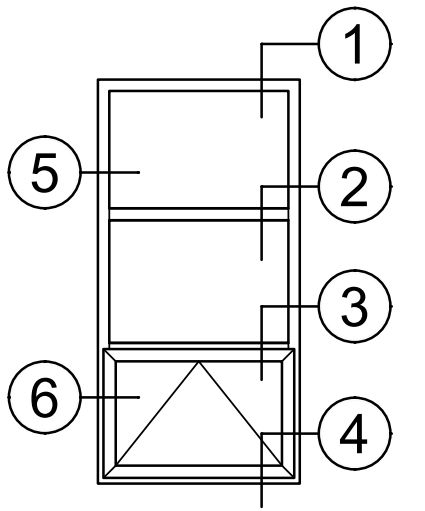
## Performance Data\*

Type	Air (CFM/FT <sup>2</sup> @ 6.24 PSF)	Water (PSF)	Structural (PSF)	CRF	U-Value (Btu/Hr-Ft <sup>2</sup> -°F)	STC
Projected AW Grade AP-AW100	Less than 0.10	12 (Higher levels may be available upon request)	+/- 150	59*	0.39*	Contact your local Rep
Casement AW Grade C-AW80	Less than 0.10	12 (Higher levels may be available upon request)	+/- 120	59*	0.39*	

\*U-Value, CRF, Water and AW ratings are based on a particular type of glazing and window configuration being used. They are provided for comparison purposes only. They are based on products of standard configuration, tested in accordance with NFRC/FGIA/AAMA specifications, in a laboratory environment under optimum conditions. Performance values will vary according to project specifications, installation, size, configuration, hardware, glass, etc. Any required field testing should be done in accordance with the project specifications and FGIA/AAMA field testing protocol, not this data.



# Series 1150 Detail Drawings



Winco Window Company  
6200 Maple Avenue  
St Louis, MO 63130

TESTING: Our products meet stringent testing requirements of both the American Architectural Manufacturers Association (AAMA) and the National Fenestration Rating Council (NFRC) standards and certification.

VER:110621





# Series 1150S

2" Architectural Grade Thermal Window System  
Fixed - Projected - Casement



## Product Overview

The 1150S Series has an integral beveled glazing stop allowing profiled and flat applied muntin grids to nest inside of the vertical plane of the window. Available in fixed, projected, and casement with an optional blast, ballistic, and impact glazing. The 1150S Series is complemented by a full line of trim and accessories.

GREEN COMMITMENT

HISTORIC REPLICATION

ENERGY SAVINGS

NOISE CONTROL

BLAST SHIELD

WIND PROTECTION

## Features & Custom Options

- Azon "Azo-Braided" thermally broken frame and sash, backed by a 10 year warranty against thermal break shrinkage
- Various glazing thicknesses available
- Vertical and horizontal stacking members
- Fully mitered overlap sash configuration with fully sealed corners and dual weather-stripping
- Integral extruded beveled glazing leg
- Optional aluminum extruded screens
- Ability to make inside and outside glazed panels within the same mainframe
- Wide variety of locking and operating hardware available
- Dual glazing with optional integral blinds providing dynamic light control
- Accessory line of receptors, mullions, panning and trim for a customized look
- Blast, ballistic and impact glazing available

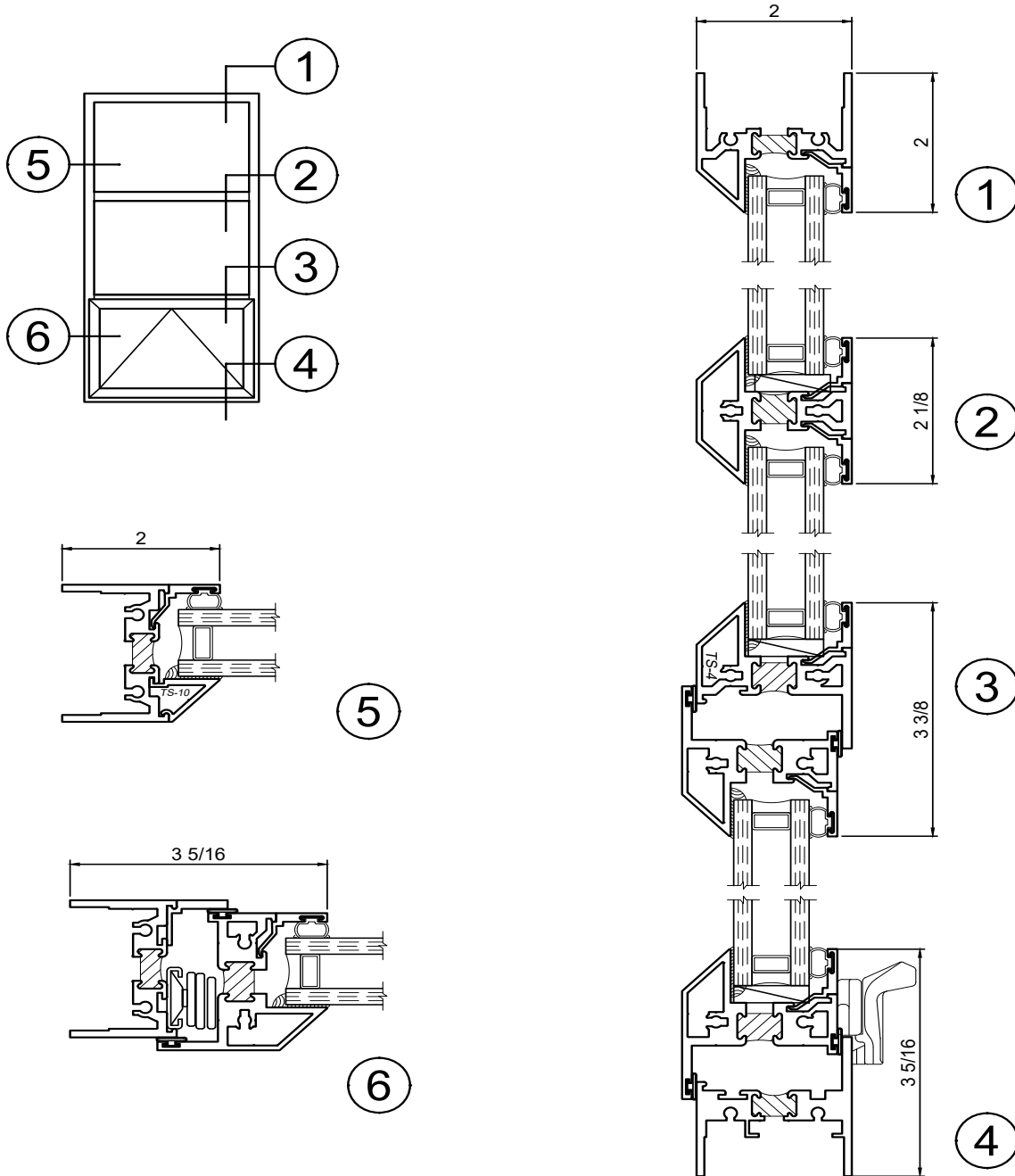
## Performance Data\*

Type	Air (CFM/FT <sup>2</sup> @ 6.24 PSF)	Water (PSF)	Structural (PSF)	CRF	U-Value (Btu/Hr-Ft <sup>2</sup> -°F)	STC
Projected AW Grade AP-AW100	Less than 0.10	12 (Higher levels may be available upon request)	+/- 150	59*	0.39*	Contact your local Rep
Casement AW Grade C-AW80	Less than 0.10	12 (Higher levels may be available upon request)	+/- 120	59*	0.39*	

\*U-Value, CRF, Water and AW ratings are based on a particular type of glazing and window configuration being used. They are provided for comparison purposes only. They are based on products of standard configuration, tested in accordance with NFRC/FGIA/AAMA specifications, in a laboratory environment under optimum conditions. Performance values will vary according to project specifications, installation, size, configuration, hardware, glass, etc. Any required field testing should be done in accordance with the project specifications and FGIA/AAMA field testing protocol, not this data.



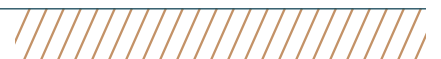
# Series 1150S Detail Drawings



Winco Window Company  
6200 Maple Avenue  
St Louis, MO 63130

TESTING: Our products meet stringent testing requirements of both the American Architectural Manufacturers Association (AAMA) and the National Fenestration Rating Council (NFRC) standards and certification.

VER:110621





# Series 1450 Hung Replica

4" Architectural Grade Thermal Window System  
Fixed - Projected - Casement



## Product Overview

The look of a double-hung window with the energy performance and configuration of a fixed, projected, or casement window is what you get with the 1450 Hung Replica Window. Its deep 4" frame with 1/8" wall thickness easily and efficiently fills large openings and spans deep wall cavities.

Glazing options include blast and impact resistant, as well as built-in shades. The 1450 Hung Replica Window offers a full line of trim and accessories to meet all historic sightline requirements of original windows.

GREEN COMMITMENT

HISTORIC REPLICATION

ENERGY SAVINGS

NOISE CONTROL

BLAST SHIELD

## Features & Custom Options

- Azon "Azo-Braided" thermally broken frame and sash, backed by a 10 year warranty against thermal break shrinkage
- Fully mitered overlap sash configuration with fully sealed corners and dual weather-stripping
- Various glazing thicknesses available
- Dual and triple glazing with optional integral blinds providing dynamic light control
- Wide variety of locking and operating hardware available
- Accessory line of receptors, mullions, panning and trim for a customized look
- Optional aluminum extruded screens
- Blast, ballistic and impact glazing available
- Optional aluminum extruded screens

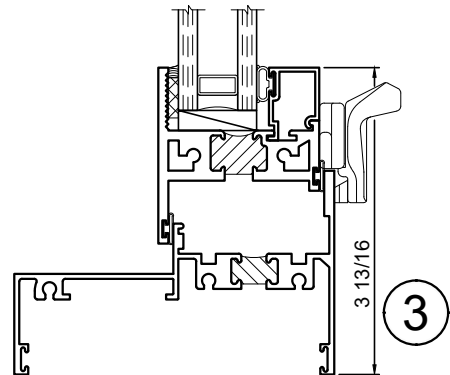
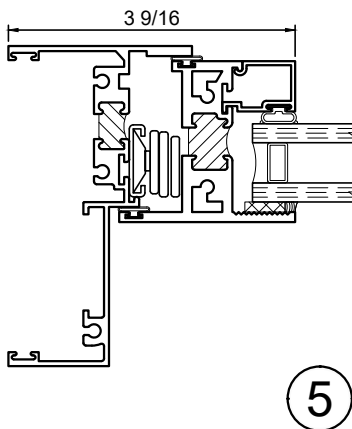
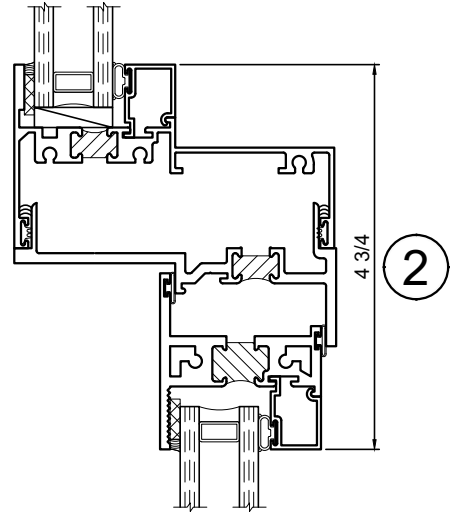
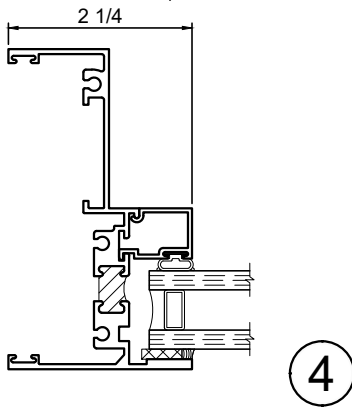
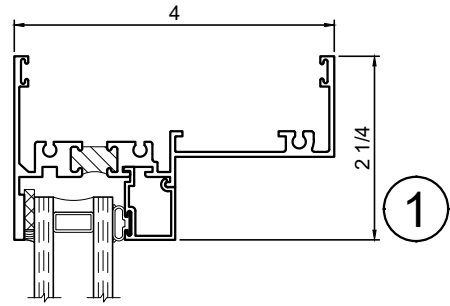
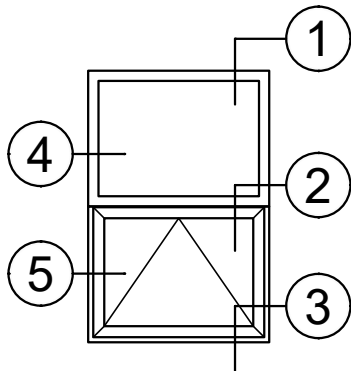
## Performance Data\*

Type	Air (CFM/FT <sup>2</sup> @ 6.24 PSF)	Water (PSF)	Structural (PSF)	CRF	U-Value (Btu/Hr-Ft <sup>2</sup> -°F)	STC
Projected AW Grade AP-AW100	Less than 0.10	12 (Higher levels may be available upon request)	+/- 150	60*	0.43*	Contact your local rep
Casement AW Grade C-AW100	Less than 0.10	12 (Higher levels may be available upon request)	+/- 150	60*	0.43*	

\*U-Value, CRF, Water and AW ratings are based on a particular type of glazing and window configuration being used. They are provided for comparison purposes only. They are based on products of standard configuration, tested in accordance with NFRC/FGIA/AAMA specifications, in a laboratory environment under optimum conditions. Performance values will vary according to project specifications, installation, size, configuration, hardware, glass, etc. Any required field testing should be done in accordance with the project specifications and FGIA/AAMA field testing protocol, not this data.



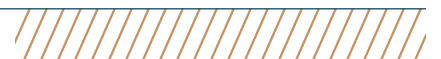
# Series 1450 Hung Replica Detail Drawings



Winco Window Company  
6200 Maple Avenue  
St Louis, MO 63130

TESTING: Our products meet stringent testing requirements of both the American Architectural Manufacturers Association (AAMA) and the National Fenestration Rating Council (NFRC) standards and certification.

VER:110621





# Series 1450 Sliding Replica

4" Architectural Grade Window System  
Fixed - Projected - Casement



## Product Overview

The 1450 Sliding Replica Window provides the aesthetic of a sliding window, but is available in fixed, projected, or casement configurations for better efficiency and durability. Its 4" deep frame and 1/8" wall thickness ensures that the 1450 SR has the strength necessary to securely fit into oversized sliding window openings.

Extruded beveled glazing leg provides a clean appearance and weathertight construction. Style options for the 1450SR include applied muntin grids, built-in shades, multiple trim including scroll trim, and panning for custom looks.

GREEN COMMITMENT

HISTORIC REPLICATION

ENERGY SAVINGS

NOISE CONTROL

BLAST SHIELD

## Features & Custom Options

- Azon "Azo-Braided" thermally broken frame and sash, backed by a 10 year warranty against thermal break shrinkage
- Vertical and horizontal stacking members
- Fully mitered overlap sash configuration with fully sealed corners and dual weather-stripping
- Various glazing thicknesses available
- Wide variety of locking and operating hardware available
- Dual and triple glazing with optional integral blinds providing dynamic light control
- Accessory line of receptors, mullions, panning and trim for a customized look
- Optional aluminum extruded screens
- Blast, ballistic and impact glazing available
- Optional aluminum extruded screens

## Performance Data\*

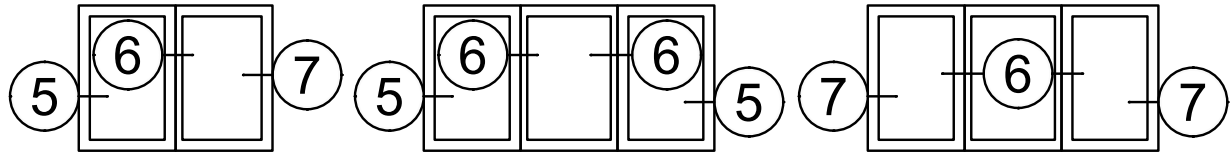
Type	Air (CFM/FT <sup>2</sup> @ 6.24 PSF)	Water (PSF)	Structural (PSF)	CRF	U-Value (Btu/Hr-Ft <sup>2</sup> -°F)	STC
Projected AW Grade AP-AW100	Less than 0.10	12 (Higher levels may be available upon request)	+/- 150	60*	0.43*	Contact your local Rep
Casement AW Grade C-AW100	Less than 0.10	12 (Higher levels may be available upon request)	+/- 150	60*	0.43*	

\*U-Value, CRF, Water and AW ratings are based on a particular type of glazing and window configuration being used. They are provided for comparison purposes only. They are based on products of standard configuration, tested in accordance with NFRC/FGIA/AAMA specifications, in a laboratory environment under optimum conditions. Performance values will vary according to project specifications, installation, size, configuration, hardware, glass, etc. Any required field testing should be done in accordance with the project specifications and FGIA/AAMA field testing protocol, not this data.





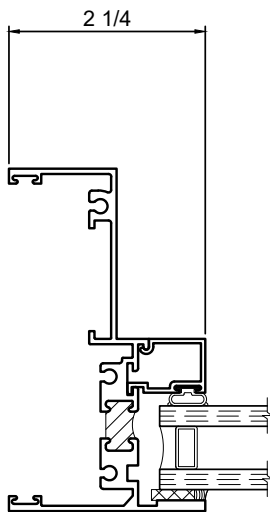
# Series 1450 Sliding Replica Detail Drawings



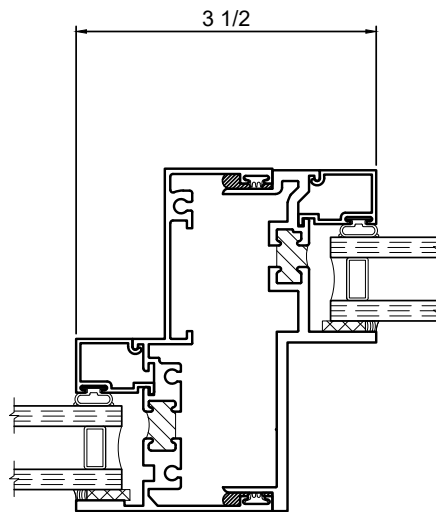
SR-1

SR-4

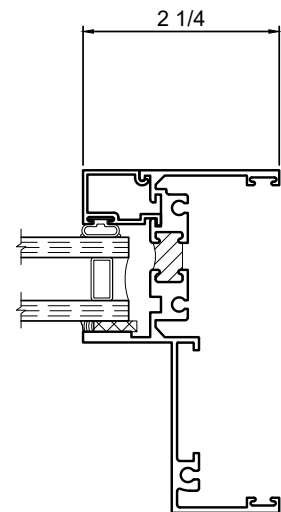
SR-7



5



6



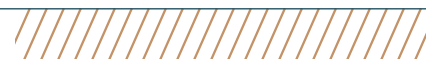
7



Winco Window Company  
6200 Maple Avenue  
St Louis, MO 63130

TESTING: Our products meet stringent testing requirements of both the American Architectural Manufacturers Association (AAMA) and the National Fenestration Rating Council (NFRC) standards and certification.

VER:110621





# Series 1450

4" Architectural Grade Thermal Window System  
Fixed - Projected - Casement



## Product Overview

The 1450 Series window has a 4" depth and 1/8" wall thickness making large openings and wide expanses of glass possible and budget sensitive. This window can perform blast, ballistic, impact, and hurricane requirements and can be configured as fixed or in-swing, out-swing projected, and casement.

The 1450 has a full line of trim and accessories for large openings and deep wall cavities. Optional custom extrusions to meet the historic sight line requirement of the original windows.

GREEN COMMITMENT

WIND PROTECTION

ENERGY SAVINGS

NOISE CONTROL

BLAST SHIELD

## Features & Custom Options

- Azon "Azo-Braided" thermally broken frame and sash, backed by a 10 year warranty against thermal break shrinkage
- Vertical and horizontal stacking members
- Fully mitered overlap sash configuration with fully sealed corners and dual weather-stripping
- Dual and triple glazing with optional integral blinds providing dynamic light control
- Various glazing thicknesses available
- Wide variety of locking and operating hardware available
- Accessory line of receptors, mullions, panning and trim for a customized look
- Ability to make inside and outside glazed panels within the same mainframe
- Blast, ballistic and impact glazing available
- Optional aluminum extruded screens

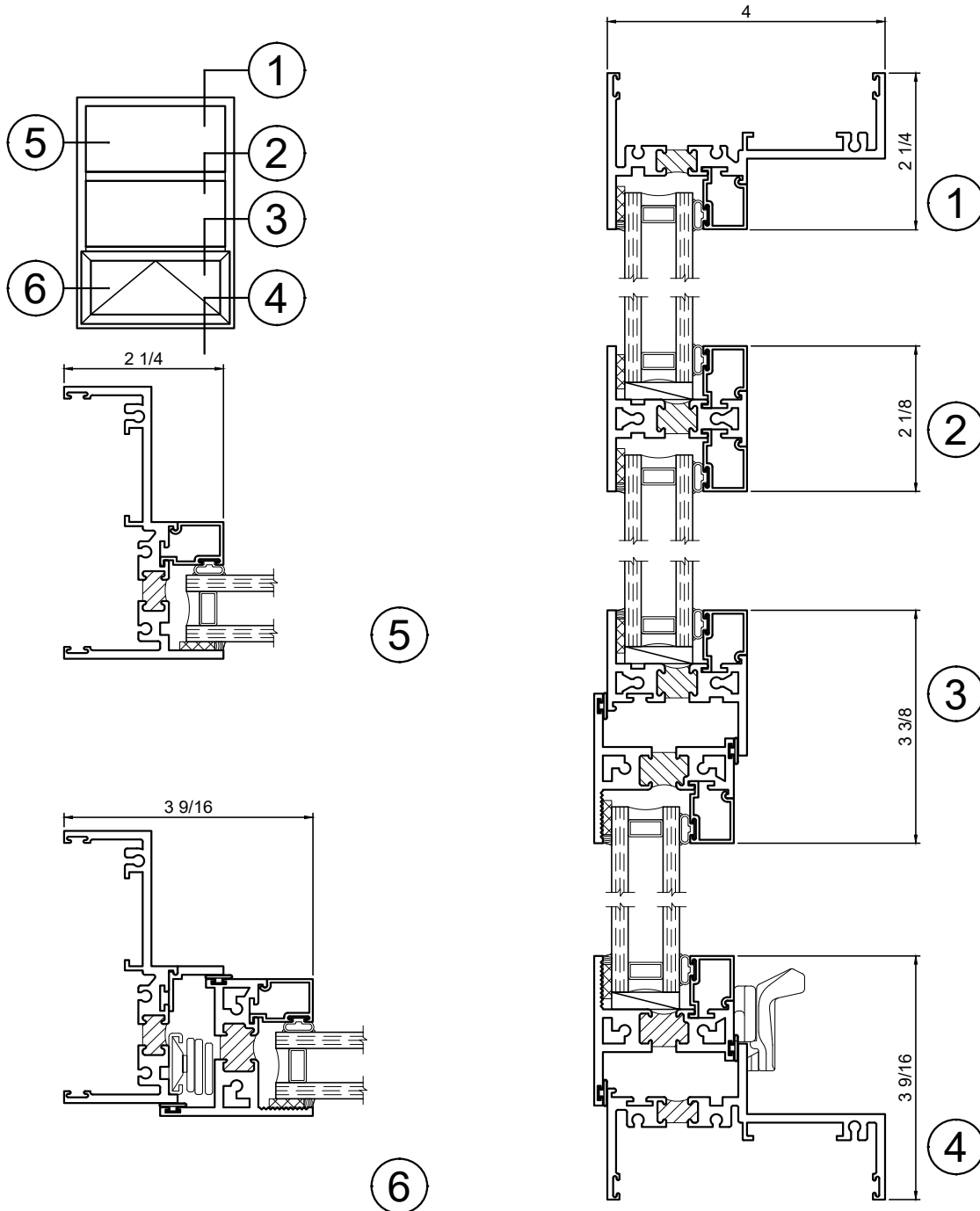
## Performance Data\*

Type	Air (CFM/FT2 @ 6.24 PSF)	Water (PSF)	Structural (PSF)	CRF	U-Value (Btu/Hr-Ft <sup>2</sup> -°F)	STC
Projected AW Grade AP-AW100	Less than 0.10	12 (Higher levels may be available upon request)	+/- 150	60*	0.43*	Contact your local Rep
Casement AW Grade C-AW100	Less than 0.10	12 (Higher levels may be available upon request)	+/- 150	60*	0.43*	

\*U-Value, CRF, Water and AW ratings are based on a particular type of glazing and window configuration being used. They are provided for comparison purposes only. They are based on products of standard configuration, tested in accordance with NFRC/FGIA/AAMA specifications, in a laboratory environment under optimum conditions. Performance values will vary according to project specifications, installation, size, configuration, hardware, glass, etc. Any required field testing should be done in accordance with the project specifications and FGIA/AAMA field testing protocol, not this data.



# Series 1450 Detail Drawings



Winco Window Company  
6200 Maple Avenue  
St Louis, MO 63130

TESTING: Our products meet stringent testing requirements of both the American Architectural Manufacturers Association (AAMA) and the National Fenestration Rating Council (NFRC) standards and certification.

VER:110621





# Series 1450S Hung Replica

4" Architectural Grade Thermal Window System  
Fixed - Projected - Casement



## Product Overview

The 1450S Simulated Hung Replica has the aesthetic of a hung window with the configuration of a fixed, projected, or casement window. The 4" frame depth and 1/8" wall thickness provides exceptional strength for a snug, durable fit into oversized sliding window openings.

Extruded beveled glazing leg provides clean sightlines with weathertight construction. Also available with applied muntin grids and panning for a customized look.

GREEN COMMITMENT

HISTORIC REPLICATION

ENERGY SAVINGS

NOISE CONTROL

BLAST SHIELD

## Features & Custom Options

- Azon "Azo-Braided" thermally broken frame and sash, backed by a 10 year warranty against thermal break shrinkage
- Fully mitered overlap sash configuration with fully sealed corners and dual weather-stripping
- Various glazing thicknesses available
- Dual glazing with optional integral blinds providing dynamic light control
- Integral extruded beveled glazing leg
- Wide variety of locking and operating hardware available
- Accessory line of receptors, mullions, panning and trim for a customized look
- Optional aluminum extruded screens

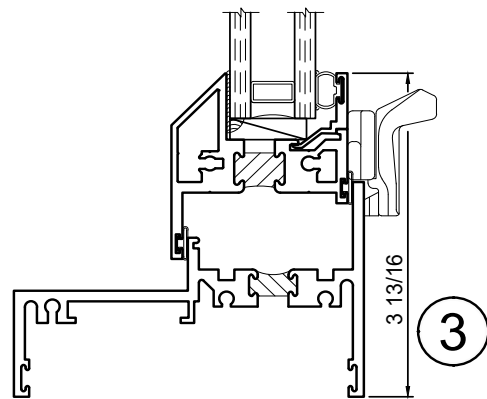
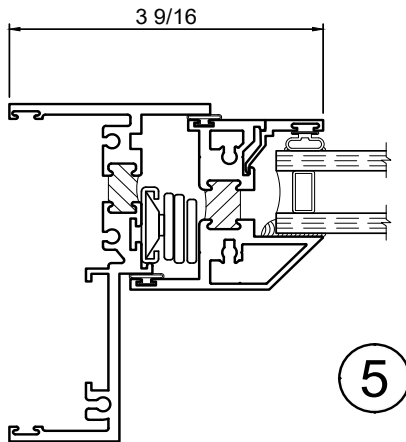
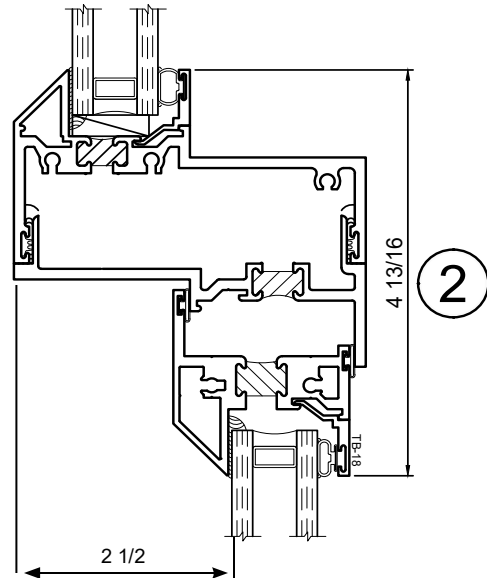
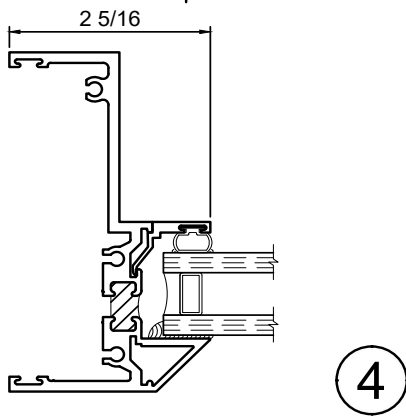
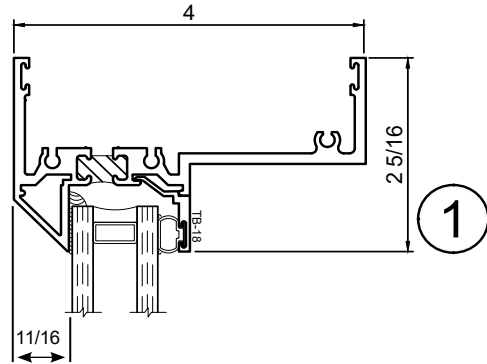
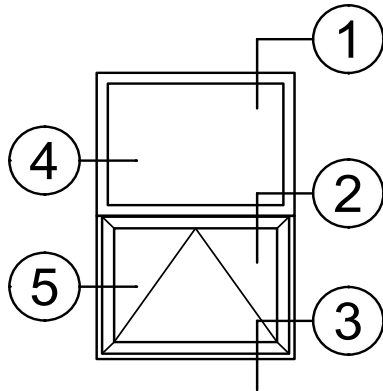
## Performance Data\*

Type	Air (CFM/FT <sup>2</sup> @ 6.24 PSF)	Water (PSF)	Structural (PSF)	CRF	U-Value (Btu/Hr-Ft <sup>2</sup> -°F)	STC
Projected AW Grade AP-AW100	Less than 0.10	12 (Higher levels may be available upon request)	+/- 150	60*	0.43*	Contact your local rep
Casement AW Grade C-AW100	Less than 0.10	12 (Higher levels may be available upon request)	+/- 150	60*	0.43*	

\*U-Value, CRF, Water and AW ratings are based on a particular type of glazing and window configuration being used. They are provided for comparison purposes only. They are based on products of standard configuration, tested in accordance with NFRC/FGIA/AAMA specifications, in a laboratory environment under optimum conditions. Performance values will vary according to project specifications, installation, size, configuration, hardware, glass, etc. Any required field testing should be done in accordance with the project specifications and FGIA/AAMA field testing protocol, not this data.



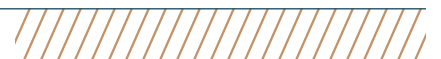
# Series 1450S Hung Replica Detail Drawings



Winco Window Company  
6200 Maple Avenue  
St Louis, MO 63130

TESTING: Our products meet stringent testing requirements of both the American Architectural Manufacturers Association (AAMA) and the National Fenestration Rating Council (NFRC) standards and certification.

VER:110621





# Series 1450S Sliding Replica

4" Architectural Grade Thermal Window System  
Fixed - Projected - Casement



## Product Overview

The 1450S Simulated Sliding Replica has the look of a sliding window, but is available in fixed, projected, or casement configurations for energy efficiency and long lasting performance. The 4" frame depth with 1/8" wall thickness ensures a proper fit for large and oversized window openings.

Extruded beveled glazing leg delivers a clean appearance with weathertight construction. Also available with applied muntin grids and panning for a customized look.

GREEN COMMITMENT

HISTORIC REPLICATION

ENERGY SAVINGS

NOISE CONTROL

BLAST SHIELD

## Features & Custom Options

- Integral extruded beveled glazing leg
- Azon "Azo-Braided" thermally broken frame and sash, backed by a 10 year warranty against thermal break shrinkage
- Fully mitered overlap sash configuration with fully sealed corners and dual weather-stripping
- Various glazing thicknesses available
- Optional aluminum extruded screens
- Dual glazing with optional integral blinds providing dynamic light control
- Wide variety of locking and operating hardware available
- Accessory line of receptors, mullions, panning and trim for a customized look

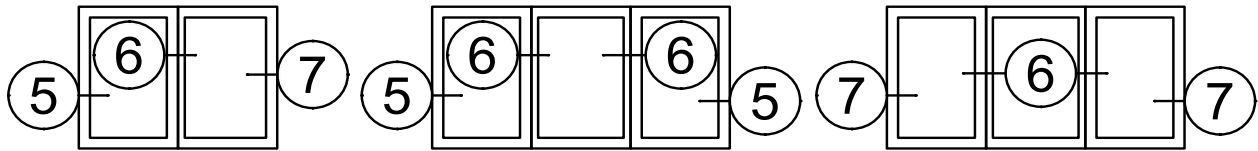
## Performance Data\*

Type	Air (CFM/FT <sup>2</sup> @ 6.24 PSF)	Water (PSF)	Structural (PSF)	CRF	U-Value (Btu/Hr-Ft <sup>2</sup> -°F)	STC
Projected AW Grade AP-AW100	Less than 0.10	12 (Higher levels may be available upon request)	+/- 150	60*	0.43*	Contact your local Rep
Casement AW Grade C-AW100	Less than 0.10	12 (Higher levels may be available upon request)	+/- 150	60*	0.43*	

\*U-Value, CRF, Water and AW ratings are based on a particular type of glazing and window configuration being used. They are provided for comparison purposes only. They are based on products of standard configuration, tested in accordance with NFRC/FGIA/AAMA specifications, in a laboratory environment under optimum conditions. Performance values will vary according to project specifications, installation, size, configuration, hardware, glass, etc. Any required field testing should be done in accordance with the project specifications and FGIA/AAMA field testing protocol, not this data.



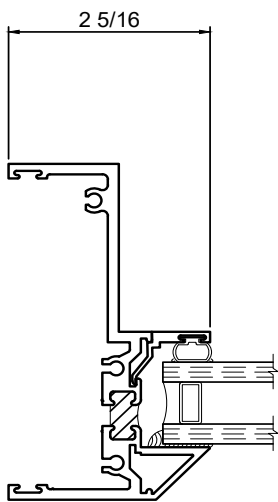
# Series 1450S Sliding Replica Detail Drawings



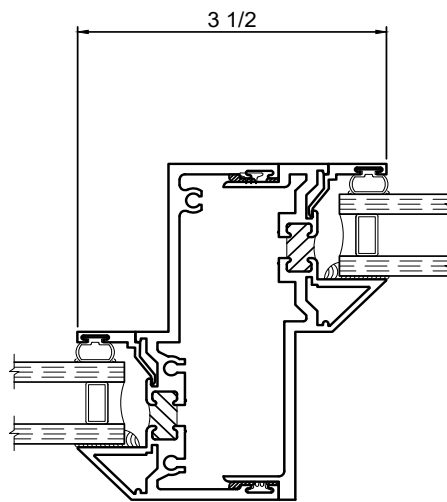
SR-2

SR-5

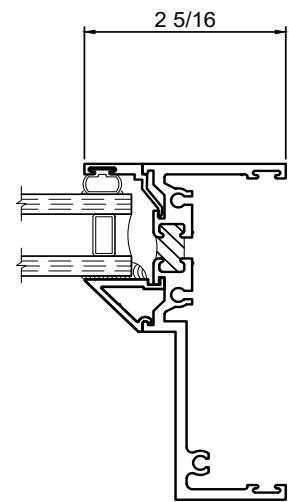
SR-8



5



6



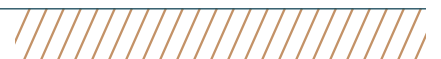
7



Winco Window Company  
6200 Maple Avenue  
St Louis, MO 63130

TESTING: Our products meet stringent testing requirements of both the American Architectural Manufacturers Association (AAMA) and the National Fenestration Rating Council (NFRC) standards and certification.

VER:110621





# Series 1450S

4" Architectural Grade Window System  
Fixed - Projected - Casement



## Product Overview

With an integral beveled glazing stop, the 1450S is the right choice for your fixed, projected and casement window needs that require applied muntin grids.

No longer do you have to settle for the leaky drop-in beveled grid of the past. The extruded beveled glazing leg provides the clean appearance and weathertight construction your project deserves.

GREEN COMMITMENT

HISTORIC REPLICATION

ENERGY SAVINGS

NOISE CONTROL

BLAST SHIELD

## Features & Custom Options

- Azon "Azo-Braided" thermally broken frame and sash, backed by a 10 year warranty against thermal break shrinkage
- Vertical and horizontal stacking members
- Fully mitered overlap sash configuration with fully sealed corners and dual weather-stripping
- Various glazing thicknesses available
- Integral extruded beveled glazing leg
- Dual glazing with optional integral blinds providing dynamic light control
- Wide variety of locking and operating hardware available
- Ability to make inside and outside glazed panels within the same mainframe
- Accessory line of receptors, mullions, panning and trim for a customized look
- Blast, ballistic and impact glazing available
- Optional aluminum extruded screens

## Performance Data\*

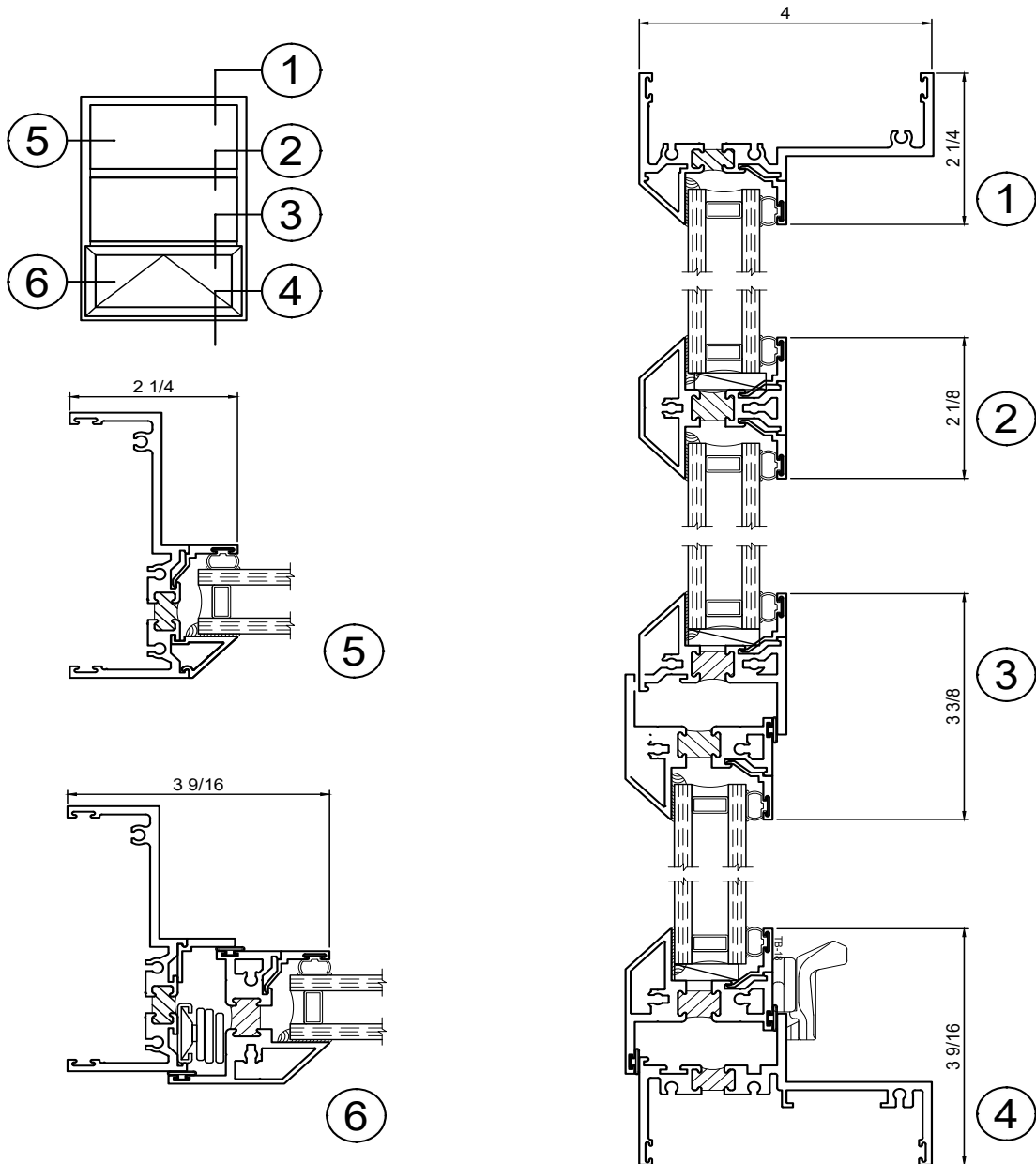
Type	Air (CFM/FT <sup>2</sup> @ 6.24 PSF)	Water (PSF)	Structural (PSF)	CRF	U-Value (Btu/Hr-Ft <sup>2</sup> -°F)	STC
Projected AW Grade AP-AW100	Less than 0.10	12 (Higher levels may be available upon request)	+/- 150	60*	0.43*	Contact your local Rep
Casement AW Grade C-AW100	Less than 0.10	12 (Higher levels may be available upon request)	+/- 150	60*	0.43*	

\*U-Value, CRF, Water and AW ratings are based on a particular type of glazing and window configuration being used. They are provided for comparison purposes only. They are based on products of standard configuration, tested in accordance with NFRC/FGIA/AAMA specifications, in a laboratory environment under optimum conditions. Performance values will vary according to project specifications, installation, size, configuration, hardware, glass, etc. Any required field testing should be done in accordance with the project specifications and FGIA/AAMA field testing protocol, not this data.





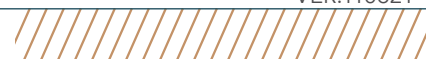
# Series 1450S Detail Drawings



Winco Window Company  
6200 Maple Avenue  
St Louis, MO 63130

TESTING: Our products meet stringent testing requirements of both the American Architectural Manufacturers Association (AAMA) and the National Fenestration Rating Council (NFRC) standards and certification.

VER:110621





# Series 1550

4-1/2" Architectural Grade Thermal Window System  
Fixed - Projected - Casement



## Product Overview

The 1550 Series Window is 4-1/2" depth with a 1/8" wall thickness, made for large window openings that span deep wall cavities. The recessed vent adds additional protection while providing a clean, contemporary look.

It has been used in many applications such as schools, hospitals, blast and hurricane applications.

GREEN COMMITMENT

HISTORIC REPLICATION

ENERGY SAVINGS

NOISE CONTROL

BLAST SHIELD

## Features & Custom Options

- Azon "Azo-Brader" thermally broken frame and sash, backed by a 10 year warranty against the thermal break shrinkage
- Vertical and horizontal stacking members
- Fully recessed, overlapped sash configuration with fully sealed corners and dual weather-stripping
- Various glazing thicknesses available
- Wide variety of locking and operating hardware available
- Dual and triple glazing with optional integral blinds providing dynamic light control
- Ability to make inside and outside glazed panels within the same mainframe
- Accessory line of receptors, mullions, panning and trim for a customized look
- Blast, ballistic and impact glazing available
- Optional aluminum extruded screens

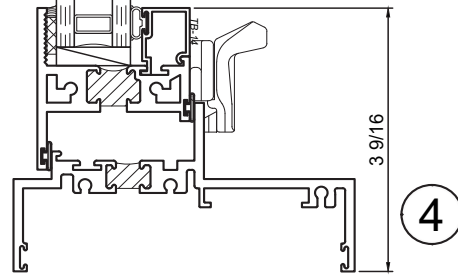
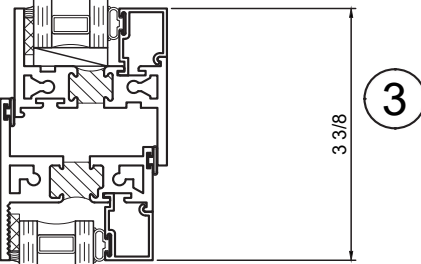
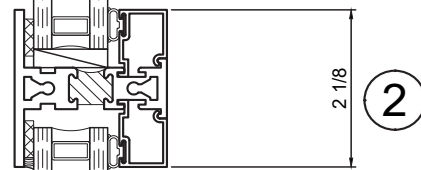
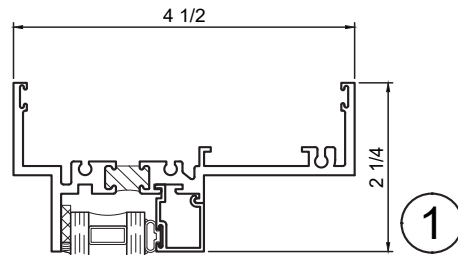
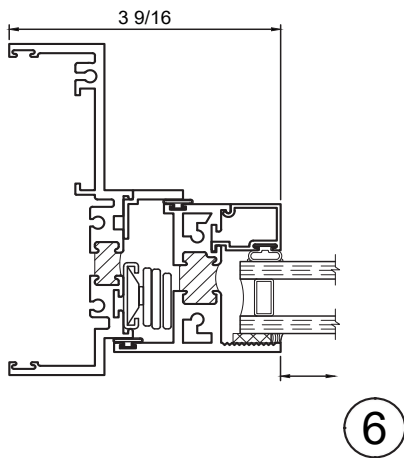
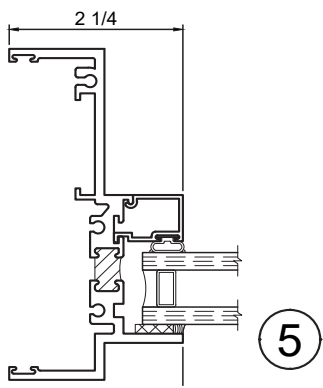
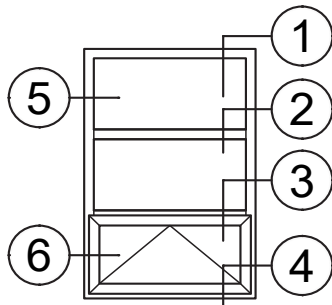
## Performance Data\*

Type	Air (CFM/FT <sup>2</sup> @ 6.24 PSF)	Water (PSF)	Structural (PSF)	U-Value (Btu/Hr-Ft <sup>2</sup> -°F)	STC
Projected AW Grade AP-AW100	Less than 0.10	12 (Higher levels may be available upon request)	+/- 150	0.44*	Contact your local Rep
Casement AW Grade C-AW100	Less than 0.10	12 (Higher levels may be available upon request)	+/- 150	0.44*	

\*U-Value, CRF, Water and AW ratings are based on a particular type of glazing and window configuration being used. They are provided for comparison purposes only. They are based on products of standard configuration, tested in accordance with NFRC/FGIA/AAMA specifications, in a laboratory environment under optimum conditions. Performance values will vary according to project specifications, installation, size, configuration, hardware, glass, etc. Any required field testing should be done in accordance with the project specifications and FGIA/AAMA field testing protocol, not this data.



# Series 1550 Detail Drawings



Winco Window Company  
6200 Maple Avenue  
St Louis, MO 63130

TESTING: Our products meet stringent testing requirements of both the American Architectural Manufacturers Association (AAMA) and the National Fenestration Rating Council (NFRC) standards and certification.

VER:121322





# Series 3250 Steel Replica

3-1/4" Architectural Grade Thermal Window System  
Fixed - Projected - Casement



## Product Overview

Winco's 3250 Steel Replica window series was designed to satisfy historic requirements while also meeting modern building codes demands. With the thinnest profiles on the market for an architectural grade, thermal window system the 3250 is still robust and versatile successful in large openings and achieving low U-Values.

In addition, the 3250 meets coastal hurricane zone requirements while preserving the architectural integrity of significant historic buildings.

GREEN COMMITMENT

HISTORIC REPLICATION

ENERGY SAVINGS

NOISE CONTROL

BLAST SHIELD

WIND PROTECTION

## Features & Custom Options

- Azon "Azo-Brader" thermally broken frame and sash, backed by a 10 year warranty against thermal break shrinkage
- Integral extruded beveled glazing leg
- Vertical and horizontal stacking members
- Vent can be suspended in the middle of a fixed window
- Optional aluminum extruded screens
- Accessory line of receptors, mullions, panning and trim for a customized look
- Blast, ballistic and impact glazing available

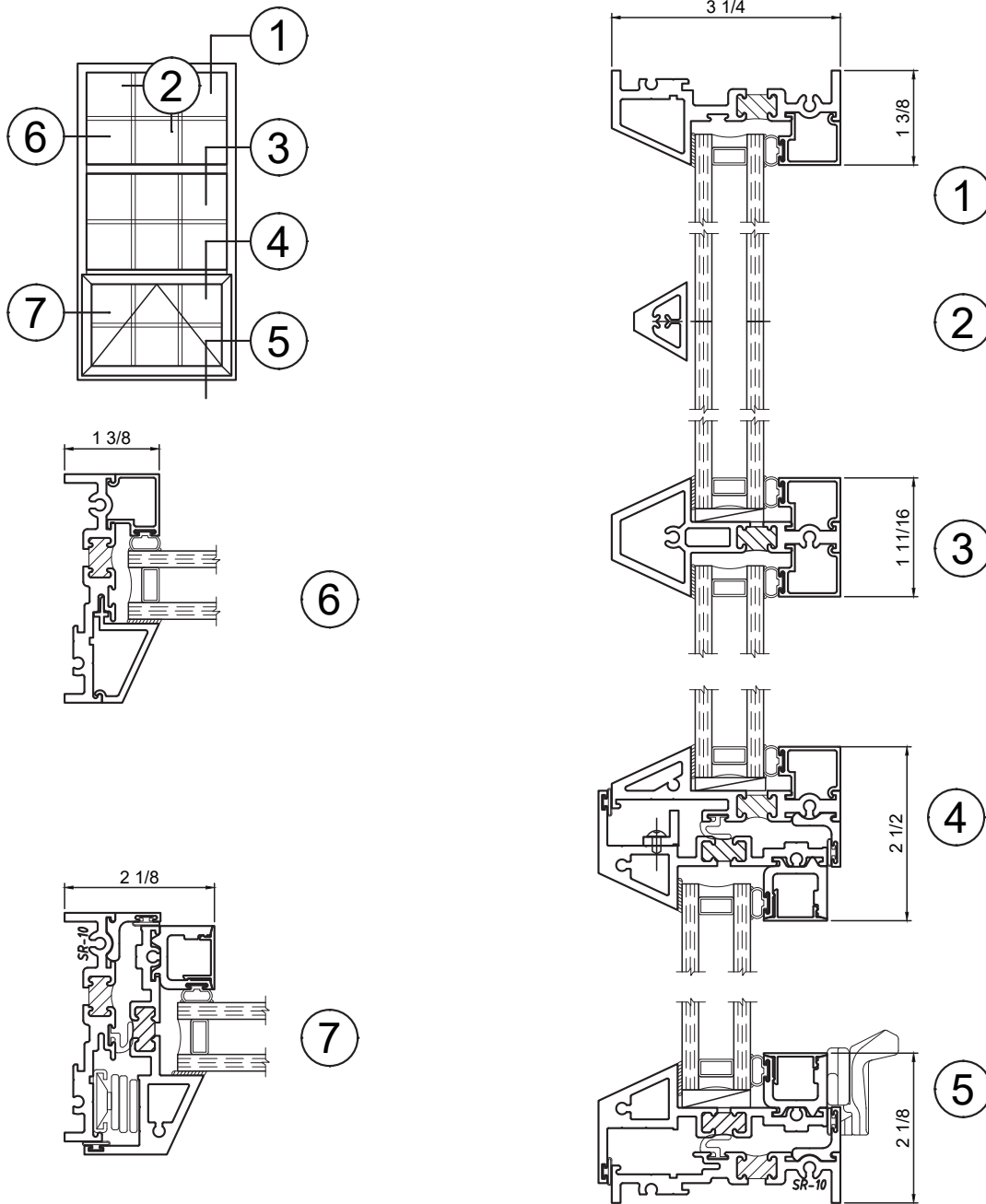
## Performance Data\*

Type	Air (CFM/FT2 @ 6.24 PSF)	Water (PSF)	Structural (PSF)	CRF	U-Value (Btu/Hr-Ft <sup>2</sup> -°F)	STC
Projected AW Grade AP-AW80	Less than 0.10	12 (Higher levels may be available upon request)	+/- 120	59*	0.36*	Contact your local Rep
Casement AW Grade C-AW80	Less than 0.10	12 (Higher levels may be available upon request)	+/- 120	59*	0.36*	

\*U-Value, CRF, Water and AW ratings are based on a particular type of glazing and window configuration being used. They are provided for comparison purposes only. They are based on products of standard configuration, tested in accordance with NFRC/FGIA/AAMA specifications, in a laboratory environment under optimum conditions. Performance values will vary according to project specifications, installation, size, configuration, hardware, glass, etc. Any required field testing should be done in accordance with the project specifications and FGIA/AAMA field testing protocol, not this data.



# Series 3250 Steel Replica Detail Drawings



Winco Window Company  
6200 Maple Avenue  
St Louis, MO 63130

TESTING: Our products meet stringent testing requirements of both the American Architectural Manufacturers Association (AAMA) and the National Fenestration Rating Council (NFRC) standards and certification.

VER:260422





# Series 3325CW Zero Sightline Curtain Wall

3-1/4" Architectural Grade Window System  
Projected - Casement



## Product Overview

The 3325CW zero sightline series is traditionally designed for curtainwall applications that offers strength, durability, and flexibility. The 3325CW series provides industry-leading performance in any installation.

Available prefabricated and pre-glazed, the 3325CW series is available in multiple configurations: vertical or horizontal rails allowing two vents in one frame, outswing casement, and projected out awning either with or without roto operator. It also includes a convenient 1" glazing pocket insert for installation into the curtain wall framing.

HISTORIC REPLICATION

ENERGY SAVINGS

NOISE CONTROL

GREEN COMMITMENT

## Features & Custom Options

- Azon "Azo-Brader" thermally broken frame backed by a 10 year warranty against thermal break shrinkage
- 1" glazing pocket insert for installation into the curtain wall
- A fully mitered overlap sash configuration has 1/8" wall thickness with fully sealed corners and dual weather-stripping
- Factory glazed with 1" glass and 3M VHB structural glazing tape
- 2" frame depth with a 1-1/4" proud vent for zero sightline glazing and 1/8" main frame wall thickness
- Wide variety of locking and operating hardware available
- Vertical or horizontal rail allowing two vents in one opening
- Optional blast glazed
- Optional aluminum extruded screens

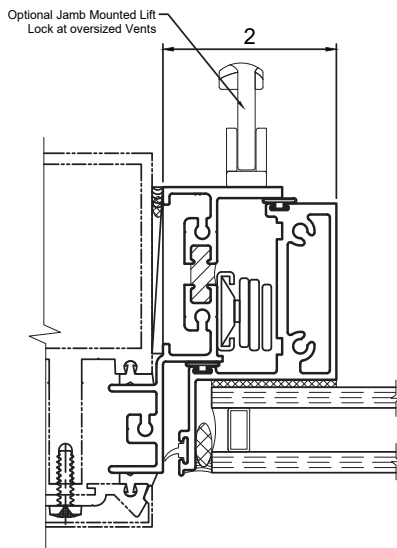
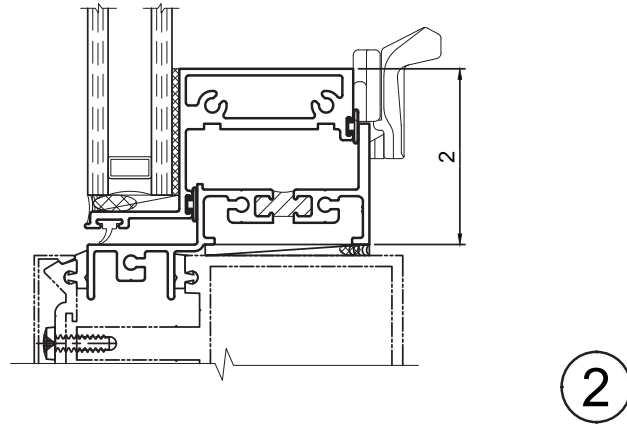
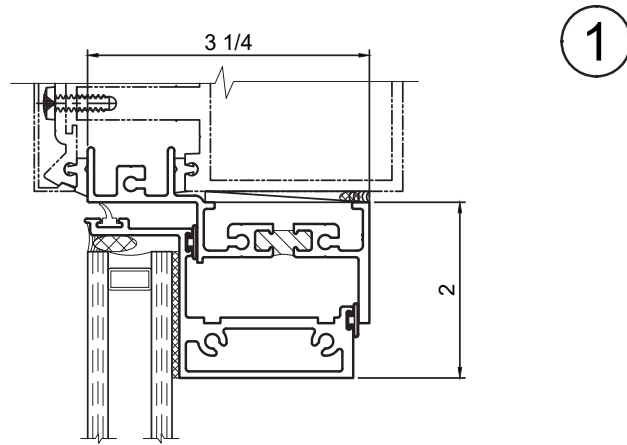
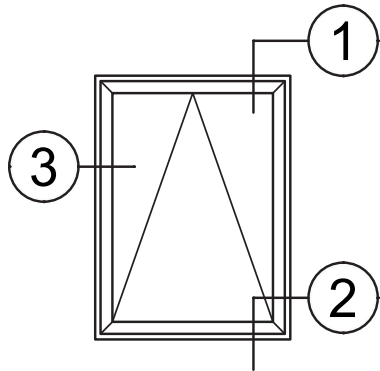
## Performance Data\*

Type	Air (CFM/FT <sup>2</sup> @ 6.24 PSF)	Water (PSF)	Structural (PSF)	CRF	U-Value (Btu/Hr-Ft <sup>2</sup> -°F)	STC
Projected AW Grade AP-AW80	Less than 0.10	12 (Higher levels may be available upon request)	+/- 120	63*	0.36*	Contact your local Rep
Casement AW Grade C-AW80	Less than 0.10	12 (Higher levels may be available upon request)	+/- 120	63*	0.36*	

\*U-Value, CRF, Water and AW ratings are based on a particular type of glazing and window configuration being used. They are provided for comparison purposes only. They are based on products of standard configuration, tested in accordance with NFRC/FGIA/AAMA specifications, in a laboratory environment under optimum conditions. Performance values will vary according to project specifications, installation, size, configuration, hardware, glass, etc. Any required field testing should be done in accordance with the project specifications and FGIA/AAMA field testing protocol, not this data.



# Series 3325CW Zero Sightline Detail Drawings



3



Winco Window Company  
6200 Maple Avenue  
St Louis, MO 63130

TESTING: Our products meet stringent testing requirements of both the American Architectural Manufacturers Association (AAMA) and the National Fenestration Rating Council (NFRC) standards and certification.

VER:200922





# Series 3325SF Zero Sightline Storefront

3-1/4" Architectural Grade Window System  
Projected - Casement



## Product Overview

The 3325SF zero sightline series is traditionally designed for storefront framed applications that offers strength, durability, and flexibility. The 3325 series is designed to allow occupants control of airflow and their overall environment.

Available prefabricated and pre-glazed, the 3325SF series is available in multiple configurations: vertical or horizontal rails allowing two vents in one frame, outswing casement, and projected out awning either with or without roto operator.

HISTORIC REPLICATION

ENERGY SAVINGS

NOISE CONTROL

GREEN COMMITMENT

## Features & Custom Options

- Azon "Azo-Brader" thermally broken frame backed by a 10 year warranty against thermal break shrinkage
- A fully mitered overlap sash configuration has 1/8" wall thickness with fully sealed corners and dual weather-stripping
- Factory glazed with 1" glass and 3M VHB structural glazing tape
- Wide variety of locking and operating hardware available
- Vertical or horizontal rail allowing two vents in one opening
- Optional aluminum extruded screens
- Optional blast glazed

## Performance Data\*

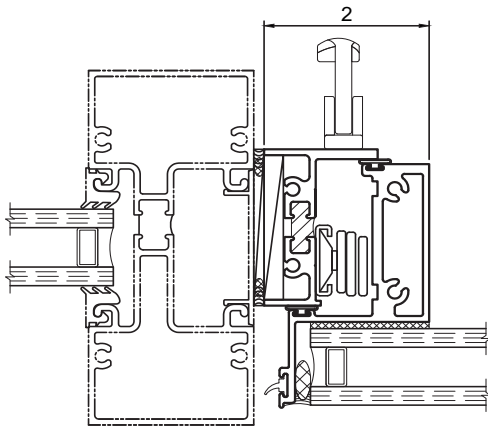
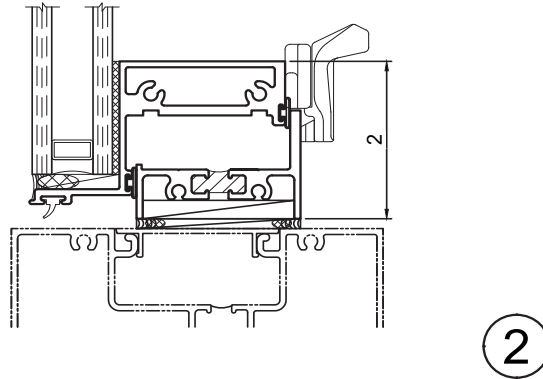
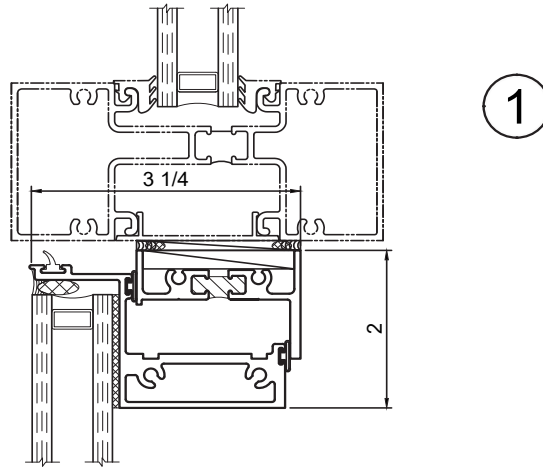
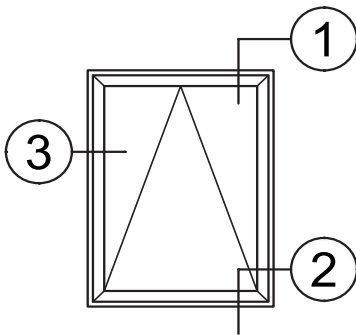
Type	Air (CFM/FT2 @ 6.24 PSF)	Water (PSF)	Structural (PSF)	CRF	U-Value (Btu/Hr-Ft <sup>2</sup> -°F)	STC
Projected AW Grade AP-AW80	Less than 0.10	12 (Higher levels may be available upon request)	+/- 120	63*	0.36*	Contact your local Rep
Casement AW Grade C-AW80	Less than 0.10	12 (Higher levels may be available upon request)	+/- 120	63*	0.36*	

\*U-Value, CRF, Water and AW ratings are based on a particular type of glazing and window configuration being used. They are provided for comparison purposes only. They are based on products of standard configuration, tested in accordance with NFRC/FGIA/AAMA specifications, in a laboratory environment under optimum conditions. Performance values will vary according to project specifications, installation, size, configuration, hardware, glass, etc. Any required field testing should be done in accordance with the project specifications and FGIA/AAMA field testing protocol, not this data.





# Series 3325SF Zero Sightline Detail Drawings



3



Winco Window Company  
6200 Maple Avenue  
St Louis, MO 63130

TESTING: Our products meet stringent testing requirements of both the American Architectural Manufacturers Association (AAMA) and the National Fenestration Rating Council (NFRC) standards and certification.

VER:200922





# Series 3350

3-1/2" Architectural Grade Thermal Window System  
Fixed - Projected - Casement



## Product Overview

The 3350 Series Window, with its 3-1/2" deep, 1/8" thick frame and flush vent, makes it a great choice for large window openings and multiple glazing options.

It has been successfully used in many schools, hospitals, blast and hurricane applications for both public and private projects. It is available in fixed, casement, and vent operations either in-swing or out-swing. The window can be manufactured into many configurations to meet your project-specific needs.

As with most Winco Window's between the glass Venetian blinds can be added for total vision control. Also available is a full line of trim and accessories that can take a standard window and turn it into a custom design.

GREEN COMMITMENT

HISTORIC REPLICATION

ENERGY SAVINGS

NOISE CONTROL

BLAST SHIELD

WIND PROTECTION

## Features & Custom Options

- Azon "Azo-Braided" thermally broken frame and sash, backed by a 10 year warranty against thermal break shrinkage
- Vertical and horizontal stacking members
- Various glazing thicknesses available
- Dual and triple glazing with optional integral blinds providing dynamic light control
- Wide variety of locking and operating hardware available
- Ability to make inside and outside glazed panels within the same mainframe
- Accessory line of receptors, mullions, panning and trim for a customized look
- Blast, ballistic and impact glazing available
- Optional aluminum extruded screens

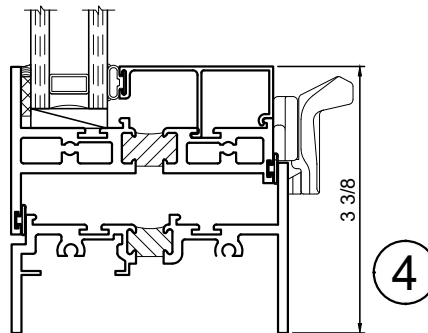
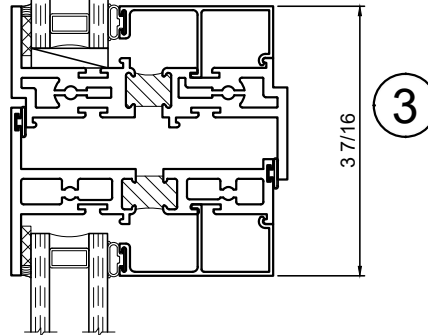
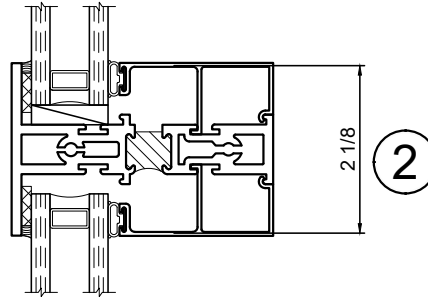
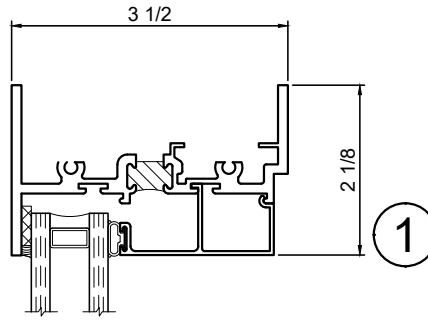
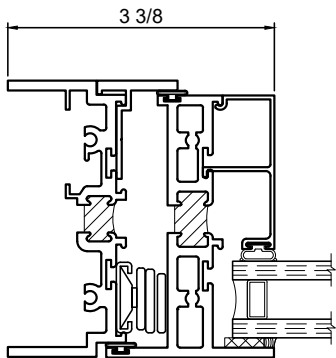
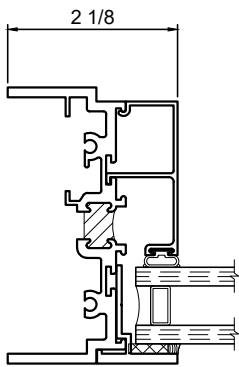
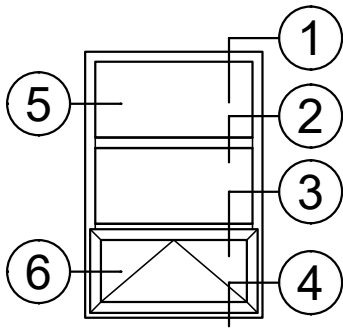
## Performance Data\*

Type	Air (CFM/FT2 @ 6.24 PSF)	Water (PSF)	Structural (PSF)	U-Value (Btu/Hr-Ft <sup>2</sup> -°F)	STC
Projected AW Grade AP-AW120	Less than 0.10	12 (Higher levels may be available upon request)	+/- 180	0.41*	Contact your local Rep
Casement AW Grade C-AW-120	Less than 0.10	12 (Higher levels may be available upon request)	+/- 180	0.41*	

\*U-Value, CRF, Water and AW ratings are based on a particular type of glazing and window configuration being used. They are provided for comparison purposes only. They are based on products of standard configuration, tested in accordance with NFRC/FGIA/AAMA specifications, in a laboratory environment under optimum conditions. Performance values will vary according to project specifications, installation, size, configuration, hardware, glass, etc. Any required field testing should be done in accordance with the project specifications and FGIA/AAMA field testing protocol, not this data.



# Series 3350 Detail Drawings



Winco Window Company  
6200 Maple Avenue  
St Louis, MO 63130

TESTING: Our products meet stringent testing requirements of both the American Architectural Manufacturers Association (AAMA) and the National Fenestration Rating Council (NFRC) standards and certification.

VER:110621





# Series 3410

4" Architectural Grade Window System  
Fixed - Sliding



## Product Overview

The 3410 Series has a 1/16" nominal wall thickness in the mainframe and sash. An 0.080" nominal stainless steel cover is available for the raised roller track and is up to the task that your project demands. It has been successfully used in many applications such as schools, hospitals, and condominiums in both public or private projects.

As with most Winco Windows between the glass Venetian blinds can be added for total vision control. Also available is a full line of trim and accessories that can take a standard window and turn it into a custom design solution.

GREEN COMMITMENT

HISTORIC REPLICATION

NOISE CONTROL

WIND PROTECTION

## Features & Custom Options

- Azon "Azo-Braided" thermally broken frame and sash, backed by a 10 year warranty against thermal break shrinkage
- Various glazing thicknesses available
- Accessory line of receptors, mullions, panning and trim for a customized look
- Dual glazing with optional integral blinds providing dynamic light control
- Blast, ballistic and impact glazing available
- Optional aluminum extruded screens
- Accompanying fixed frame options

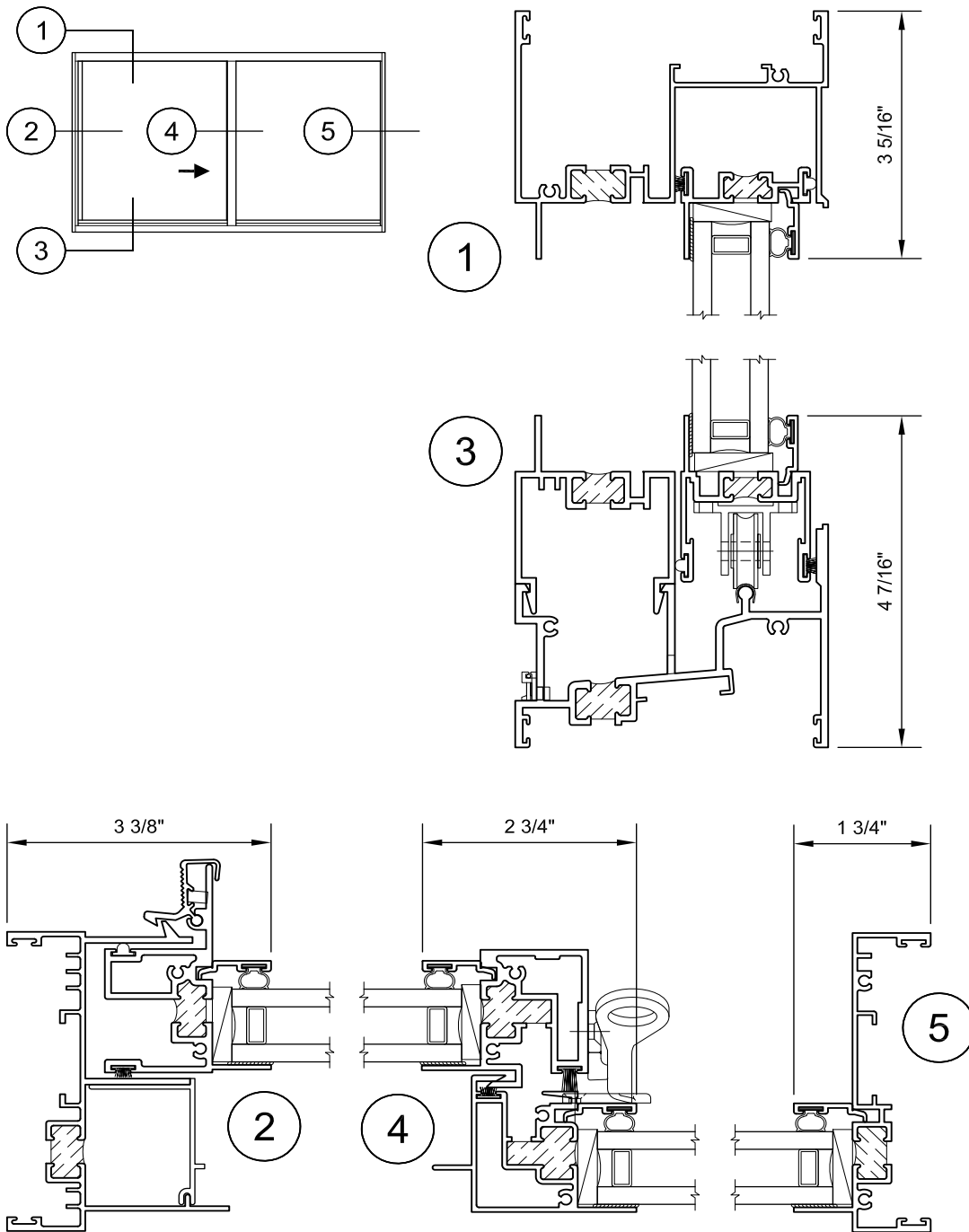
## Performance Data\*

Type	Air (CFM/FT2 @ 6.24 PSF)	Water (PSF)	Structural (PSF)	CRF	U-Value (Btu/Hr-Ft <sup>2</sup> -°F)	STC
Sliding AW Grade S-AW50	Less than 10	12 (Higher levels may be available upon request)	+/- 75	57*	0.34*	Contact your local Rep

\*U-Value, CRF, Water and AW ratings are based on a particular type of glazing and window configuration being used. They are provided for comparison purposes only. They are based on products of standard configuration, tested in accordance with NFRC/FGIA/AAMA specifications, in a laboratory environment under optimum conditions. Performance values will vary according to project specifications, installation, size, configuration, hardware, glass, etc. Any required field testing should be done in accordance with the project specifications and FGIA/AAMA field testing protocol, not this data.



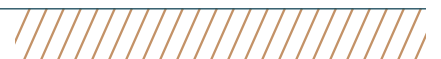
# Series 3410 Detail Drawings



Winco Window Company  
6200 Maple Avenue  
St Louis, MO 63130

TESTING: Our products meet stringent testing requirements of both the American Architectural Manufacturers Association (AAMA) and the National Fenestration Rating Council (NFRC) standards and certification.

VER:110621





# Series 3600

3-1/4" Architectural Grade Window System  
Fixed - Sliding



## Product Overview

The 3600 Series has been successfully used in many applications such as schools, hospitals and condominiums for both public and private developments. Because it provides years of low maintenance performance at a competitive price, the 3600 Slider is frequently specified for new construction projects.

GREEN COMMITMENT

HISTORIC REPLICATION

NOISE CONTROL

## Features & Custom Options

- Azon "Azo-Braided" thermally broken frame and sash, backed by a 10 year warranty against thermal break shrinkage
- Accessory line of receptors, mullions, panning and trim for a customized look
- Optional aluminum extruded screens
- Stainless steel roller track cover
- Accompanying fixed frame options include vertical and horizontal stacking members, allowing it to be used as unitized storefront
- Dual glazing with optional integral blinds providing dynamic light control

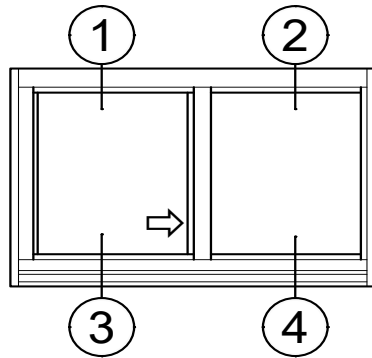
## Performance Data\*

Type	Air (CFM/FT2 @ 6.24 PSF)	Water (PSF)	Structural (PSF)	U-Value (Btu/Hr-Ft <sup>2</sup> -°F)	STC
Sliding AW Grade S-AW50	Less than 0.10	12 (Higher levels may be available upon request)	+/- 75	0.34*	Contact your local Rep

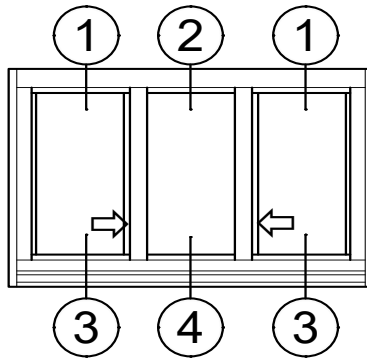
\*U-Value, CRF, Water and AW ratings are based on a particular type of glazing and window configuration being used. They are provided for comparison purposes only. They are based on products of standard configuration, tested in accordance with NFRC/FGIA/AAMA specifications, in a laboratory environment under optimum conditions. Performance values will vary according to project specifications, installation, size, configuration, hardware, glass, etc. Any required field testing should be done in accordance with the project specifications and FGIA/AAMA field testing protocol, not this data.



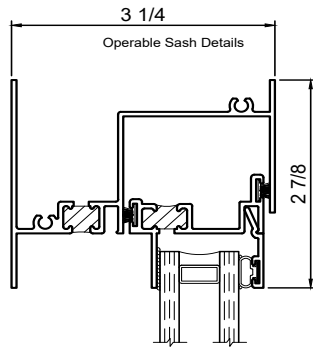
# Series 3600 Detail Drawings



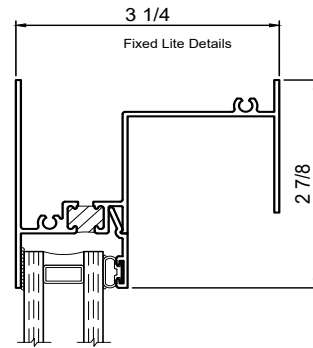
Xo Slider shown  
oX Opposite Hand



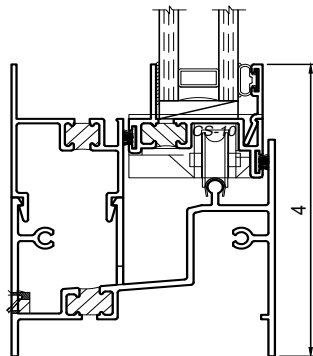
XoX Slider



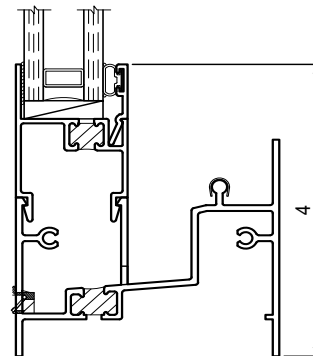
1



2



3



4



Winco Window Company  
6200 Maple Avenue  
St Louis, MO 63130

TESTING: Our products meet stringent testing requirements of both the American Architectural Manufacturers Association (AAMA) and the National Fenestration Rating Council (NFRC) standards and certification.

VER:110621





# Series 4410

4" Architectural Grade Window System  
Fixed - Single Hung



## Product Overview

The 4410 Series is a fixed and single hung window that will provide years of low maintenance performance. With 0.080" nominal wall thickness throughout the mainframe and sash and a 3/32" thick aluminum sill, the 4410 is up to the task that your project demands. The large window sash is no problem and will lift easily when using our class 5 balance system.

GREEN COMMITMENT

HISTORIC REPLICATION

NOISE CONTROL

BLAST SHIELD

WIND PROTECTION

## Features & Custom Options

- Azon "Azo-Brader" thermally broken frame and sash, backed by a 10 year warranty against thermal break shrinkage
- Vertical and horizontal stacking members
- Integral lift handle on operable sash
- 4 sided fin seal weather-strip on the exterior
- Various glazing thicknesses available
- Dual glazing with optional integral blinds providing dynamic light control
- Accessory line of receptors, mullions, panning and trim for a customized look
- Blast, ballistic and impact glazing available
- Optional aluminum extruded screens
- Accompanying fixed frame options

## Performance Data\*

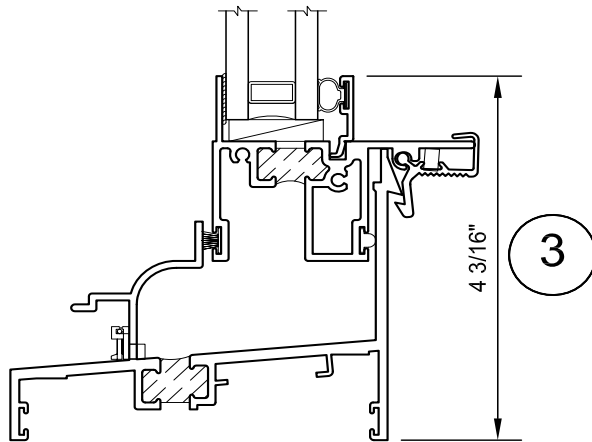
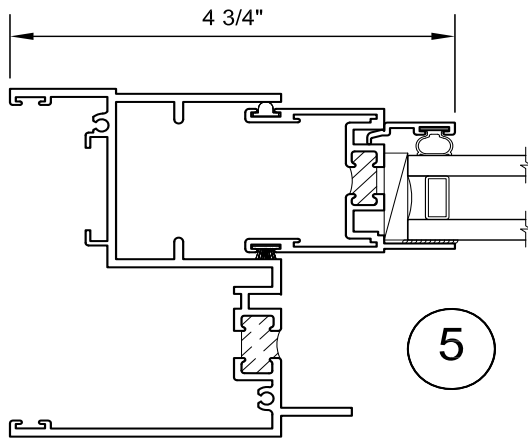
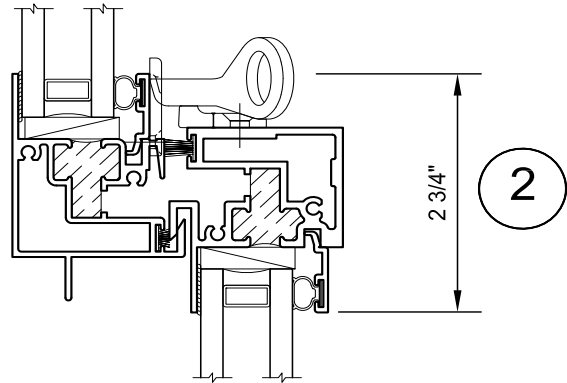
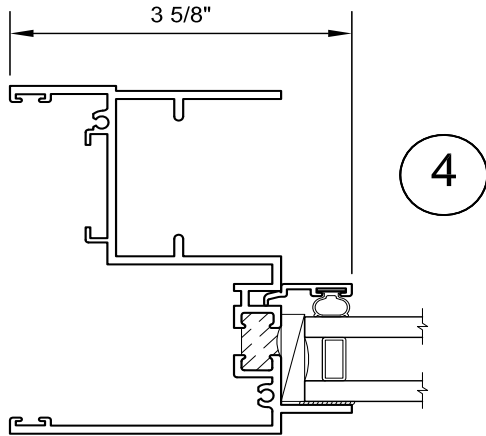
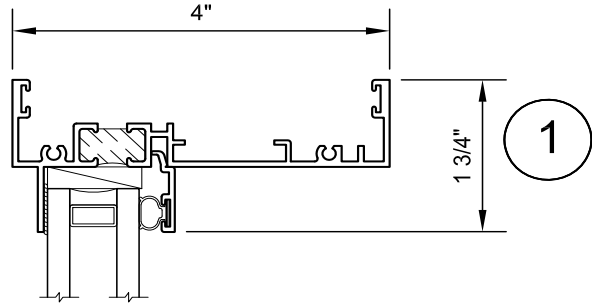
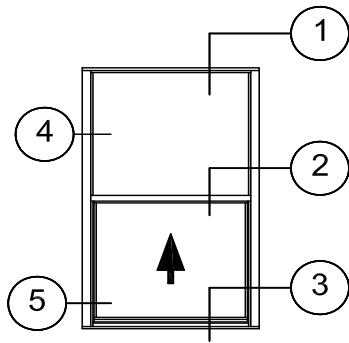
Type	Air (CFM/FT2 @ 6.24 PSF)	Water (PSF)	Structural (PSF)	CRF	U-Value (Btu/Hr-Ft <sup>2</sup> -°F)	STC
AW-PG65-Hung	Less than 0.10	10 (Higher levels may be available upon request)	+/- 97.5	52*	0.41*	Contact your local Rep

\*U-Value, CRF, Water and AW ratings are based on a particular type of glazing and window configuration being used. They are provided for comparison purposes only. They are based on products of standard configuration, tested in accordance with NFRC/FGIA/AAMA specifications, in a laboratory environment under optimum conditions. Performance values will vary according to project specifications, installation, size, configuration, hardware, glass, etc. Any required field testing should be done in accordance with the project specifications and FGIA/AAMA field testing protocol, not this data.





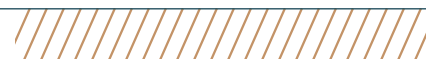
# Series 4410 Detail Drawings



Winco Window Company  
6200 Maple Avenue  
St Louis, MO 63130

TESTING: Our products meet stringent testing requirements of both the American Architectural Manufacturers Association (AAMA) and the National Fenestration Rating Council (NFRC) standards and certification.

VER:210422





# Series 4410S

4" Architectural Grade Window System  
Fixed - Single Hung



## Product Overview

The 4410S Series is a fixed and single hung window that has an integral sloped exterior glazing leg that gives it a historical look. No longer do you have to settle for the leaky drop-in beveled grid of the past, the extruded beveled glazing leg provides the clean appearance and weather-tight construction your project deserves.

GREEN COMMITMENT

HISTORIC REPLICATION

NOISE CONTROL

BLAST SHIELD

WIND PROTECTION

## Features & Custom Options

- Azon "Azo-Brader" thermally broken frame and sash, backed by a 10 year warranty against thermal break shrinkage
- Integral extruded beveled glazing leg
- 4 sided fin seal weather-strip exterior all 4 sides
- Various glazing thicknesses
- Dual glazing with optional integral blinds providing dynamic light control
- Blast, ballistic and impact glazing available
- Accessory line of receptors, mullions, panning and trim for a customized look
- Optional aluminum extruded screens
- Accompanying fixed frame options

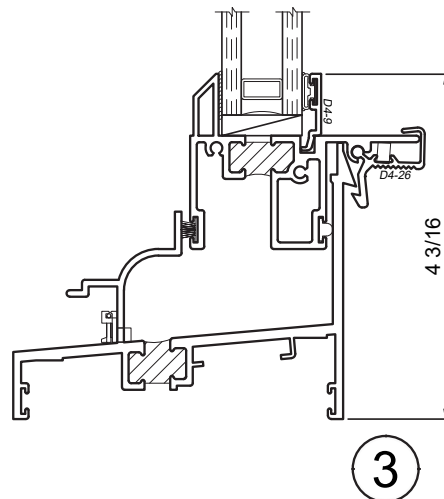
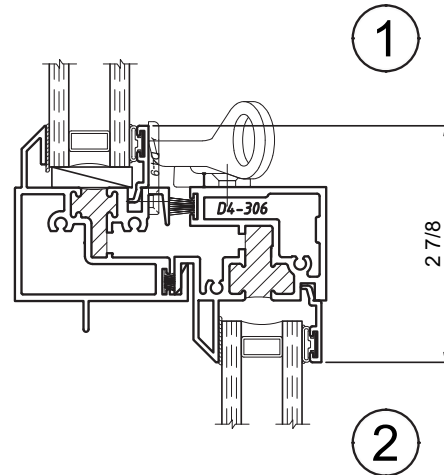
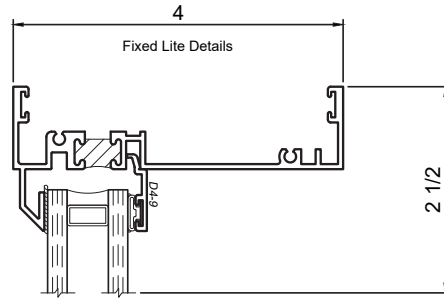
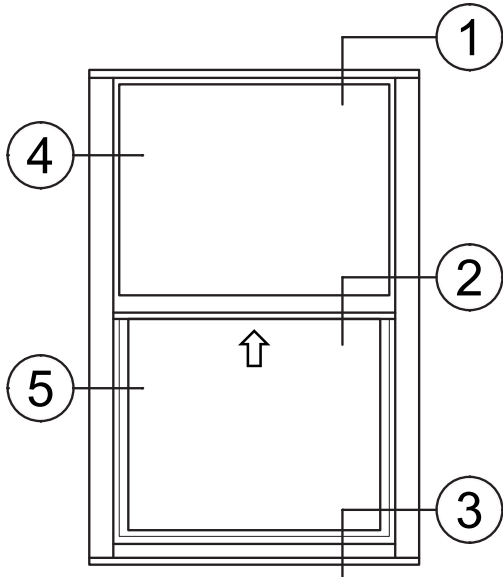
## Performance Data\*

Type	Air (CFM/FT2 @ 6.24 PSF)	Water (PSF)	Structural (PSF)	CRF	U-Value (Btu/Hr-Ft <sup>2</sup> -°F)	STC
AW-PG65-Hung	Less than 0.10	12 (Higher levels may be available upon request)	+/- 97.5	52*	0.41*	Contact your local Rep

\*U-Value, CRF, Water and AW ratings are based on a particular type of glazing and window configuration being used. They are provided for comparison purposes only. They are based on products of standard configuration, tested in accordance with NFRC/FGIA/AAMA specifications, in a laboratory environment under optimum conditions. Performance values will vary according to project specifications, installation, size, configuration, hardware, glass, etc. Any required field testing should be done in accordance with the project specifications and FGIA/AAMA field testing protocol, not this data.



# Series 4410S Detail Drawings



Winco Window Company  
6200 Maple Avenue  
St Louis, MO 63130

TESTING: Our products meet stringent testing requirements of both the American Architectural Manufacturers Association (AAMA) and the National Fenestration Rating Council (NFRC) standards and certification.

VER:210422





# Series 4500

4" Architectural Grade Thermal Window System  
Fixed-Double Hung



## Product Overview

The 4500 Series is a fixed and double-hung window that has been designed to provide years of low maintenance performance. With 0.080" nominal wall thickness throughout the mainframe and sash and a 1/8" thick aluminum sill, the 4500 is up to the task that monumental window designs require.

GREEN COMMITMENT

HISTORIC REPLICATION

NOISE CONTROL

BLAST SHIELD

## Features & Custom Options

- Azon "Azo-Brader" thermally broken frame and sash, backed by a 10 year warranty against thermal break shrinkage
- Vertical and horizontal stacking members
- Integral lift handle on operable sash
- 4 sided fin seal weather-strip on the exterior
- Various glazing thicknesses available
- Dual glazing with optional integral blinds providing dynamic light control
- Accessory line of receptors, mullions, panning and trim for a customized look
- Laminated glass, blast mitigation and ballistic glazing are available
- Optional aluminum extruded screens
- Accompanying fixed frame options

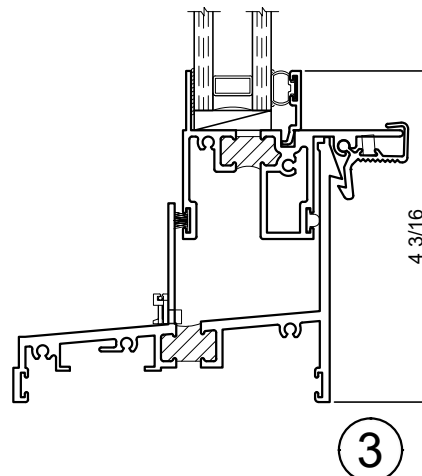
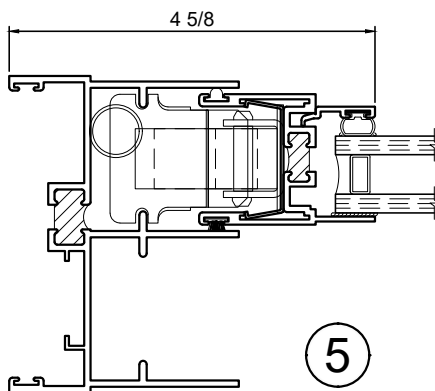
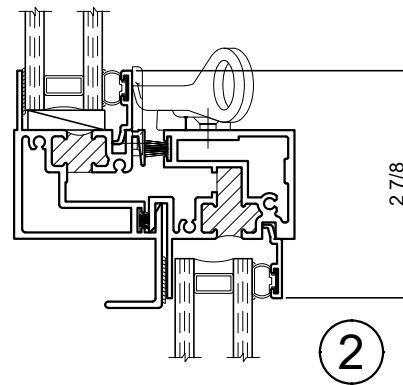
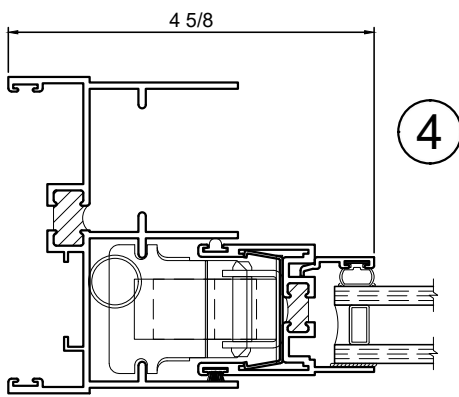
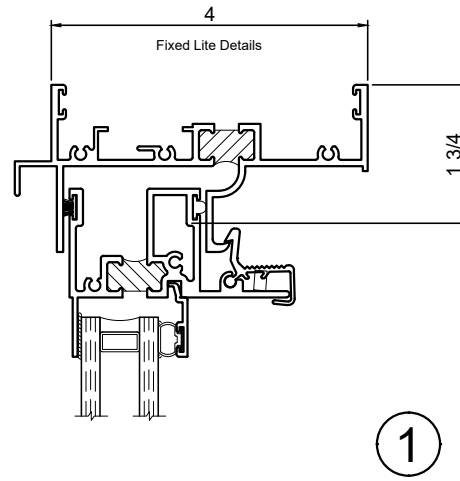
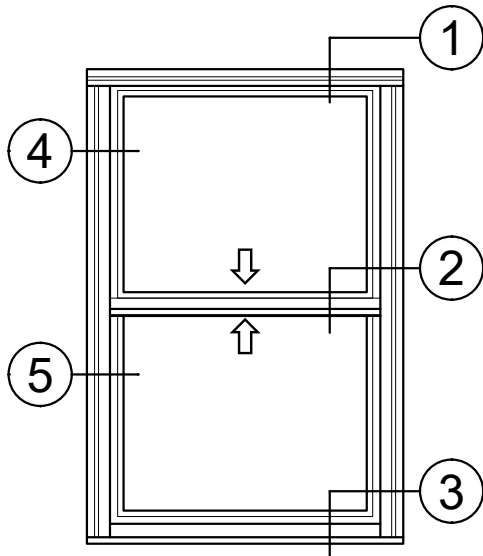
## Performance Data\*

Type	Air (CFM/FT2 @ 6.24 PSF)	Water (PSF)	Structural (PSF)	CRF	U-Value (Btu/Hr-Ft <sup>2</sup> -°F)	STC
AW-PG60-Hung	Less than 0.10	10 (Higher levels may be available upon request)	+/- 90	58*	0.42*	Contact your local Rep

\*U-Value, CRF, Water and AW ratings are based on a particular type of glazing and window configuration being used. They are provided for comparison purposes only. They are based on products of standard configuration, tested in accordance with NFRC/FGIA/AAMA specifications, in a laboratory environment under optimum conditions. Performance values will vary according to project specifications, installation, size, configuration, hardware, glass, etc. Any required field testing should be done in accordance with the project specifications and FGIA/AAMA field testing protocol, not this data.



# Series 4500 Detail Drawings



Winco Window Company  
6200 Maple Avenue  
St Louis, MO 63130

TESTING: Our products meet stringent testing requirements of both the American Architectural Manufacturers Association (AAMA) and the National Fenestration Rating Council (NFRC) standards and certification.

VER:130722





# Series 4500S

4" Architectural Grade Thermal Window System  
Fixed - Double Hung



## Product Overview

The 4500S Series is a fixed and double-hung window that has been designed to provide years of low maintenance performance. With 0.080" nominal wall thickness throughout the mainframe and sash and a 1/8" thick aluminum sill, the 4500S is up to the task that monumental window designs require.

GREEN COMMITMENT

HISTORIC REPLICATION

NOISE CONTROL

BLAST SHIELD

## Features & Custom Options

- Azon "Azo-Brader" thermally broken frame and sash, backed by a 10 year warranty against thermal break shrinkage
- Integral extruded beveled glazing leg
- Vertical and horizontal stacking members
- Integral lift handle on operable sash
- 4 sided fin seal weather-strip on the exterior
- Various glazing thicknesses available
- Dual glazing with optional integral blinds providing dynamic light control
- Accessory line of receptors, mullions, panning and trim for a customized look
- Laminated glass, blast mitigation and ballistic glazing are available
- Optional aluminum extruded screens
- Accompanying fixed frame options

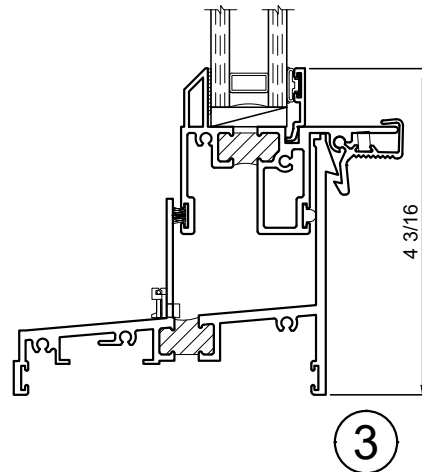
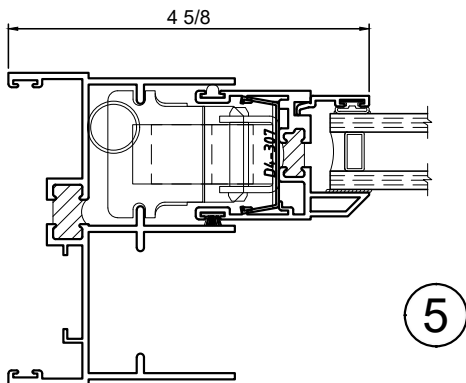
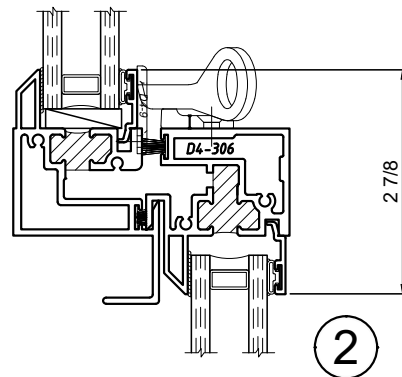
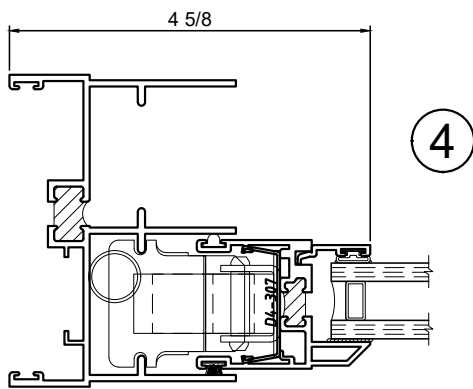
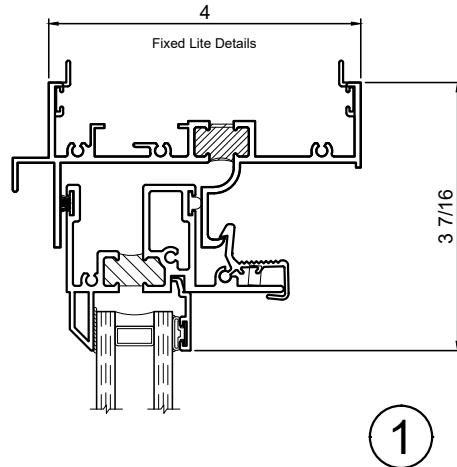
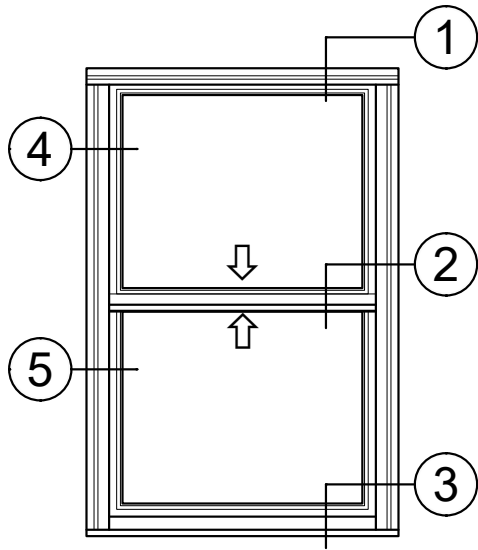
## Performance Data\*

Type	Air (CFM/FT2 @ 6.24 PSF)	Water (PSF)	Structural (PSF)	CRF	U-Value (Btu/Hr-Ft <sup>2</sup> -°F)	STC
AW-PG60-Hung	Less than 0.10	10 (Higher levels may be available upon request)	+/- 90	58*	0.42*	Contact your local Rep

\*U-Value, CRF, Water and AW ratings are based on a particular type of glazing and window configuration being used. They are provided for comparison purposes only. They are based on products of standard configuration, tested in accordance with NFRC/FGIA/AAMA specifications, in a laboratory environment under optimum conditions. Performance values will vary according to project specifications, installation, size, configuration, hardware, glass, etc. Any required field testing should be done in accordance with the project specifications and FGIA/AAMA field testing protocol, not this data.



# Series 4500S Detail Drawings



Winco Window Company  
6200 Maple Avenue  
St Louis, MO 63130

TESTING: Our products meet stringent testing requirements of both the American Architectural Manufacturers Association (AAMA) and the National Fenestration Rating Council (NFRC) standards and certification.

VER:130722





# Series 8325F

3-1/4" Architectural Grade Thermal Window System  
Fixed - Projected - Casement



## Product Overview

All framing members of the Winco Strut windows are thermally broken with two glass reinforced polyamide struts that stitch the two aluminum extrusions together. Because the strut materials have a low thermal transfer property, they can achieve high performing U-values that easily meet strict building codes and LEED requirements while providing a contemporary aesthetic.

GREEN COMMITMENT

ENERGY SAVINGS

NOISE CONTROL

WIND PROTECTION

## Features & Custom Options

- Vertical and horizontal stacking members
- Fully mitered overlap sash configuration with fully sealed corners and dual weather-stripping
- Various glazing thicknesses available
- Optional aluminum extruded screens
- Dual glazing with optional integral blinds providing dynamic light control
- Wide variety of locking and operating hardware available including euro groove style hardware
- Accessory line of receptors, mullions, panning and trim for a customized look

## Performance Data\*

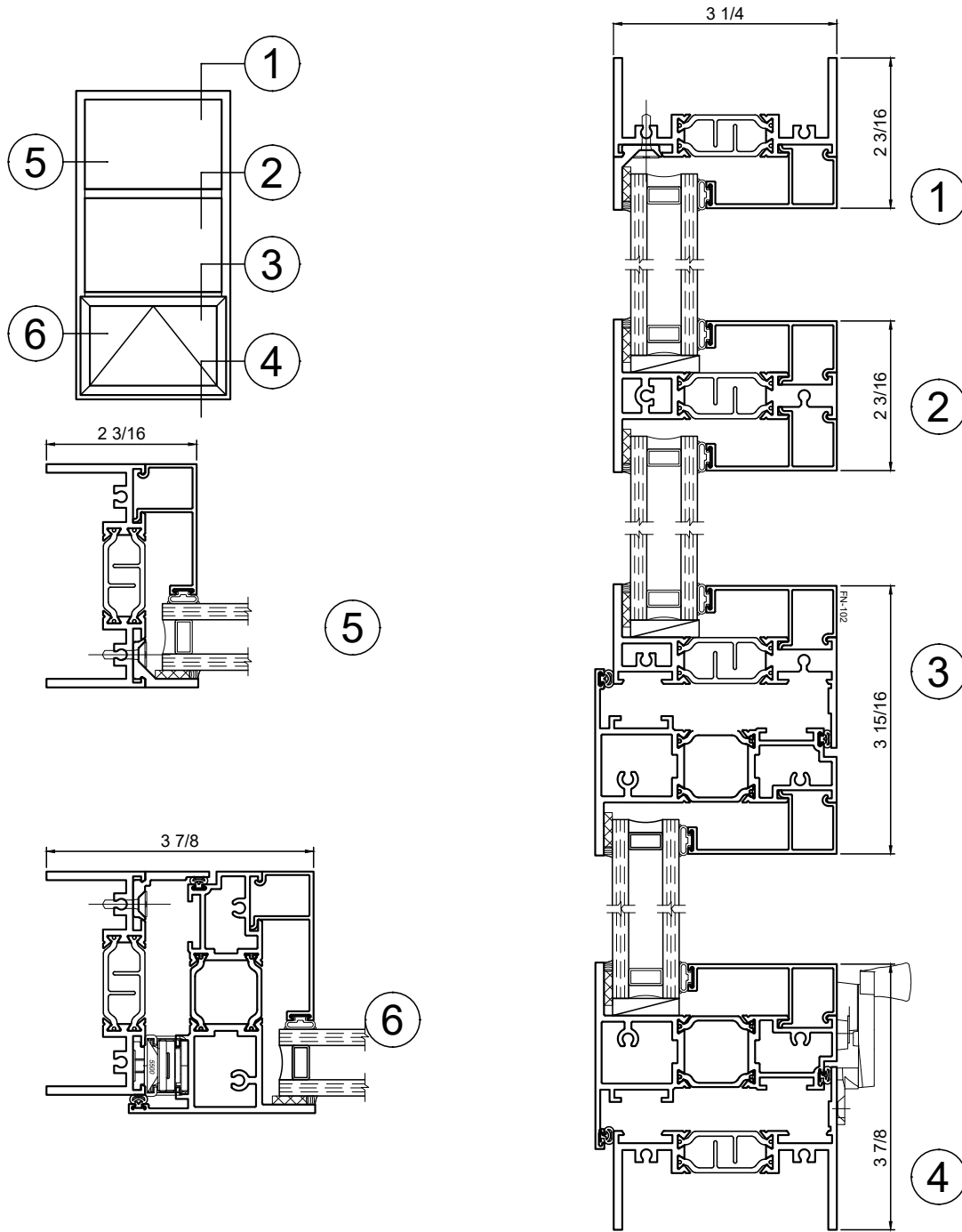
Type	Air (CFM/FT2 @ 6.24 PSF)	Water (PSF)	Structural (PSF)	CRF	U-Value (Btu/Hr-Ft <sup>2</sup> -°F)	STC
Projected AW Grade AP-AW120	Less than 0.10	12 (Higher levels may be available upon request)	+/- 120	68*	0.41*	Contact your local Rep
Casement AW Grade C-AW80	Less than 0.10	12 (Higher levels may be available upon request)	+/- 150	68*	0.41*	
Fixed AW Grade AW-120	Less than 0.10	12 (Higher levels may be available upon request)	+/- 120	75*	0.30*	

\*U-Value, CRF, Water and AW ratings are based on a particular type of glazing and window configuration being used. They are provided for comparison purposes only. They are based on products of standard configuration, tested in accordance with NFRC/FGIA/AAMA specifications, in a laboratory environment under optimum conditions. Performance values will vary according to project specifications, installation, size, configuration, hardware, glass, etc. Any required field testing should be done in accordance with the project specifications and FGIA/AAMA field testing protocol, not this data.





# Series 8325F Detail Drawings



Winco Window Company  
6200 Maple Avenue  
St Louis, MO 63130

TESTING: Our products meet stringent testing requirements of both the American Architectural Manufacturers Association (AAMA) and the National Fenestration Rating Council (NFRC) standards and certification.

VER:110621





# Series 8325S

3-1/4" Architectural Grade Thermal Window System  
Fixed - Projected - Casement



## Product Overview

All framing members of the Winco Strut windows are thermally broken with two glass reinforced polyamide struts that stitch the two aluminum extrusions together. Because the strut materials have a low thermal transfer property, they can achieve high performing U-values that easily meet strict building codes and LEED requirements.

GREEN COMMITMENT

HISTORIC REPLICATION

ENERGY SAVINGS

NOISE CONTROL

## Features & Custom Options

- Integral extruded beveled glazing leg
- Vertical and horizontal stacking members
- Fully mitered overlap sash configuration with fully sealed corners and dual weather-stripping
- Various glazing thicknesses available
- Dual glazing with optional integral blinds providing dynamic light control
- Wide variety of locking and operating hardware available
- Accessory line of receptors, mullions, panning and trim for a customized look
- Optional aluminum extruded screens

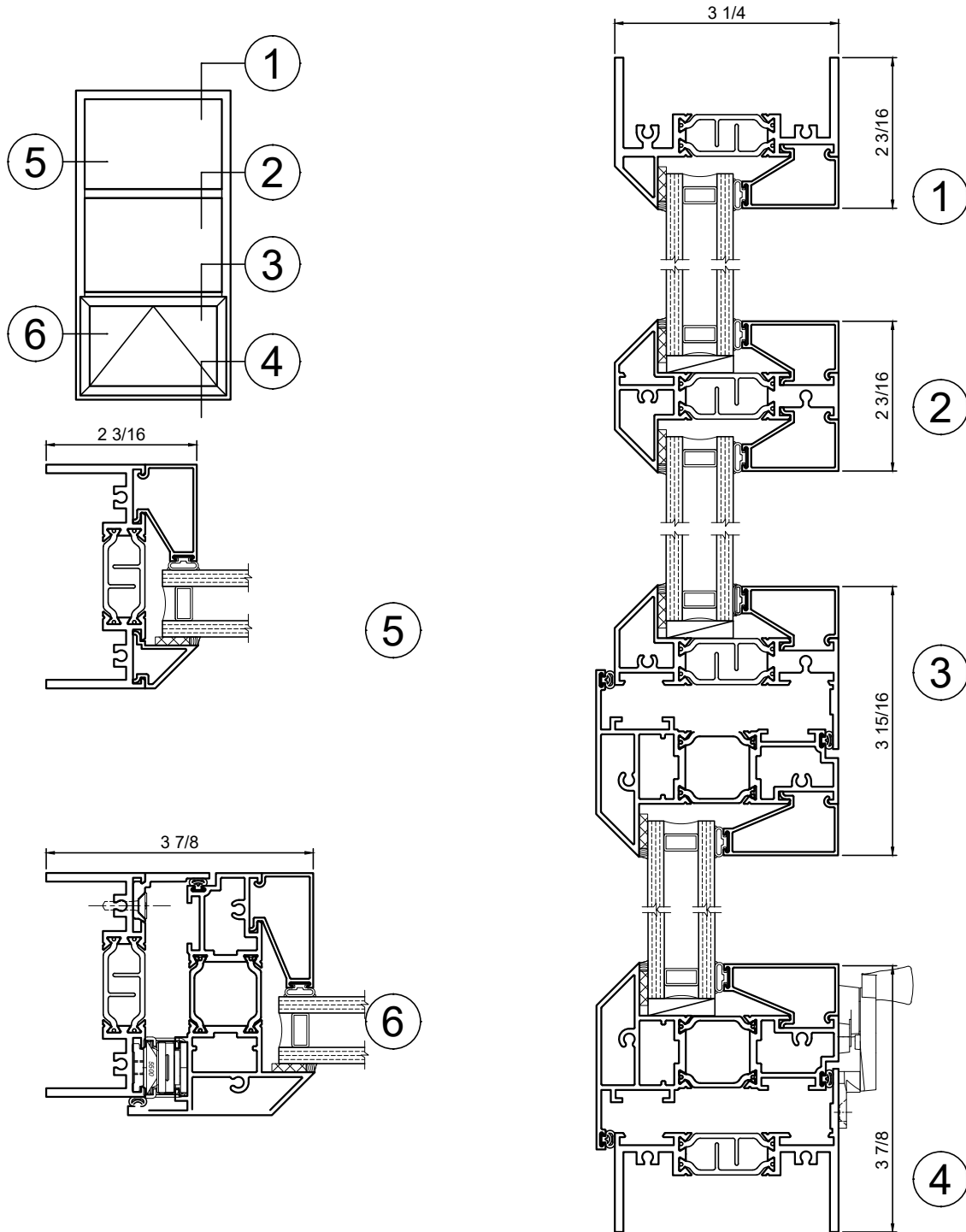
## Performance Data\*

Type	Air (CFM/FT2 @ 6.24 PSF)	Water (PSF)	Structural (PSF)	U-Value (Btu/Hr-Ft <sup>2</sup> -°F)	STC
Projected AW Grade AP-AW120	Less than 0.10	12 (Higher levels may be available upon request)	+/- 180	0.39*	Contact your local Rep
Casement AW Grade C-AW80	Less than 0.10	12 (Higher levels may be available upon request)	+/- 120	0.39*	

\*U-Value, CRF, Water and AW ratings are based on a particular type of glazing and window configuration being used. They are provided for comparison purposes only. They are based on products of standard configuration, tested in accordance with NFRC/FGIA/AAMA specifications, in a laboratory environment under optimum conditions. Performance values will vary according to project specifications, installation, size, configuration, hardware, glass, etc. Any required field testing should be done in accordance with the project specifications and FGIA/AAMA field testing protocol, not this data.



# Series 8325S Detail Drawings



Winco Window Company  
6200 Maple Avenue  
St Louis, MO 63130

TESTING: Our products meet stringent testing requirements of both the American Architectural Manufacturers Association (AAMA) and the National Fenestration Rating Council (NFRC) standards and certification.

VER:110621





# Series 8800 Behavioral Care Window

4" Architectural Grade Thermal Window System  
Fixed



## Product Overview

Winco's Series 8800 behavioral care window system combines energy efficiency with safety features to protect patients. Our series 8800 has a thermally broken mainframe that will meet all your performance criteria.

The 8800 is a 4" deep frame with a nominal wall thickness of 0.125". The human impact sash is a hinged configuration with concealed stainless steel hinges and multi point locks.

GREEN COMMITMENT

ENERGY SAVINGS

NOISE CONTROL

HUMAN IMPACT RESISTANT

## Features & Custom Options

- Fixed window is tested to withstand multiple 2000 ft-lb impacts
- Dual and triple glazing with optional integral blinds providing dynamic light control
- Special security system for behavioral health applications
- 1/8" wall thickness in frame members
- Concealed hinges with supplemental reinforcement
- Dual strut thermal break
- Supplemental lock hole covers with tamper proof screws
- Impact resistant interior polycarbonate or laminated glass
- Integral 5/8" or 1" venetian blinds
- Supplemental GEM security lock
- Dual finish available
- Exterior tinted or laminated glass for additional privacy

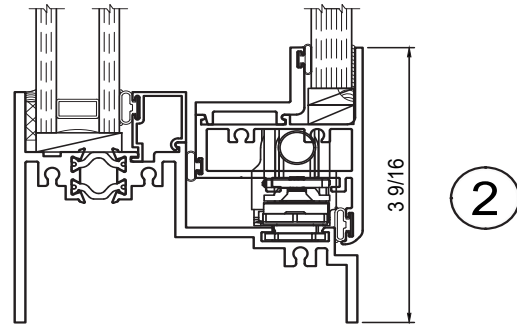
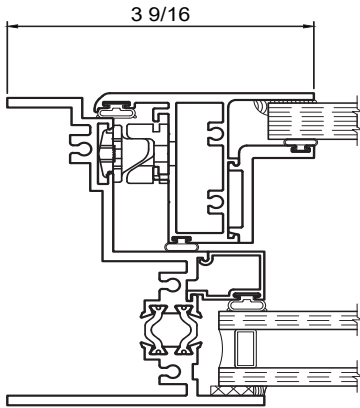
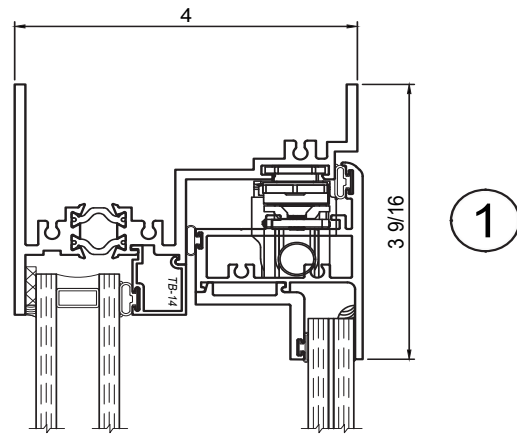
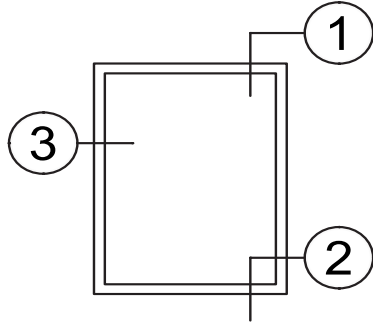
## Performance Data\*

Type	Air (CFM/FT2 @ 6.24 PSF)	Water (PSF)	Structural (PSF)	CRF	U-Value (Btu/Hr-Ft <sup>2</sup> -°F)	STC
Fixed - AW Grade AP-AW100	Less than 0.10	12 (Higher levels may be available upon request)	+/- 150	67*	0.25*	Contact your local Rep

\*U-Value, CRF, Water and AW ratings are based on a particular type of glazing and window configuration being used. They are provided for comparison purposes only. They are based on products of standard configuration, tested in accordance with NFRC/FGIA/AAMA specifications, in a laboratory environment under optimum conditions. Performance values will vary according to project specifications, installation, size, configuration, hardware, glass, etc. Any required field testing should be done in accordance with the project specifications and FGIA/AAMA field testing protocol, not this data.



# Series 8800 Detail Drawings



Winco Window Company  
6200 Maple Avenue  
St Louis, MO 63130

TESTING: Our products meet stringent testing requirements of both the American Architectural Manufacturers Association (AAMA) and the National Fenestration Rating Council (NFRC) standards and certification.

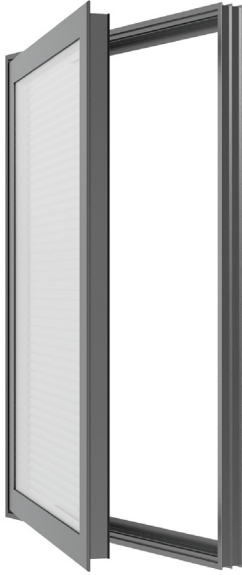
VER:310323





# Series 8800 Retrofit Behavioral Care Window

2" Human Impact Access Panel  
Fixed/Retrofit



## Product Overview

Winco's 8800 retrofit behavioral care insert is designed with a 1/8" nominal wall thickness for a security glazing infill behind existing windows. Available with human impact ratings of 2,000 ft. lbs.

The combination of energy efficiency with life safety features to protect patients makes this window an ideal solution to your behavioral healthcare projects.

GREEN COMMITMENT

ENERGY SAVINGS

NOISE CONTROL

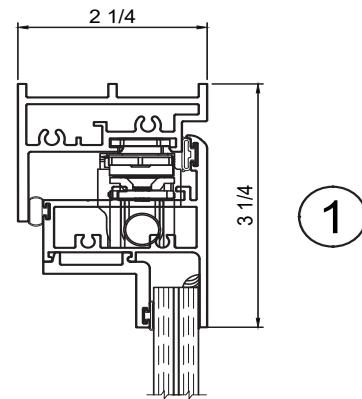
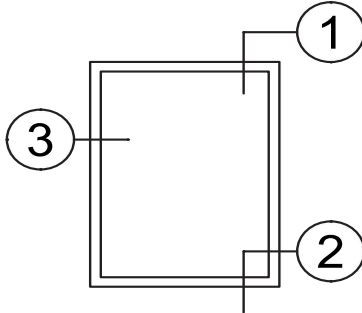
HUMAN IMPACT RESISTANT

## Features & Custom Options

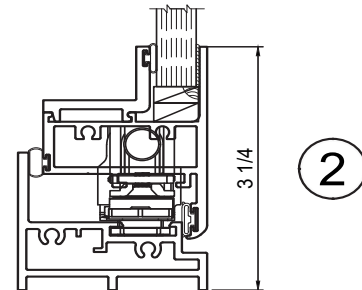
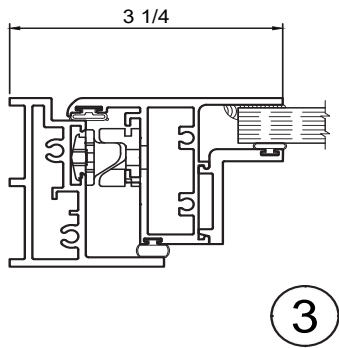
- Fixed window is tested to withstand multiple 2000 ft-lb impacts
- Special security system for behavioral health applications
- 1/8" wall thickness in frame members
- Concealed hinges with supplemental reinforcement
- Supplemental lock hole covers with tamper-proof screws
- Impact resistant interior polycarbonate or laminated glass that resists breaking and creates a safer patient environment
- Minimal framing to fit within new or existing openings
- Improves air infiltration, thermal and acoustical performance
- Integral 5/8" or 1" venetian blinds that offer daylight control and patient privacy
- Supplemental GEM security lock
- Blinds are sealed between glass to protect from germs and debris



# Series 8800 Retrofit Detail Drawings



**Note:**  
The primary (exterior) glazing remains undisturbed by the addition of the 8800 Retro-Fit Impact Sash. It can be accessed for maintenance, but not be used for ventilation.  
Sealing against intrusion of Air or Water from the building's exterior must be addressed in the primary (exterior) glazing system.



Winco Window Company  
6200 Maple Avenue  
St Louis, MO 63130

TESTING: Our products meet stringent testing requirements of both the American Architectural Manufacturers Association (AAMA) and the National Fenestration Rating Council (NFRC) standards and certification.

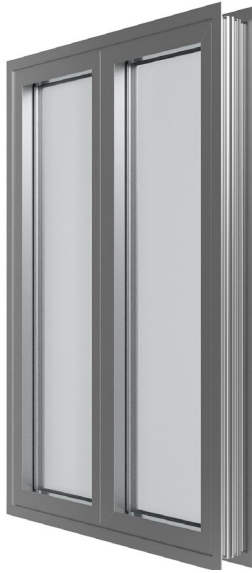
VER:310323





# FEMA 361 / ICC 500 Application

## 3-1/2" Thermal Fixed Window System



### Product Overview

WINCO Window offers tornado and hurricane rated windows that meet the standards for FEMA P-361, the Federal Emergency Management Agency’s third edition of Safe Rooms for Tornadoes and Hurricanes.

These windows are designed to withstand 250mph winds with flying debris impact testing of a 15-pound 2x4 traveling at 100mph. Many schools, hospital emergency rooms, police/fire headquarters and other public buildings are opting to include a safe room in their design. Since these rooms must also serve as workable space year round, windows are an important element.

GREEN COMMITMENT

ENERGY SAVINGS

NOISE CONTROL

BLAST SHIELD

WIND PROTECTION

## Features & Custom Options

- Azon “Azo-Braided” thermally broken frame and sash, backed by a 10 year warranty against thermal break shrinkage
- AAMA Gold Level Certification — Water and air tested to over AW-80 and 250mph
- Designed for high thermal efficiency
- Meets FEMA P-361, ICC-500, and ASTM 1886/E1996 Levels D & E requirements for safe rooms and community shelters
- Florida Product Approval #24436 for Hurricane and Tornado Usage

### Performance Data\*

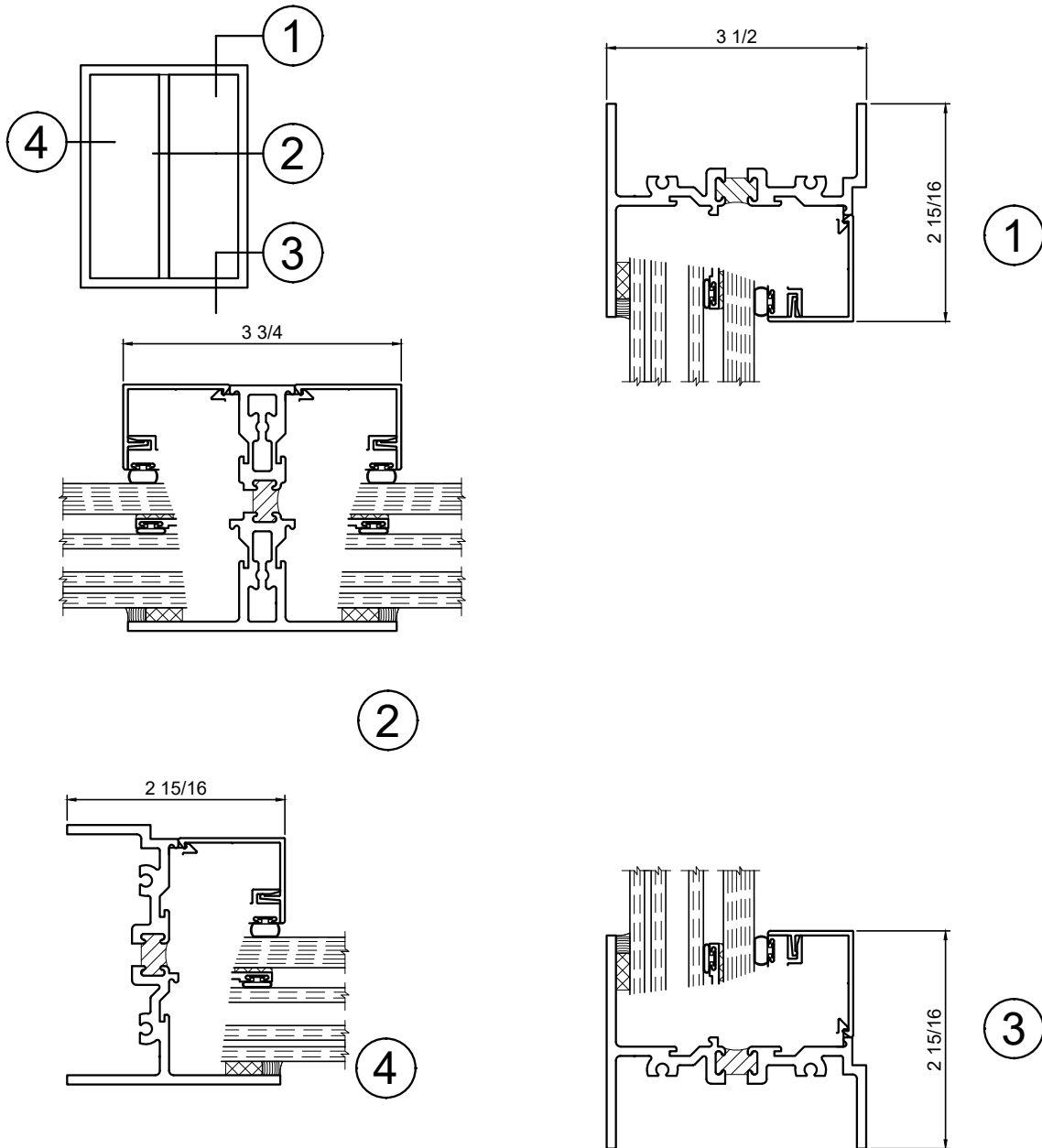
Type	Air (CFM/FT <sup>2</sup> @ 6.24 PSF)	Water (PSF)	Structural (PSF)	CRF	U-Value (Btu/Hr-Ft <sup>2</sup> -°F)	STC
Fixed AW Grade AP-AW100	Less than 0.10	12 (Higher levels may be available upon request)	+/- 300	63*	0.30*	Contact your local Rep

\*U-Value, CRF, Water and AW ratings are based on a particular type of glazing and window configuration being used. They are provided for comparison purposes only. They are based on products of standard configuration, tested in accordance with NFRC/FGIA/AAMA specifications, in a laboratory environment under optimum conditions. Performance values will vary according to project specifications, installation, size, configuration, hardware, glass, etc. Any required field testing should be done in accordance with the project specifications and FGIA/AAMA field testing protocol, not this data.





# FEMA 361 / ICC 500 Application



Winco Window Company  
6200 Maple Avenue  
St Louis, MO 63130

TESTING: Our products meet stringent testing requirements of both the American Architectural Manufacturers Association (AAMA) and the National Fenestration Rating Council (NFRC) standards and certification.

VER:110621





# Series NC-82 Terrace Door

3-1/4" Deep Frame Depth / NC-82 Terrace Door  
Single- Double Outswing/ Inswing



## Product Overview

Winco NC 82 STH Thermal Terrace door is designed to meet the most demanding specification, both aesthetically and technically. Fully tested, according to AAMA-WDMA specifications they set new standards in performance design features include rain screen principal EPDM gaskets adjustable heavy-duty hinges multipoint locking hardware, polyamide thermal barrier, and mitered corners reinforced with heavy-duty corner keys for sturdy construction and much more.

These high quality doors provide a long lasting, secure and attractive access for condominium, single or multistorey commercial office buildings and hotels.

GREEN COMMITMENT

ENERGY SAVINGS

NOISE CONTROL

BLAST SHIELD

WIND PROTECTION

## Features & Custom Options

- Various glazing thicknesses available
- Blast, ballistic and impact glazing available
- Available as single and double French type doors, inward and outward opening, with or without sidelights
- A wide range of AAMA certified finishes are available including numerous color combinations
- Adjustable heavy duty hinges multipoint locking hardware available
- Tubular designed aluminum profiles in combination with two continuous glass reinforced polyamide struts to significantly enhance thermal performance

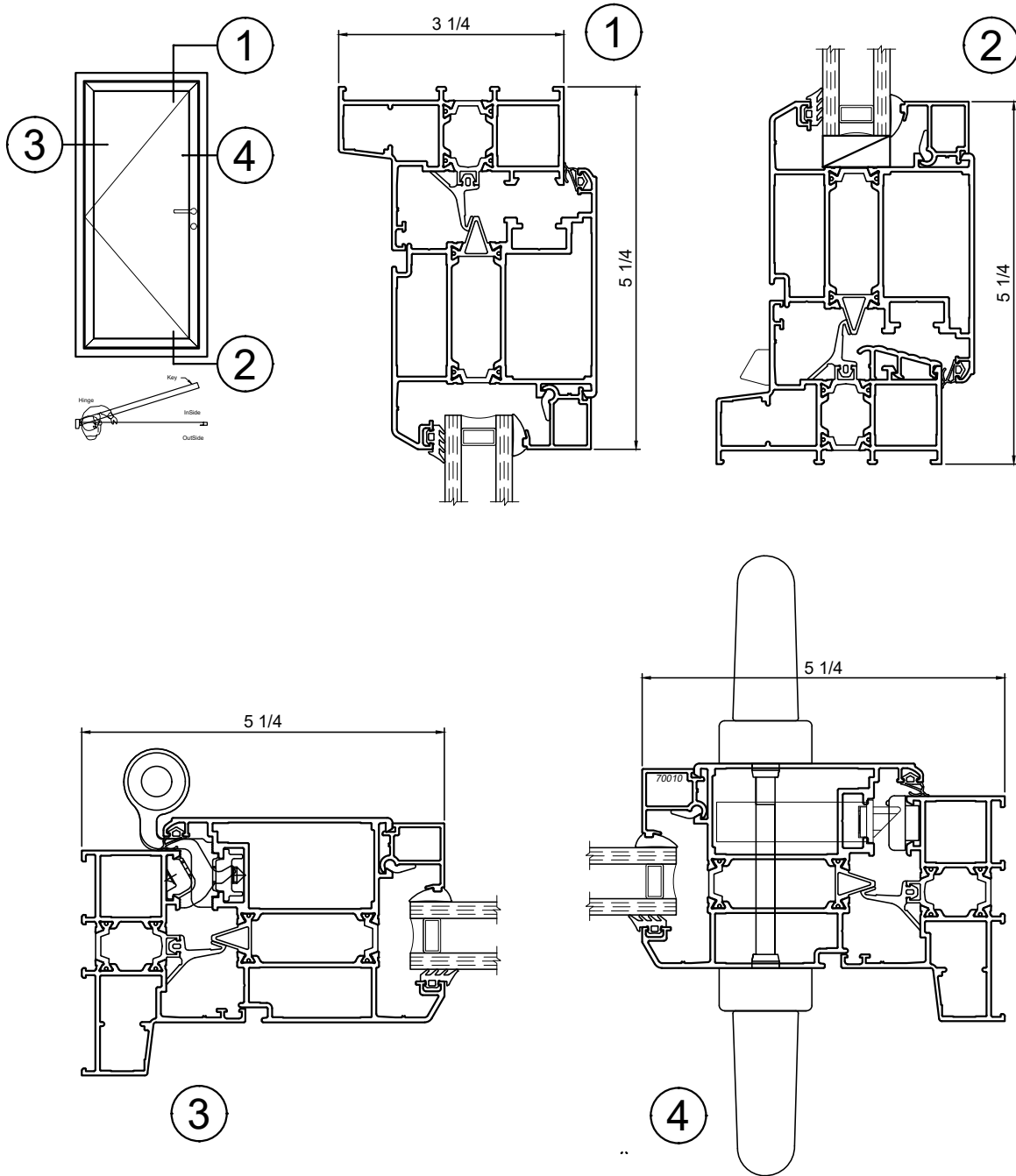
## Performance Data\*

Type	Air (CFM/FT <sup>2</sup> @ 6.24 PSF)	Water (PSF)	Structural (PSF)	U-Value (Btu/Hr-Ft <sup>2</sup> -°F)	STC
Single Door- AAMA AW-75	Less than 0.10	15 (Higher levels may be available upon request)	+/- 112.5	0.54*	Contact your local Rep
Double Door- AAMA AW-70	Less than 0.10	15 (Higher levels may be available upon request)	+/- 150	0.54*	

\*U-Value, CRF, Water and AW ratings are based on a particular type of glazing and window configuration being used. They are provided for comparison purposes only. They are based on products of standard configuration, tested in accordance with NFRC/FGIA/AAMA specifications, in a laboratory environment under optimum conditions. Performance values will vary according to project specifications, installation, size, configuration, hardware, glass, etc. Any required field testing should be done in accordance with the project specifications and FGIA/AAMA field testing protocol, not this data.



# Series NC-82 Detail Drawings



Winco Window Company  
6200 Maple Avenue  
St Louis, MO 63130

TESTING: Our products meet stringent testing requirements of both the American Architectural Manufacturers Association (AAMA) and the National Fenestration Rating Council (NFRC) standards and certification.

VER:110621





# Transira™

Architectural Grade Thermal Window System  
Fixed or Casement



## Product Overview

The Transira™ Window Solution is an insulated thermal window with an automated, high performance shade or blind built in between two panes of glass. This innovative, energy-saving window provides a variety of benefits, including increased energy savings, added visual intruder security by lowering and locking out shades, reduced health concerns considering the shade is in between the glass, and economic benefits. Unlike other products that rely on manual lifting mechanisms, the Transira™ can be activated with remote or Building Management System (BMS) integration or local control such as a wall keypad. This allows occupants to have the ability to control visibility, light, and solar heat entering a room at the touch of the button.

Installation requires one purchaser/contractor to spec, design and install instead of multiple trades/vendors, project complexity, and extended timelines. Plus, the unique design virtually eliminates maintenance, replacement, or difficult re-glazing issues.

GREEN COMMITMENT

ENERGY SAVINGS

NOISE CONTROL

BLAST SHIELD

WIND PROTECTION

## Features & Custom Options

- Azon “Azo-Brader” thermally broken frame and sash, backed by a 10 year warranty against thermal break shrinkage
- Various glazing thicknesses available
- An interior hinged access glass panel eliminates dust and damage, as well as improves sound attenuation
- Custom blackout shade available
- Built-in high-performance shade that balances views and privacy, handles daylighting and glare, and reduces solar heat gain
- Optional blast, ballistic and impact glazing for optimal security
- Multiple configurations available
- Can be activated with Building Management System (BMS) integration or local control such as a wall keypad or remote

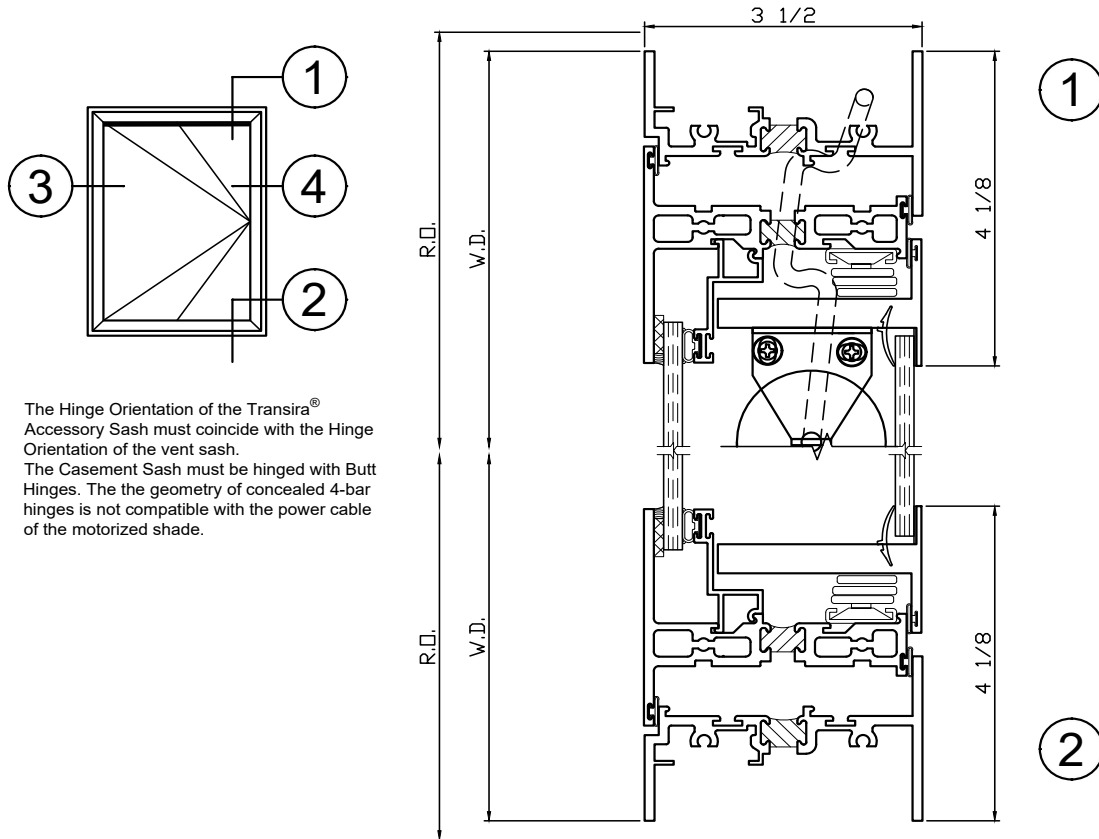
## Performance Data\*

Type	Air (CFM/FT2 @ 6.24 PSF)	Water (PSF)	Structural (PSF)	CRF	U-Value (Btu/Hr-Ft <sup>2</sup> -°F)	STC
Fixed AW Grade AP-AW100	Less than 0.10	12 (Higher levels may be available upon request)	+/- 150	63*	0.23*	Contact your local Rep
Casement AW Grade C-AW120	Less than 0.10	12 (Higher levels may be available upon request)	+/- 180	54*	0.34*	

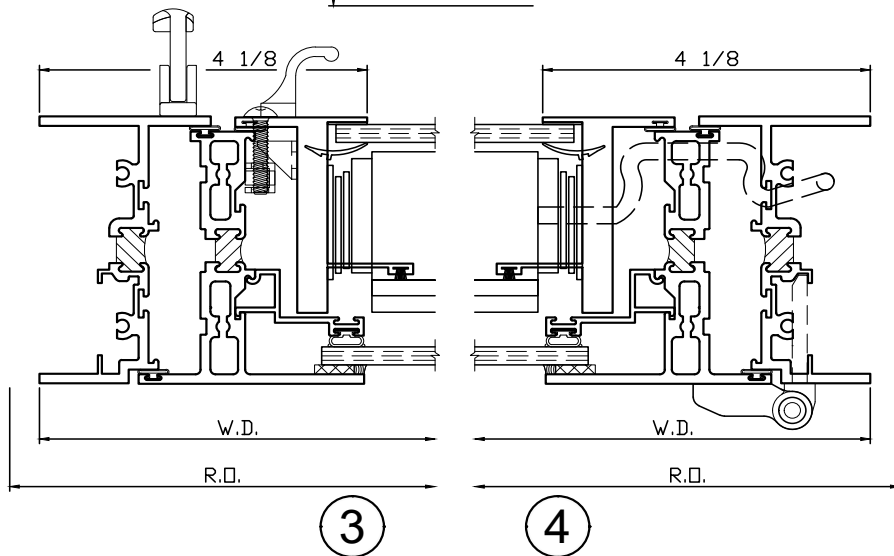
\*U-Value, CRF, Water and AW ratings are based on a particular type of glazing and window configuration being used. They are provided for comparison purposes only. They are based on products of standard configuration, tested in accordance with NFRC/FGIA/AAMA specifications, in a laboratory environment under optimum conditions. Performance values will vary according to project specifications, installation, size, configuration, hardware, glass, etc. Any required field testing should be done in accordance with the project specifications and FGIA/AAMA field testing protocol, not this data.



# Series Transira™ Detail Drawings



The Hinge Orientation of the Transira® Accessory Sash must coincide with the Hinge Orientation of the vent sash. The Casement Sash must be hinged with Butt Hinges. The geometry of concealed 4-bar hinges is not compatible with the power cable of the motorized shade.



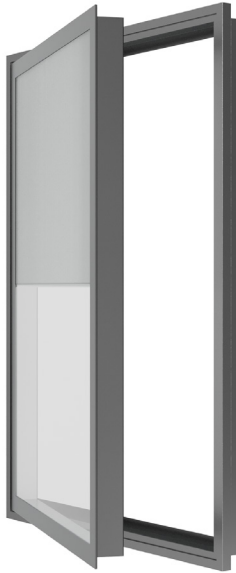
Winco Window Company  
6200 Maple Avenue  
St Louis, MO 63130

TESTING: Our products meet stringent testing requirements of both the American Architectural Manufacturers Association (AAMA) and the National Fenestration Rating Council (NFRC) standards and certification.



# Transira™ Retro-fit

Architectural Grade Thermal Window System  
Retro-Fit Configuration



## Product Overview

There's a new smart way to add security and energy upgrades to existing window systems. WINCO's new Transira™ Window integrates a motorized, high-tech shading or blind system inside a custom-made window, and then integrates motor controls that can be controlled by your local control system.

The Transira Accessory Sash for Motorized Shades or blinds is a glazing option / product configuration enhancement which can be utilized as stand-alone window in the 3350 Series and as add-on interior window in combination with primary windows of any make up including but not limited to Storefront, Curtain Wall, Wood Windows, etc, also referred to as "retro-fit" option.

WINCO's Transira Accessory Sash is an economical way to increase energy savings, reduce health concerns with a dust free-environment, and add visual intruder security.

GREEN COMMITMENT

ENERGY SAVINGS

NOISE CONTROL

BLAST SHIELD

WIND PROTECTION

## Features & Custom Options

- Can be used in conjunction with new or existing Storefront, Curtain Wall or inboard of existing primary windows
- Interior hinged access glass panel eliminates dust and damage
- Optional blast, ballistic and impact glazing for optimal security
- Custom blackout shade option
- Multiple configurations available
- Can be activated with Building Management System (BMS) integration or local control such as a wall keypad
- Built-in high-performance shade or blind that balances views and privacy, handles daylighting and glare, and reduces solar heat gain

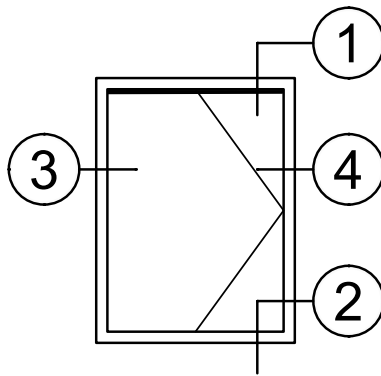
## Performance

Average Performance improvement to an existing monolithic window:

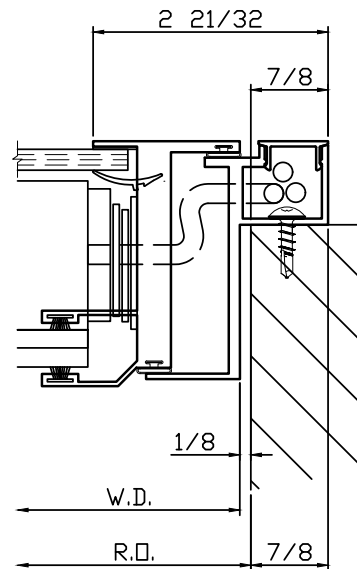
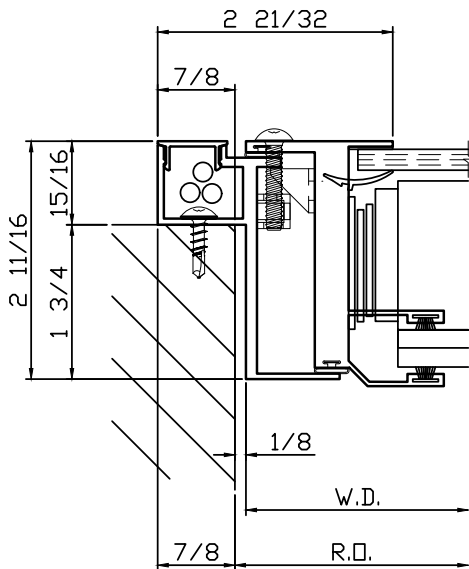
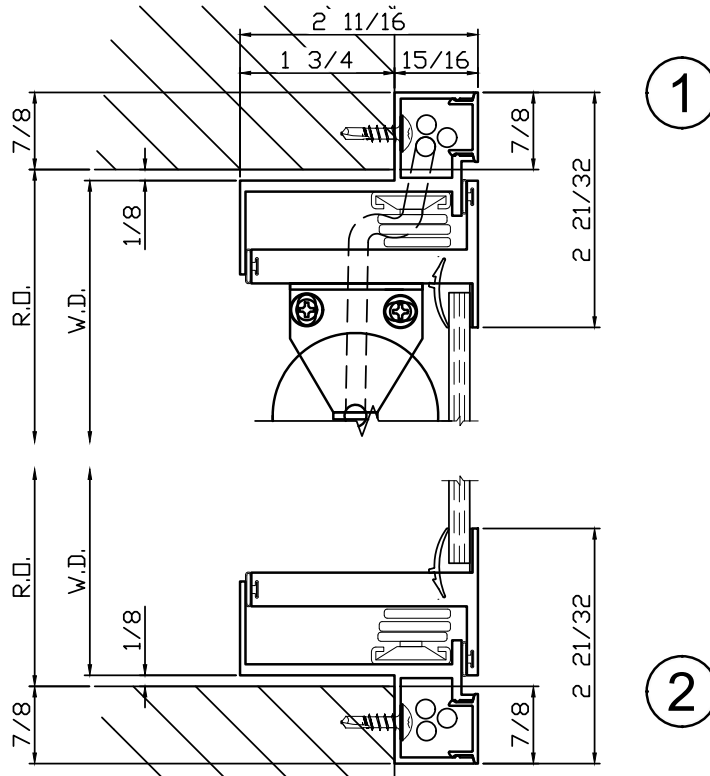
- Improve thermal U-Value by over 50% (1.03 to 0.48).
- Average of 30% energy savings
- Increases acoustic abatement by 12 STC points. (44 to 32 3350 Fixed w-BS E90 STC-OITC Report 04-17)



# Transira™ Detail Drawings



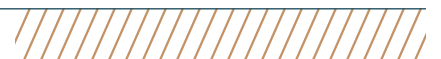
The Retrofit Configuration is designed to be used in conjunction with new or existing Storefront, Curtain Wall or inboard of existing primary windows. While the accessory sash containing the motorized shade can be opened for maintenance purposes, it is not intended to be opened for ventilation. Shimming not shown for clarity of system.



Winco Window Company  
6200 Maple Avenue  
St Louis, MO 63130

TESTING: Our products meet stringent testing requirements of both the American Architectural Manufacturers Association (AAMA) and the National Fenestration Rating Council (NFRC) standards and certification.

VER:251021





Winco Window Company  
6200 Maple Avenue  
St Louis, MO 63130

P: 800-525-8089 F: 314-725-1419 Email: [sales4@wincowindow.com](mailto:sales4@wincowindow.com) [wincowindow.com](http://wincowindow.com)

