



Series 1450S

4" Architectural Grade Window System
Fixed - Projected - Casement



Product Overview

With an integral beveled glazing stop, the 1450S is the right choice for your fixed, projected and casement window needs that require applied muntin grids.

No longer do you have to settle for the leaky drop-in beveled grid of the past. The extruded beveled glazing leg provides the clean appearance and weathertight construction your project deserves.

GREEN COMMITMENT

HISTORIC REPLICATION

ENERGY SAVINGS

NOISE CONTROL

BLAST SHIELD

Features & Custom Options

- Azon "Azo-Brader" thermally broken frame and sash, backed by a 10 year warranty against thermal break shrinkage
- Vertical and horizontal stacking members
- Fully mitered overlap sash configuration with fully sealed corners and dual weather-stripping
- Various glazing thicknesses available
- Integral extruded beveled glazing leg
- Dual glazing with optional integral blinds providing dynamic light control
- Wide variety of locking and operating hardware available
- Ability to make inside and outside glazed panels within the same mainframe
- Accessory line of receptors, mullions, panning and trim for a customized look
- Blast, ballistic and impact glazing available
- Optional aluminum extruded screens

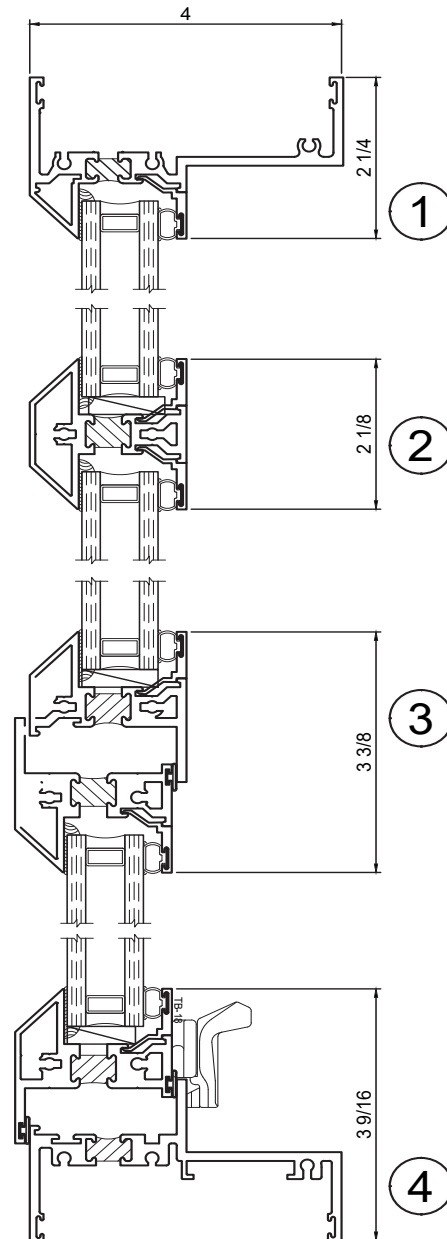
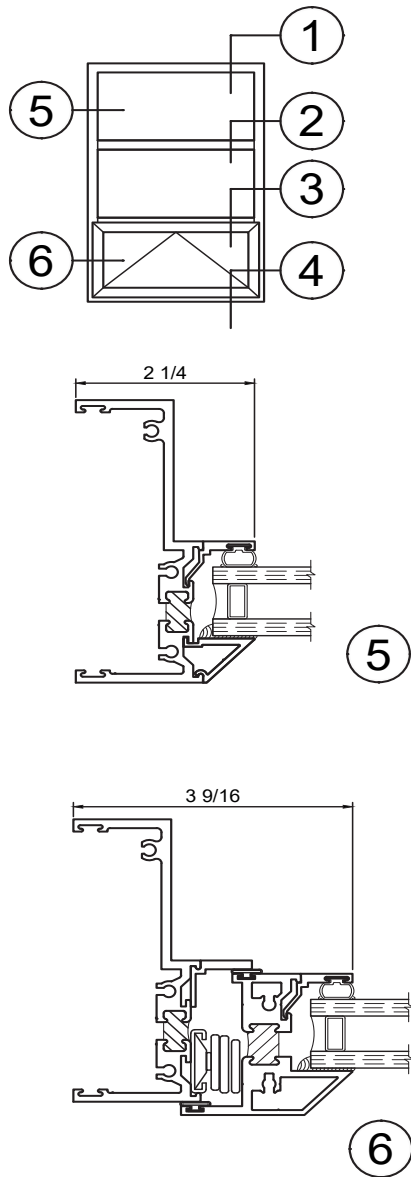
Performance Data*

Type	Air (CFM/FT ² @ 6.24 PSF)	Water (PSF)	Structural (PSF)	CRF	U-Value (Btu/Hr-Ft ² -°F)	STC
Projected AW Grade AP-AW120	Less than 0.10	12 (Higher levels may be available upon request)	+/- 180	60*	0.43*	Contact your local Rep
Casement AW Grade C-AW120	Less than 0.10	12 (Higher levels may be available upon request)	+/- 180	60*	0.43*	

*U-Value, CRF, Water and AW ratings are based on a particular type of glazing and window configuration being used. They are provided for comparison purposes only. They are based on products of standard configuration, tested in accordance with NFRC/FGIA/AAMA specifications, in a laboratory environment under optimum conditions. Performance values will vary according to project specifications, installation, size, configuration, hardware, glass, etc. Any required field testing should be done in accordance with the project specifications and FGIA/AAMA field testing protocol, not this data.



Series 1450S Detail Drawings



Winco Window Company
6200 Maple Avenue
St Louis, MO 63130

TESTING: Our products meet stringent testing requirements of both the American Architectural Manufacturers Association (AAMA) and the National Fenestration Rating Council (NFRC) standards and certification.

VER:021924

