



Designing Safe, Secure & Welcoming Learning Environments Together.



When Safety Counts...

Rely on Winco's Factory Glazed FEMA Windows for Storm Shelters

Precision Quality Control:

To ensure our windows are produced exactly as tested, Winco's tornado windows are factory-glazed in our facility. We deliver the windows to your project ready to install, giving you peace of mind that the windows will perform when the next storm arrives.

Exceptional Performance:

Our windows meet both ICC-500 2014 and 2020 requirements, as well as FEMA P-361. Our tornado windows have AAMA Gold Level certification, tested to over AW-80 and 250 mph.

Maintenance and Durability:

Winco's systems are designed to make replacing the interior polycarbonate lite easy and cost-effective. The polycarbonate is glazed separately so it can be quickly replaced if needed.

Building Aesthetics:

Winco can make windows with glass with various tints and low E options that provide a unified look between the storm shelter portion of the building and other areas, offering an aesthetically pleasing building appearance.



Download the tornado-resistant windows lookbook to browse architectural photographs and read the stories behind the designs.



Connect with your local Representative to learn more about Winco's FEMA windows.

FEMA Window Sizing Guide

Minimum & Maximum Window Sizes

W.D. = window dimension R.O. = rough opening

The sizes listed represent the minimum and maximum window dimensions that Winco can produce.

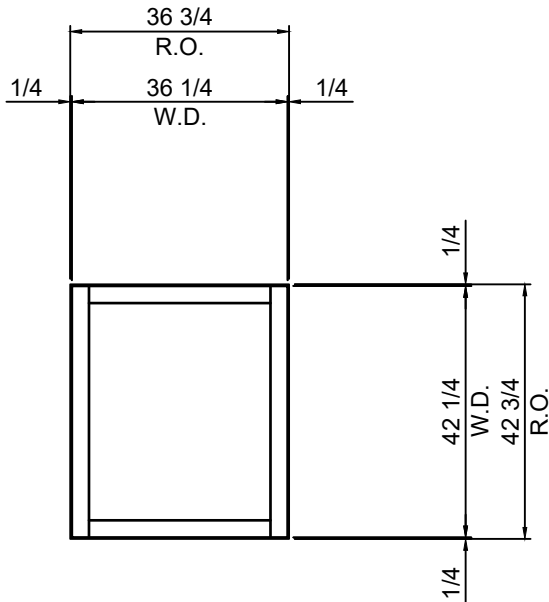
To ensure a proper fit, the Rough Opening must be 1/2" larger in each direction for single lite units, allowing for a 1/4" shim/caulk joint on all sides.

For mullioned configurations, the Rough Opening should be 1/2" wider and 1/2" taller than the assembled window dimensions. Specifically, the width should include a 1/4" caulk joint on each jamb, and 1-3/4" is needed at the vertical mullion.

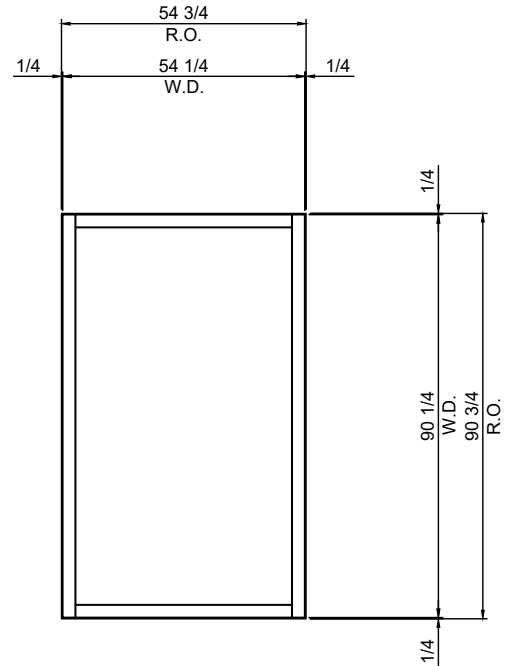
For the height, allow a 1/4" caulk joint at both the head and sill.

Multiple configurations between the minimum and maximum window sizes are available. For more information or different configurations, please contact your local rep.

Single Window



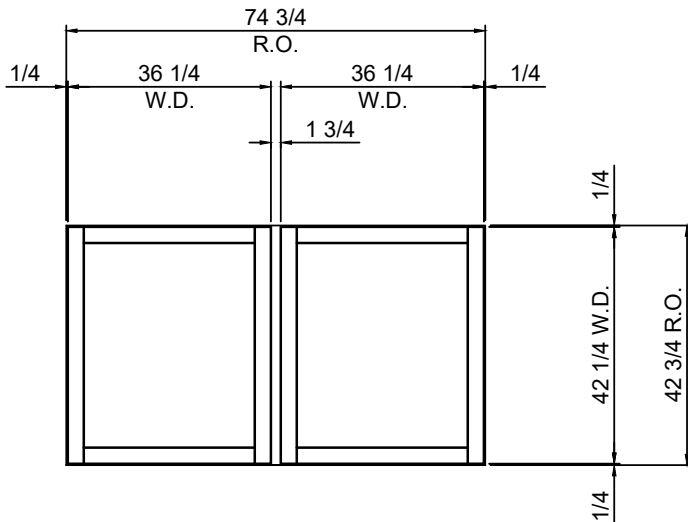
Minimum Size



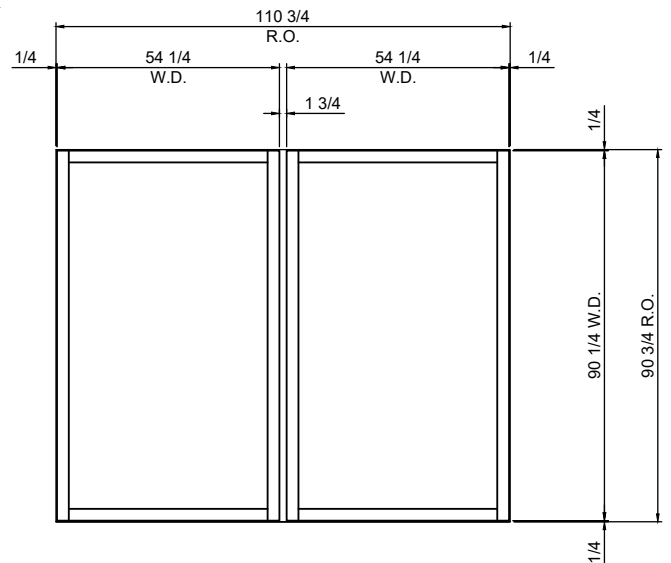
Maximum Size

Divided Window

Mullion - Vertical



Minimum Mulled Size



Maximum Mulled Size