

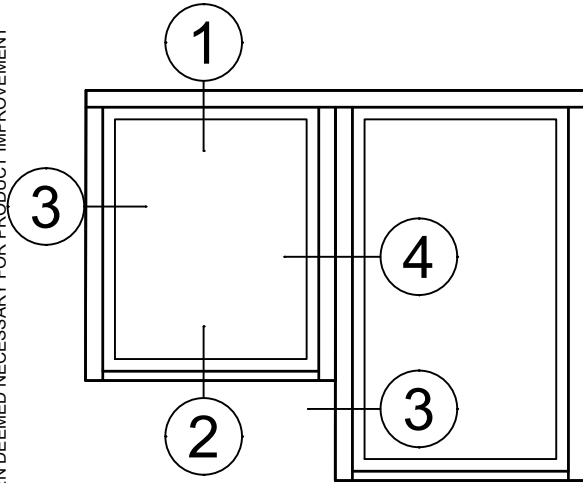
Receptor Sections - 1450S Series

Product Details - Head / Jamb Receptors and Sub-Sills

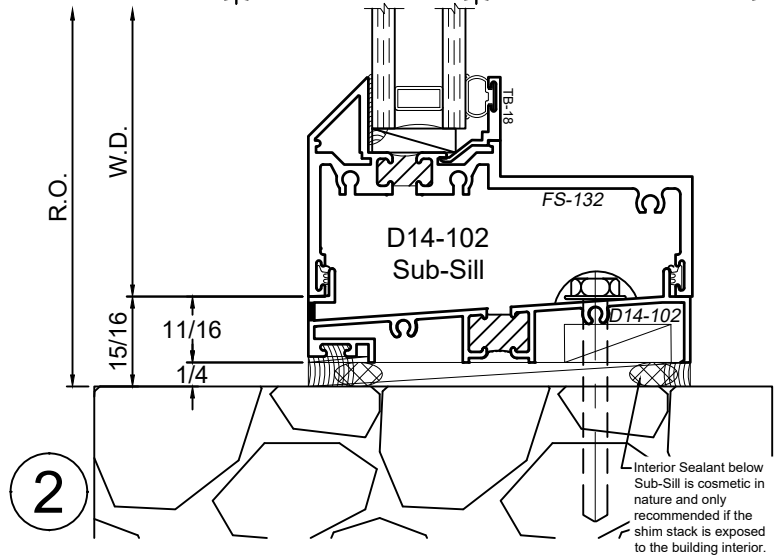
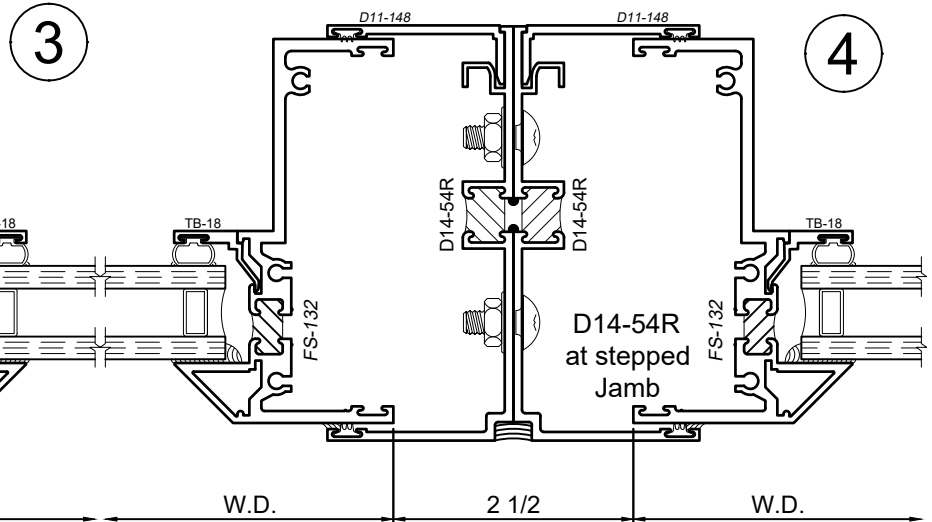
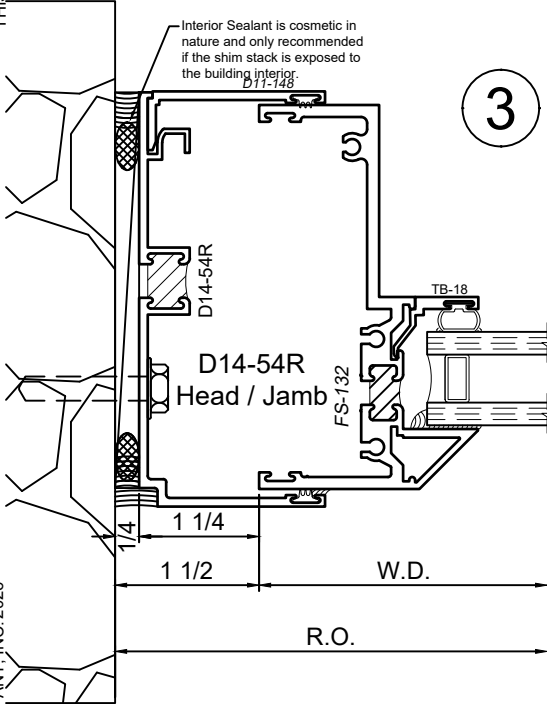
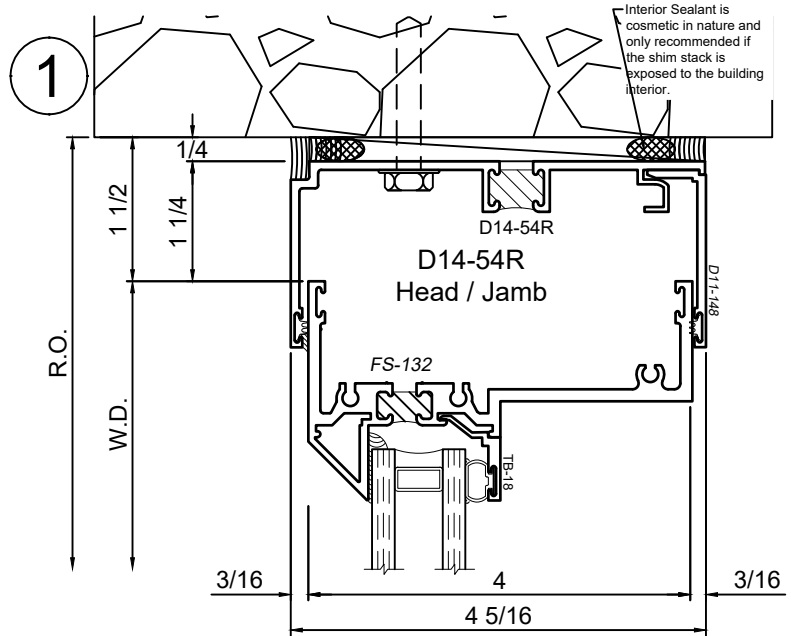


Note: Trim shown is a sampling of WINCO's offering. Not all shapes are held in stock and minimum quantity order may be required. Consult your local WINCO sales representative for other trims available. It is WINCO's recommendation to install all trim and materials per WINCO's installation instructions.

WINCO RESERVES THE RIGHT TO MODIFY OR CHANGE INFORMATION WITHIN THIS BOOK WHEN DEEMED NECESSARY FOR PRODUCT IMPROVEMENT



See 1450 / 1450S / 3410 / 4410 / 4410S / 4500 / 4500S Window Section(s) for possible window frame configurations.



SCALE 6"=1'-0"

© WINCO WINDOW COMPANY, INC. 2026

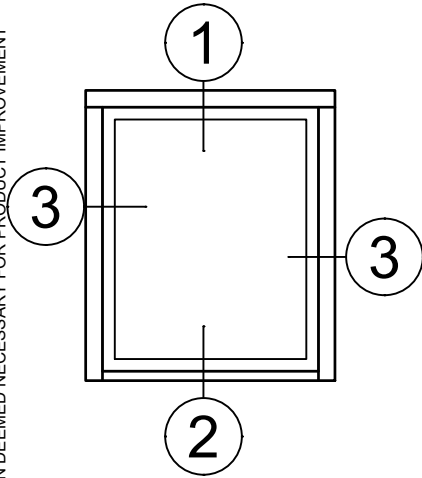
Receptor Sections - 1450S Series

Product Details - Rapid Receptor Head / Jamb & Sub-Sill

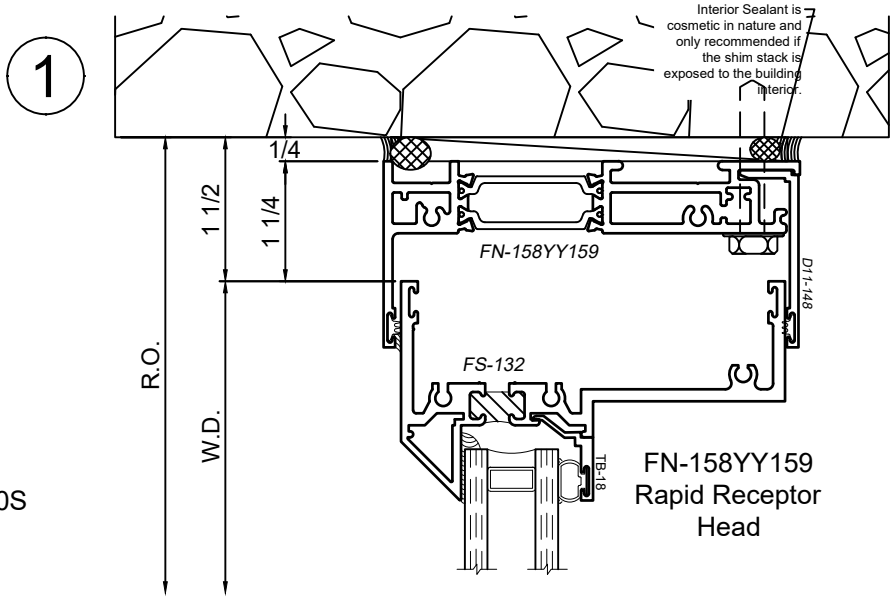


Note: Trim shown is a sampling of WINCO's offering. Not all shapes are held in stock and minimum quantity order may be required. Consult your local WINCO sales representative for other trims available. It is WINCO's recommendation to install all trim and materials per WINCO's installation instructions.

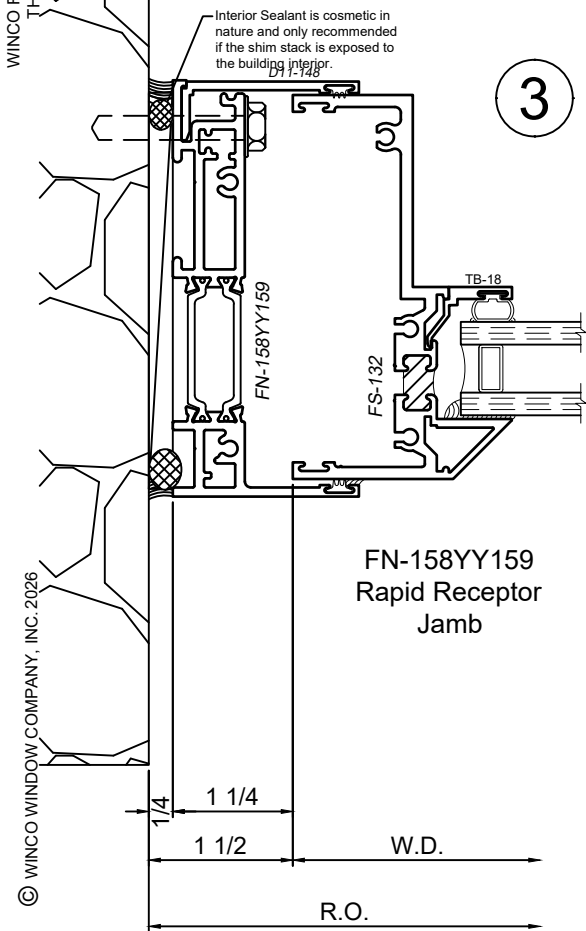
WINCO RESERVES THE RIGHT TO MODIFY OR CHANGE INFORMATION WITHIN THIS BOOK WHEN DEEMED NECESSARY FOR PRODUCT IMPROVEMENT



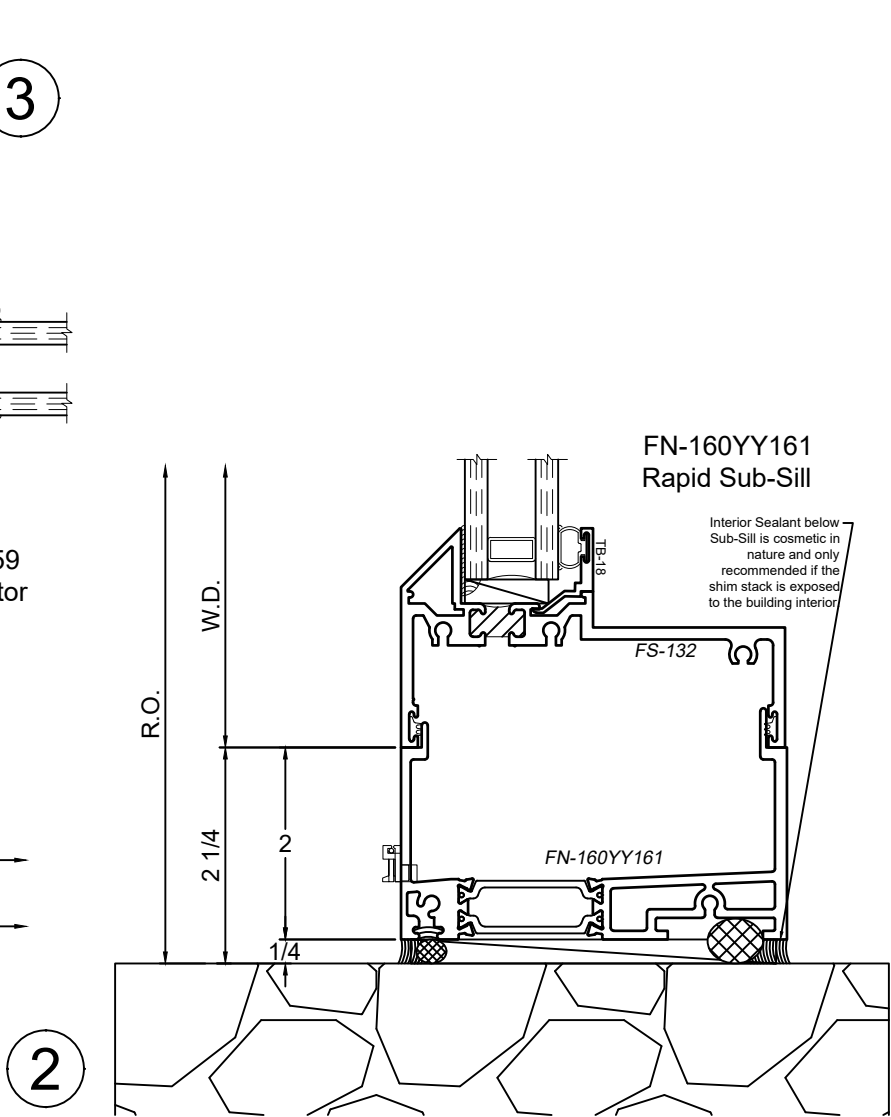
See 1450 / 1450S / 3410 / 4410 / 4410S / 4500 / 4500S Window Section(s) for possible window frame configurations.



**FN-158YY159
Rapid Receptor
Head**



**FN-158YY159
Rapid Receptor
Jamb**



**FN-160YY161
Rapid Sub-Sill**

SCALE 6"=1'-0"

Receptor Sections - 1450S Series

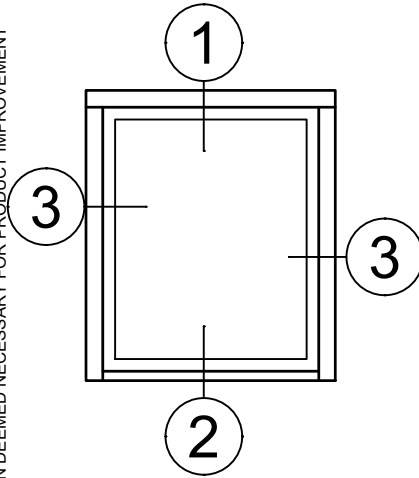
Product Details - Head / Jamb Receptors and Sub-Sills



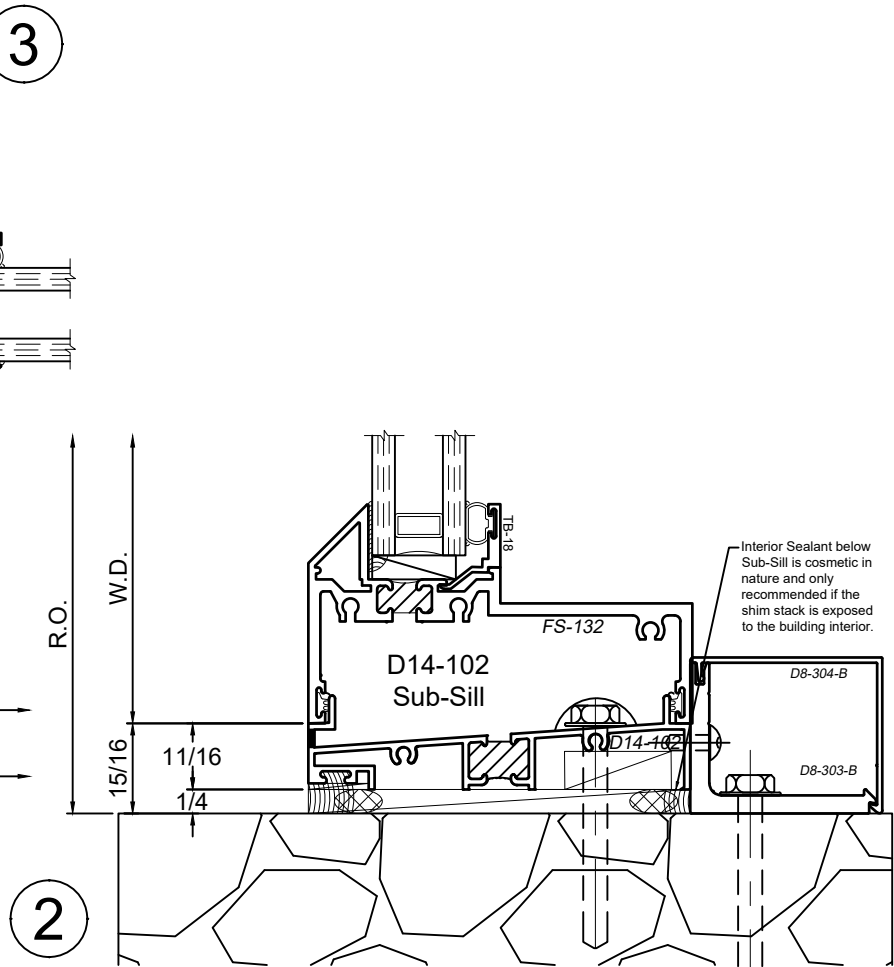
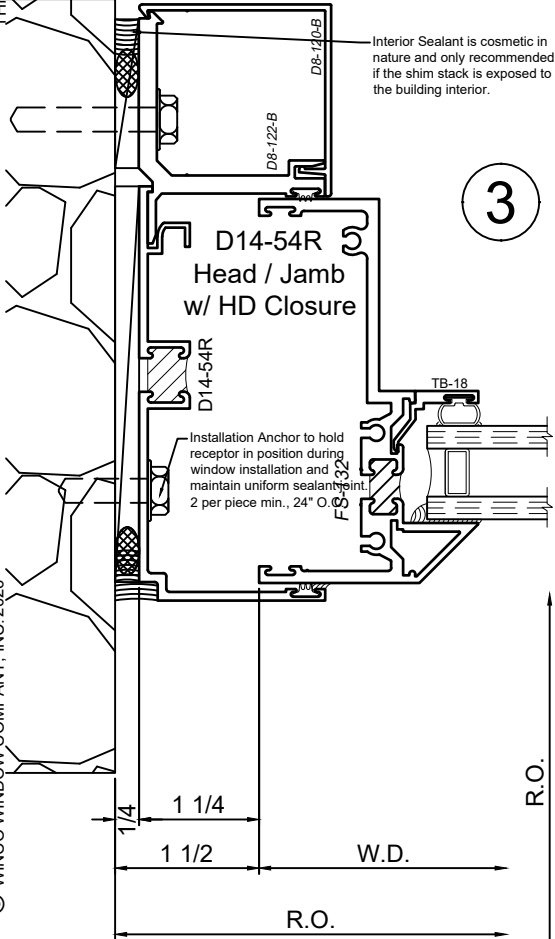
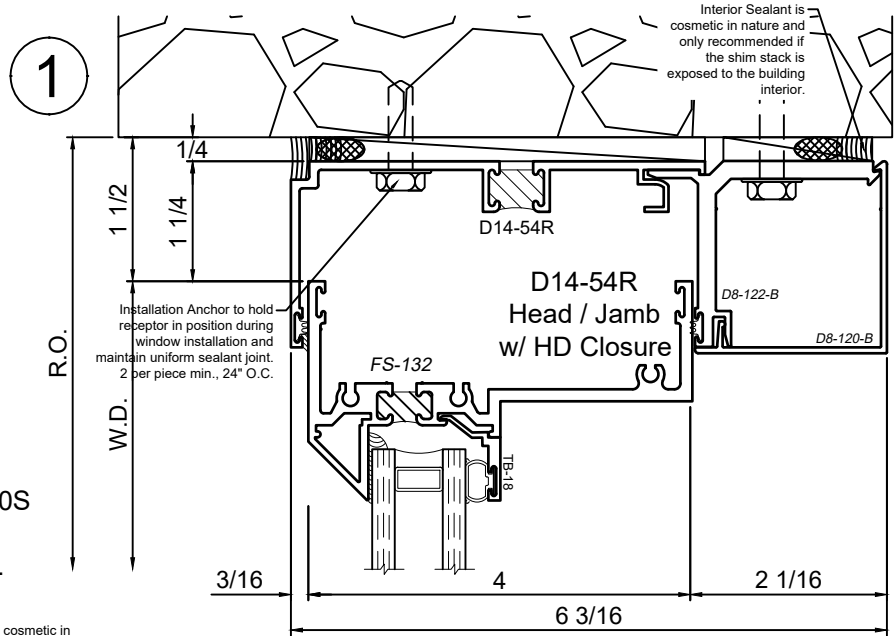
Note: Trim shown is a sampling of WINCO's offering. Not all shapes are held in stock and minimum quantity order may be required. Consult your local WINCO sales representative for other trims available. It is WINCO's recommendation to install all trim and materials per WINCO's installation instructions.

WINCO RESERVES THE RIGHT TO MODIFY OR CHANGE INFORMATION WITHIN THIS BOOK WHEN DEEMED NECESSARY FOR PRODUCT IMPROVEMENT

© WINCO WINDOW COMPANY, INC. 2026



See 1450 / 1450S / 3410 / 4410 / 4410S / 4500 / 4500S Window Section(s) for possible window frame configurations.



SCALE 6"=1'-0"

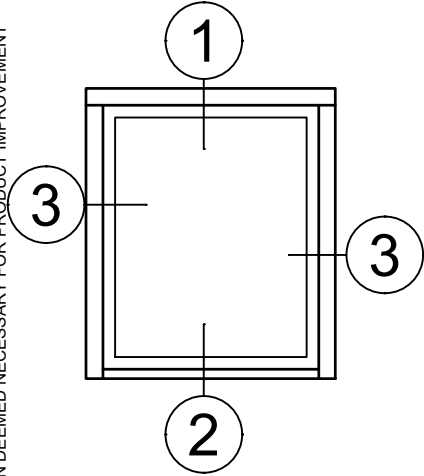
Receptor Sections - 1450S Series

Product Details - Head / Jamb Receptors and Sub-Sills

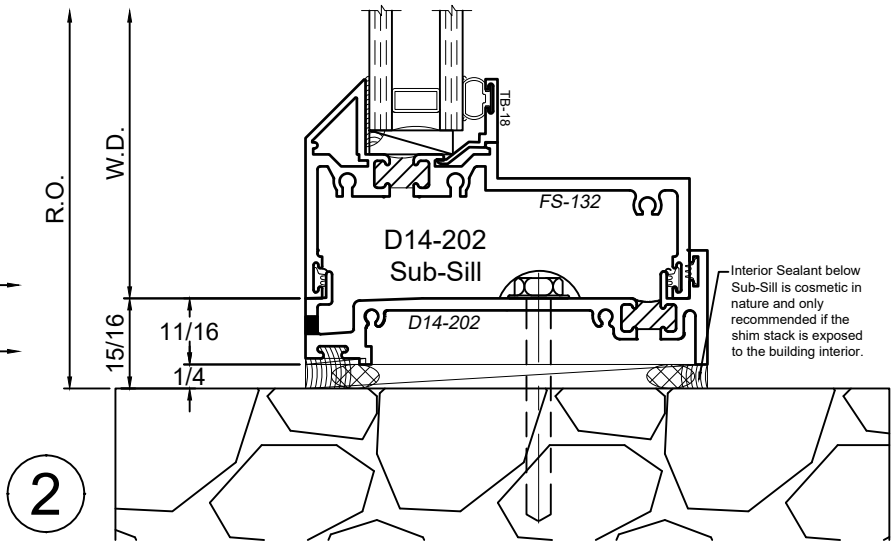
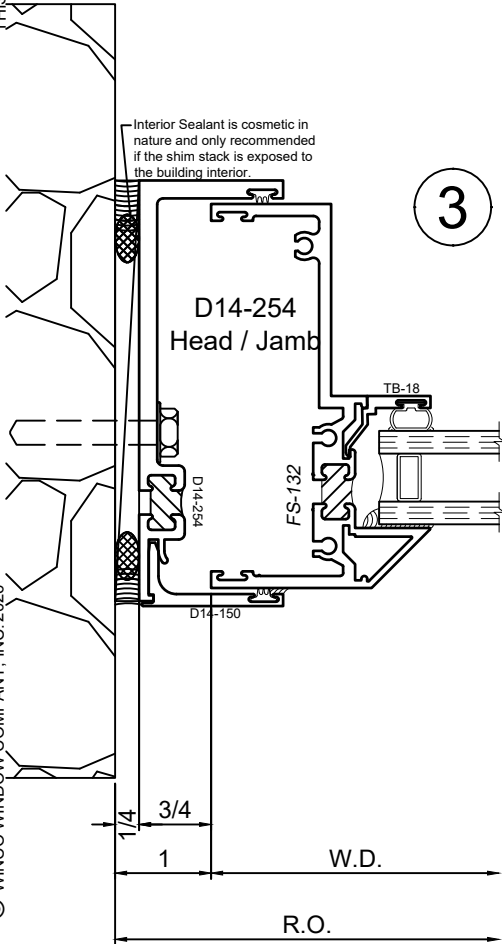
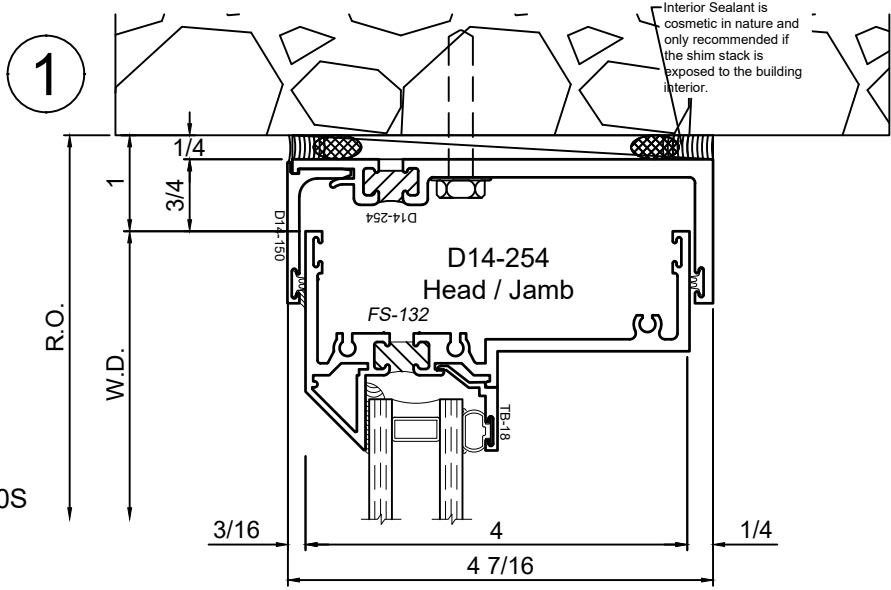


Note: Trim shown is a sampling of WINCO's offering. Not all shapes are held in stock and minimum quantity order may be required. Consult your local WINCO sales representative for other trims available. It is WINCO's recommendation to install all trim and materials per WINCO's installation instructions.

WINCO RESERVES THE RIGHT TO MODIFY OR CHANGE INFORMATION WITHIN THIS BOOK WHEN DEEMED NECESSARY FOR PRODUCT IMPROVEMENT



See 1450 / 1450S / 3410 / 4410 / 4410S / 4500 / 4500S Window Section(s) for possible window frame configurations.



SCALE 6"=1'-0"

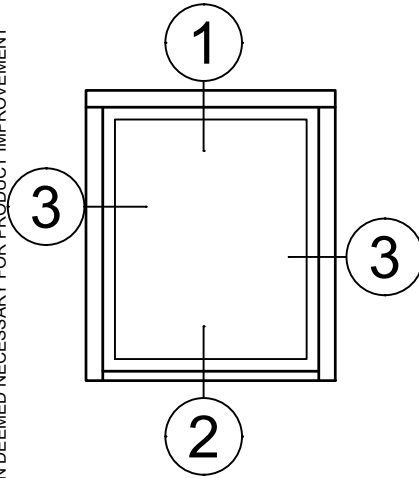
Receptor Sections -1450S Series

Product Details - Head / Jamb Receptors and Sub-Sills

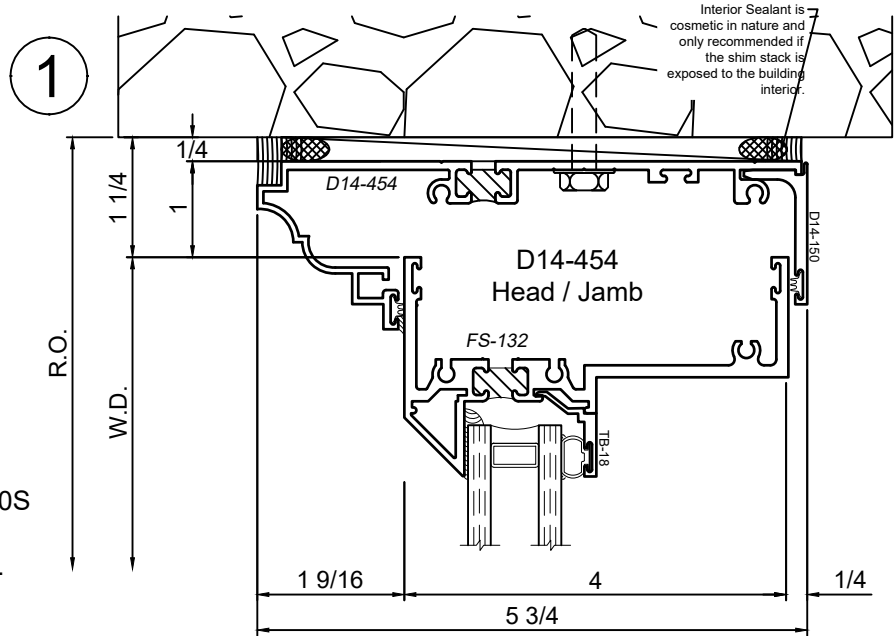


Note: Trim shown is a sampling of WINCO's offering. Not all shapes are held in stock and minimum quantity order may be required. Consult your local WINCO sales representative for other trims available. It is WINCO's recommendation to install all trim and materials per WINCO's installation instructions.

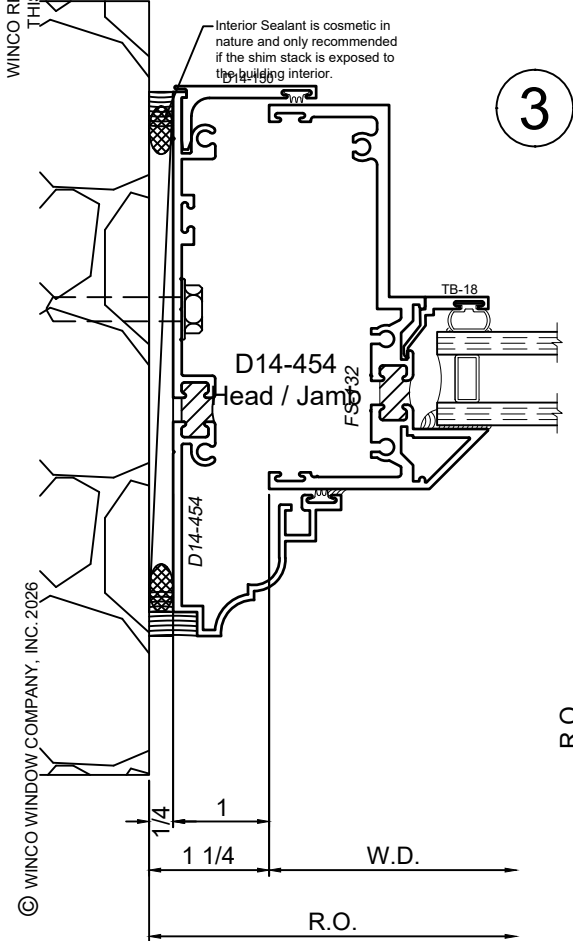
WINCO RESERVES THE RIGHT TO MODIFY OR CHANGE INFORMATION WITHIN THIS BOOK WHEN DEEMED NECESSARY FOR PRODUCT IMPROVEMENT



See 1450 / 1450S / 3410 / 4410 / 4410S / 4500 / 4500S Window Section(s) for possible window frame configurations.

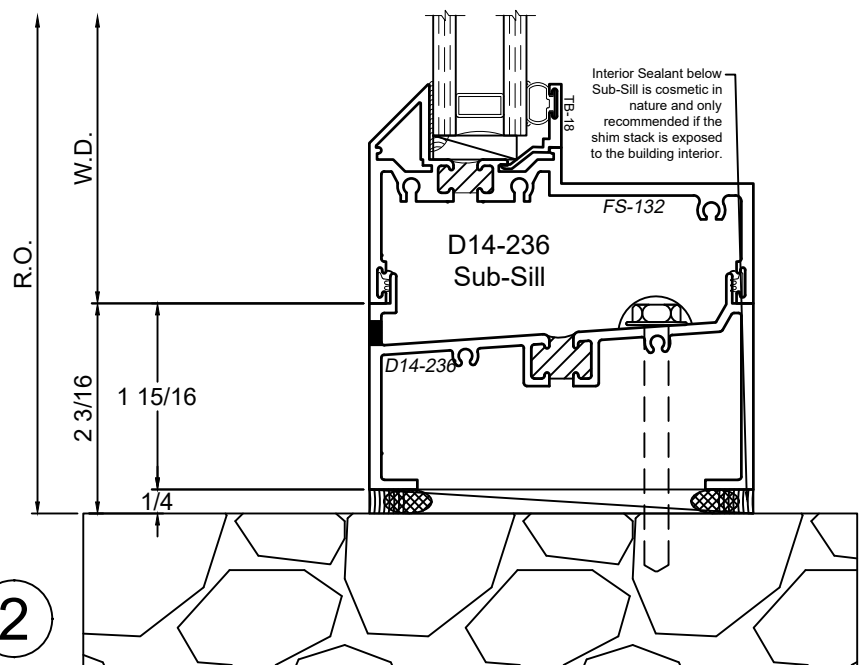


Interior Sealant is cosmetic in nature and only recommended if the shim stack is exposed to the building interior.



Interior Sealant is cosmetic in nature and only recommended if the shim stack is exposed to the building interior.

3



Interior Sealant below Sub-Sill is cosmetic in nature and only recommended if the shim stack is exposed to the building interior.

2

SCALE 6"=1'-0"

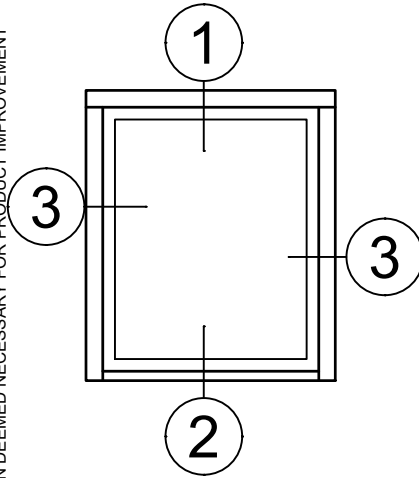
Receptor Sections - 1450S Series

Product Details - Head / Jamb Receptors and Sub-Sills

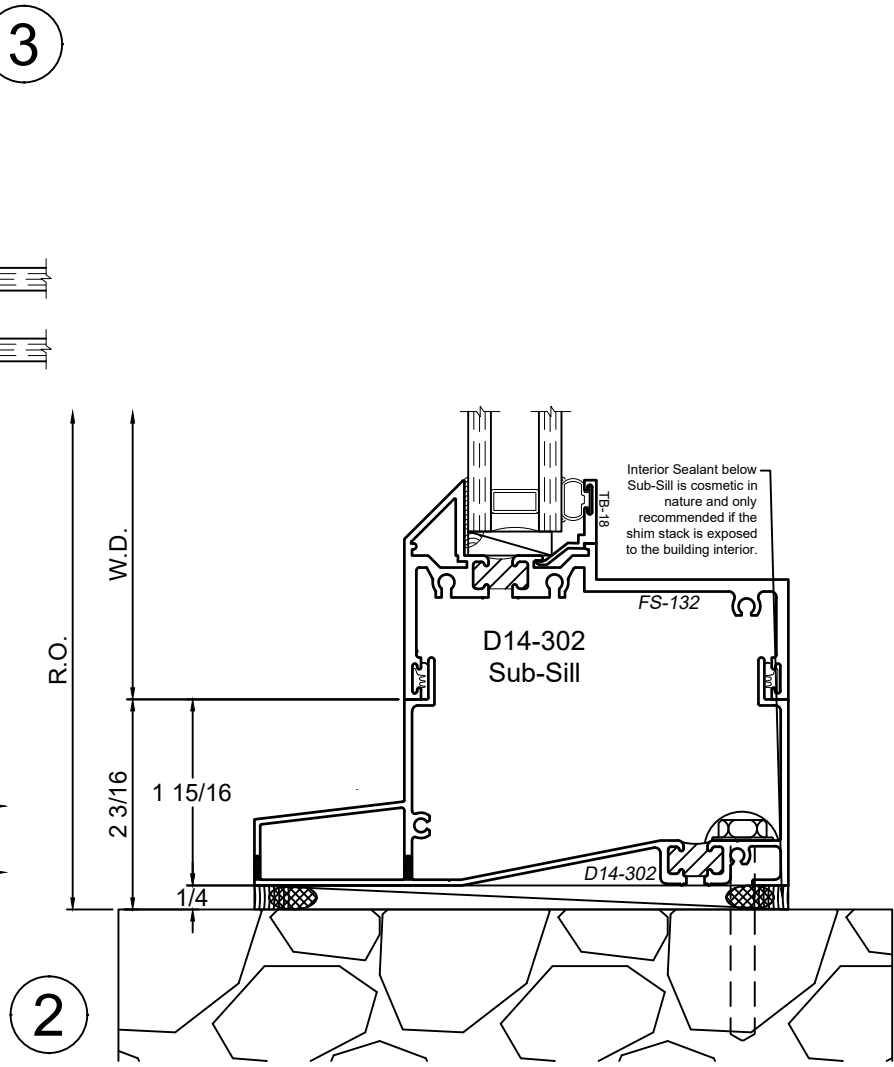
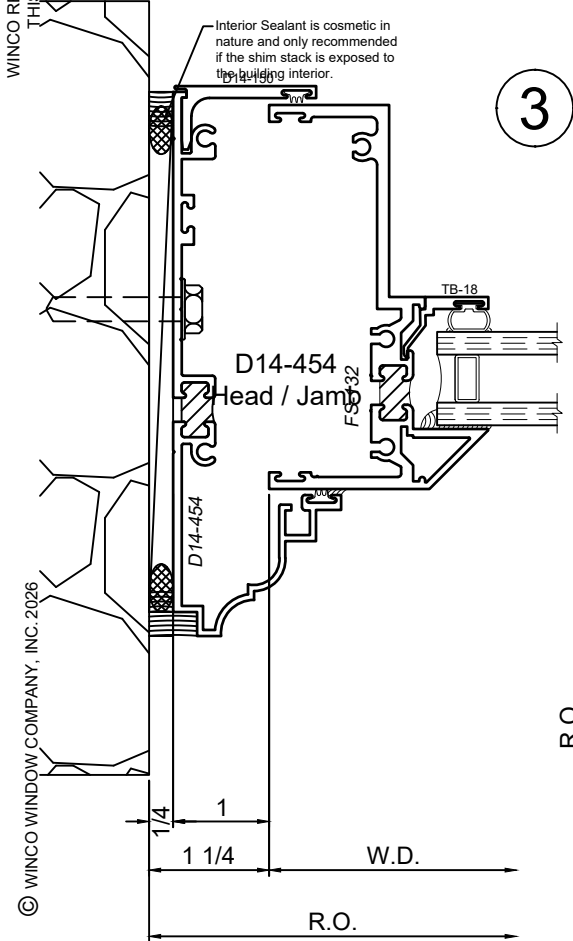
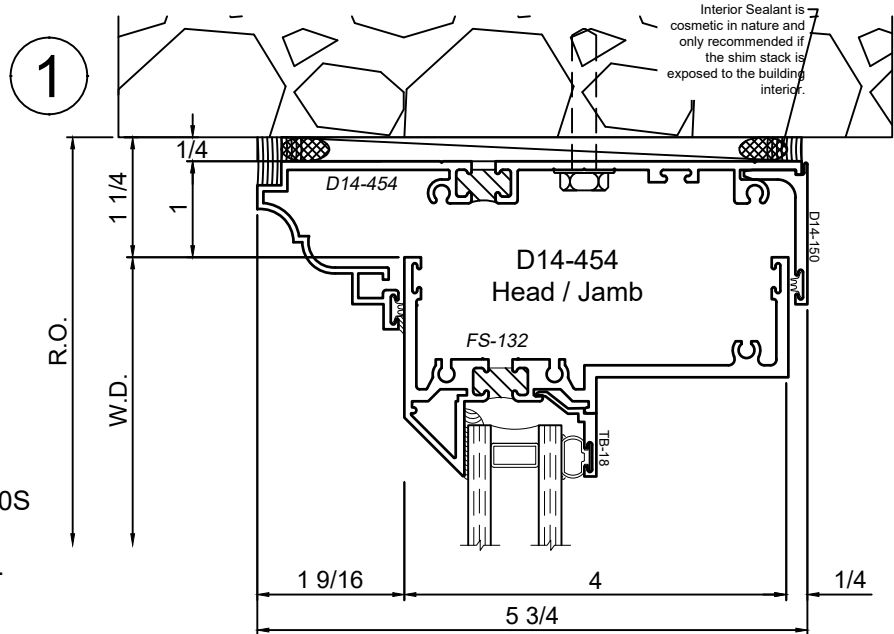


Note: Trim shown is a sampling of WINCO's offering. Not all shapes are held in stock and minimum quantity order may be required. Consult your local WINCO sales representative for other trims available. It is WINCO's recommendation to install all trim and materials per WINCO's installation instructions.

WINCO RESERVES THE RIGHT TO MODIFY OR CHANGE INFORMATION WITHIN THIS BOOK WHEN DEEMED NECESSARY FOR PRODUCT IMPROVEMENT



See 1450 / 1450S / 3410 / 4410 / 4410S / 4500 / 4500S Window Section(s) for possible window frame configurations.



SCALE 6"=1'-0"