

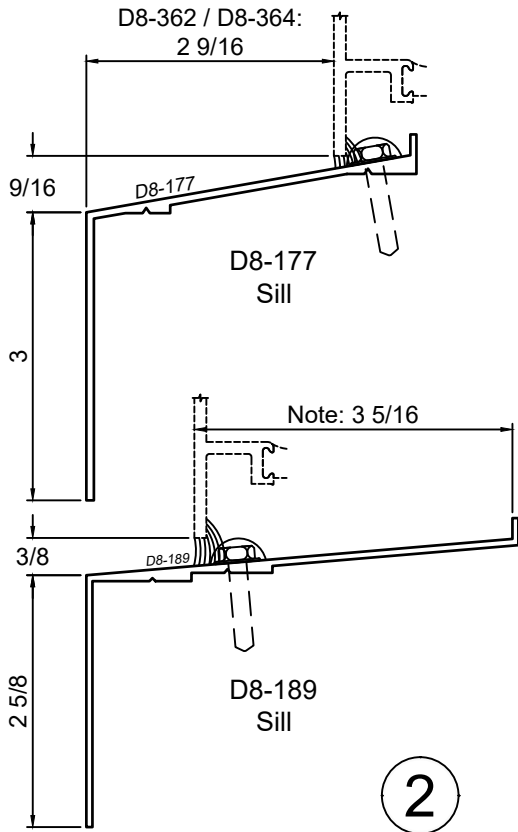
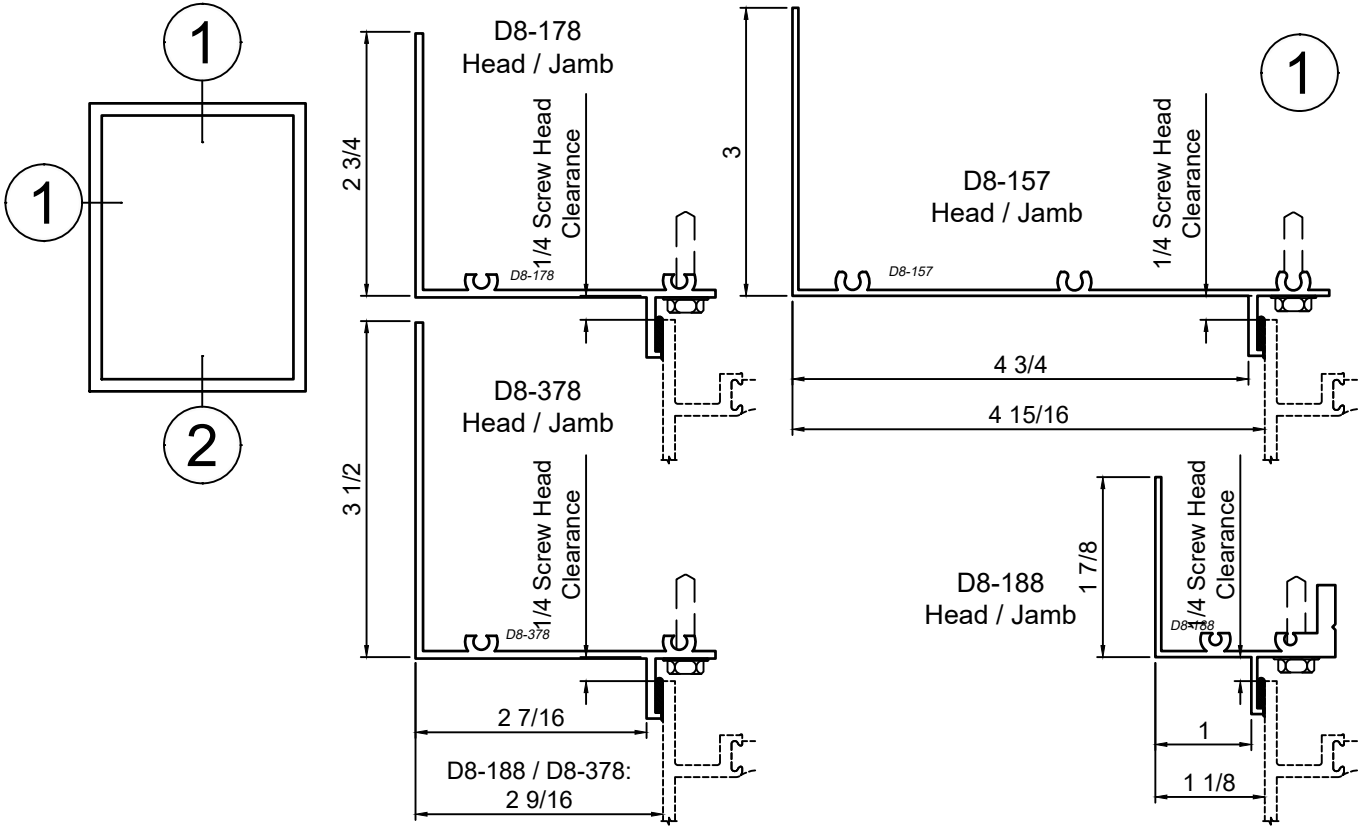
Pan Sections - All Windows

Product Details - Pre Set Pan - Assembly Details



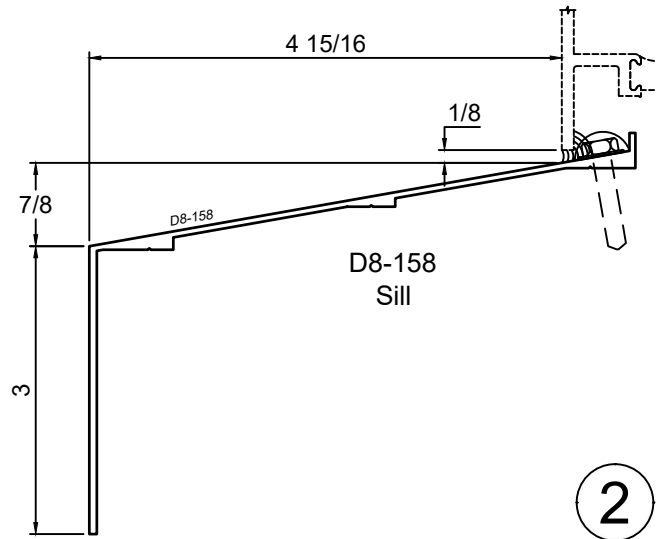
Note: Panning shown is a sampling of WINCO's offering. Not all shapes are held in stock and minimum quantity order may be required. Consult your local WINCO sales representative for other panning shapes available. It is WINCO's recommendation to install all trim and materials per WINCO's installation instructions.

WINCO RESERVES THE RIGHT TO MODIFY OR CHANGE INFORMATION WITHIN THIS BOOK WHEN DEEMED NECESSARY FOR PRODUCT IMPROVEMENT



Flat / Stepped Pre Set Pan		
Head / Jamb		Sill
D8-157	use w/	D8-158
D8-178	use w/	D8-177
D8-188	use w/	D8-189*
D8-378	use w/	D8-177

* D8-188 may also be furnished w/ D8-188 Sill Pan - See Pan / All / 7



SCALE 6"=1'-0"

© WINCO WINDOW COMPANY, INC. 2026

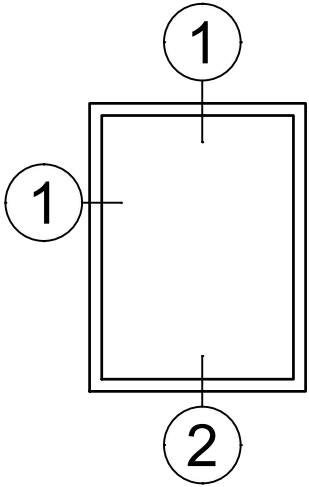
Pan Sections - All Windows

Product Details - Pre Set Pan (Contoured)

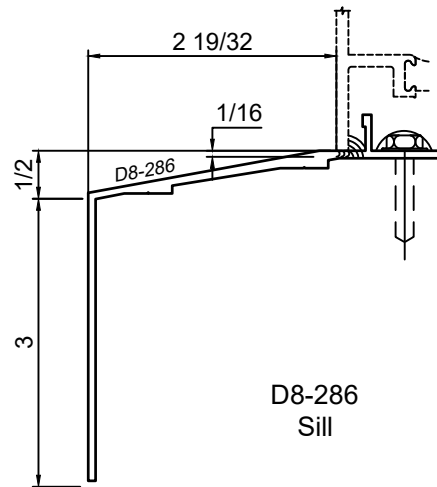
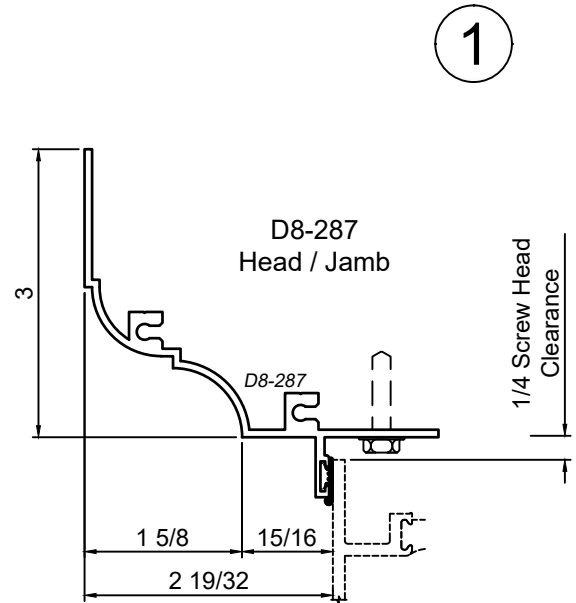


Note: Panning shown is a sampling of WINCO's offering. Not all shapes are held in stock and minimum quantity order may be required. Consult your local WINCO sales representative for other panning shapes available. It is WINCO's recommendation to install all trim and materials per WINCO's installation instructions.

WINCO RESERVES THE RIGHT TO MODIFY OR CHANGE INFORMATION WITHIN THIS BOOK WHEN DEEMED NECESSARY FOR PRODUCT IMPROVEMENT



Contoured Pre Set Pan	
Head / Jamb	Sill
D8-287	use w/ D8-286



© WINCO WINDOW COMPANY, INC. 2026

SCALE 6"=1'-0"

2

Pan Sections - All Windows

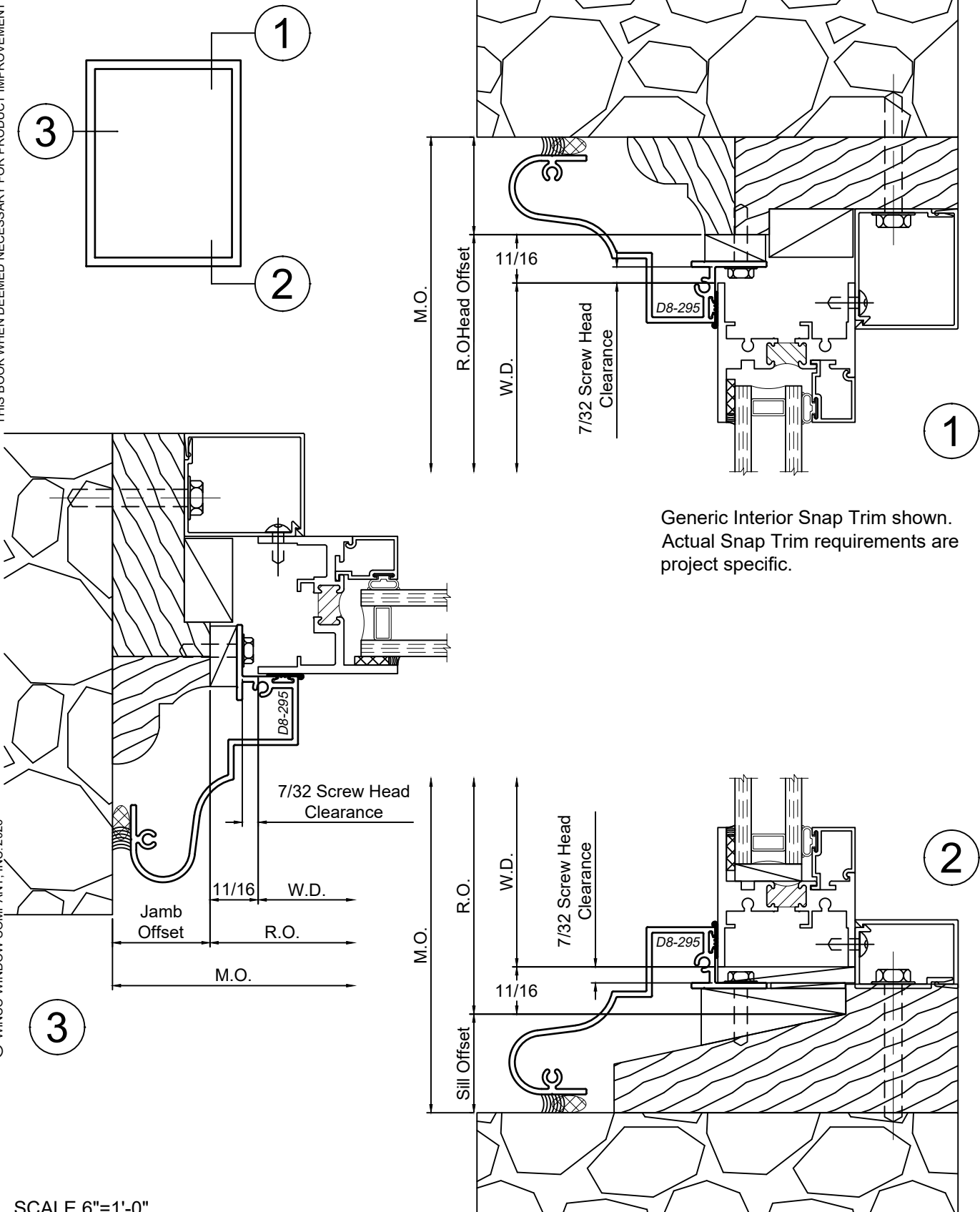
Product Details - Pre Set Box Pan - Assembly Details



Note: Panning shown is a sampling of WINCO's offering. Not all shapes are held in stock and minimum quantity order may be required. Consult your local WINCO sales representative for other panning shapes available. It is WINCO's recommendation to install all trim and materials per WINCO's installation instructions.

WINCO RESERVES THE RIGHT TO MODIFY OR CHANGE INFORMATION WITHIN THIS BOOK WHEN DEEMED NECESSARY FOR PRODUCT IMPROVEMENT

© WINCO WINDOW COMPANY, INC. 2026



SCALE 6"=1'-0"

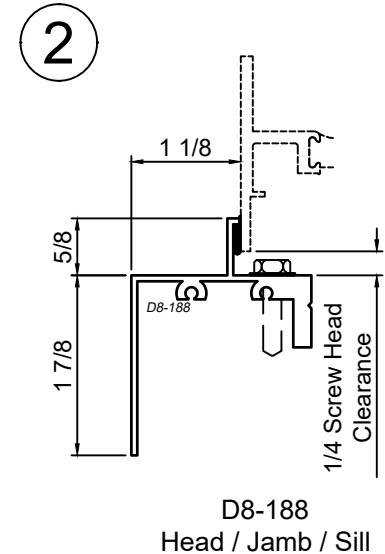
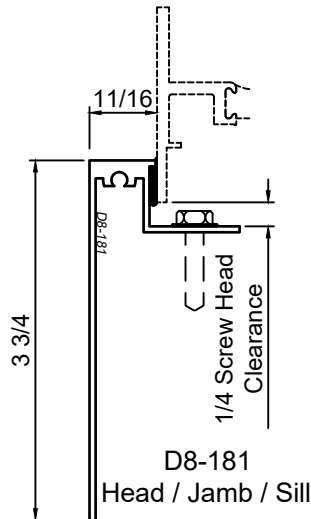
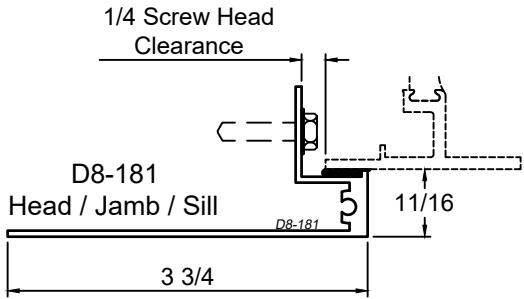
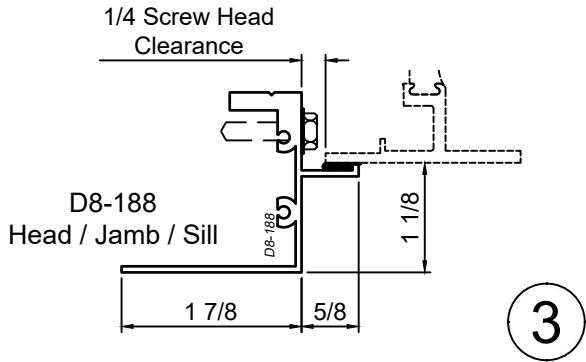
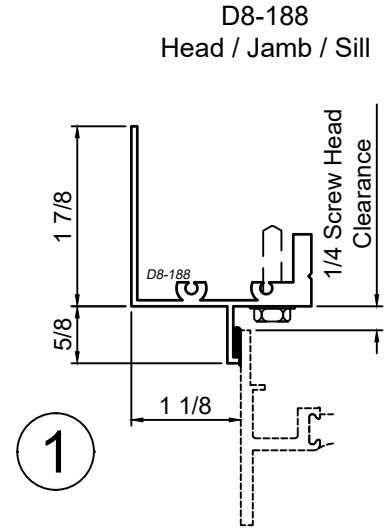
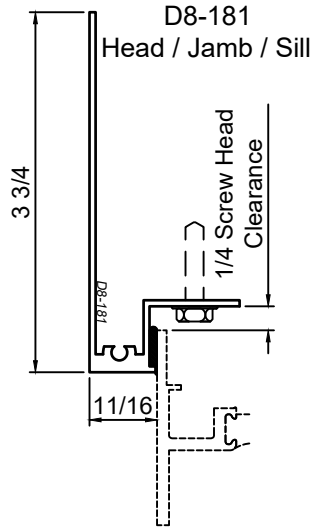
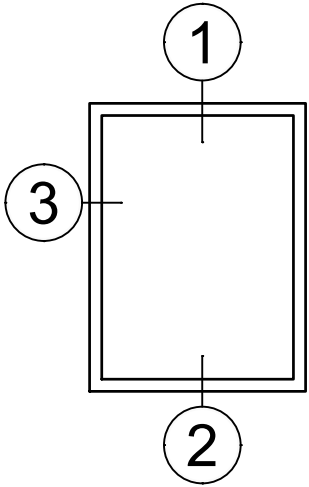
Pan Sections - All Windows

Product Details - Pre Set Box Pan (Flat)



Note: Panning shown is a sampling of WINCO's offering. Not all shapes are held in stock and minimum quantity order may be required. Consult your local WINCO sales representative for other panning shapes available. It is WINCO's recommendation to install all trim and materials per WINCO's installation instructions.

WINCO RESERVES THE RIGHT TO MODIFY OR CHANGE INFORMATION WITHIN THIS BOOK WHEN DEEMED NECESSARY FOR PRODUCT IMPROVEMENT



Flat Box Pan		
Head / Jamb		Sill
D8-181	use w/	D8-181
D8-188	use w/	D8-188*
* D8-188 typically furnished w/ D8-189 Sill Pan - See Pan / All / 2		

SCALE 6"=1'-0"

© WINCO WINDOW COMPANY, INC. 2026

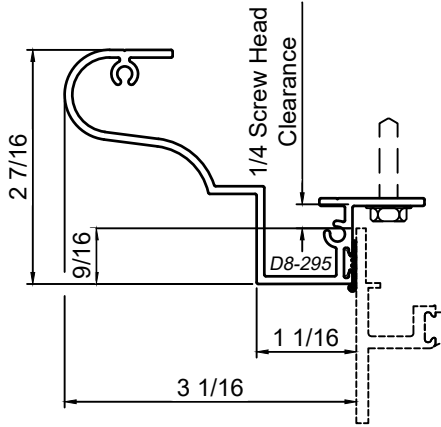
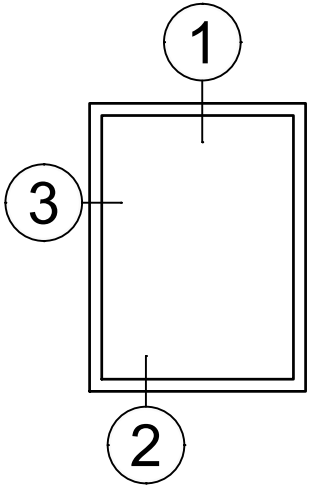
Pan Sections - All Windows

Product Details - Pre Set Box Pan (Contoured)

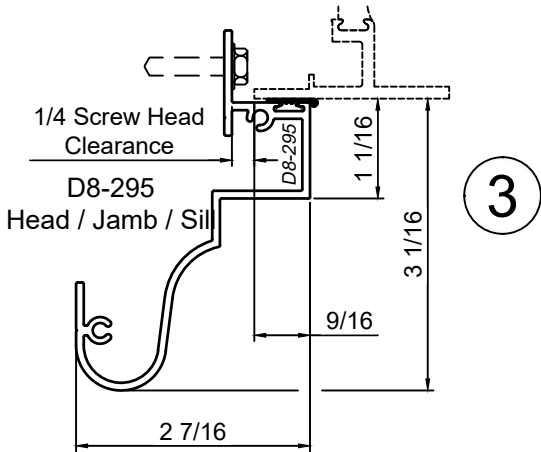


Note: Panning shown is a sampling of WINCO's offering. Not all shapes are held in stock and minimum quantity order may be required. Consult your local WINCO sales representative for other panning shapes available. It is WINCO's recommendation to install all trim and materials per WINCO's installation instructions.

WINCO RESERVES THE RIGHT TO MODIFY OR CHANGE INFORMATION WITHIN THIS BOOK WHEN DEEMED NECESSARY FOR PRODUCT IMPROVEMENT

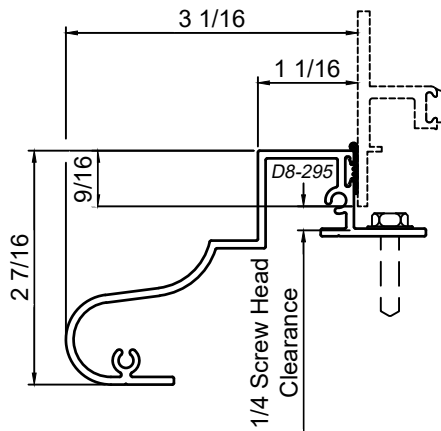


1



3

2



D8-295
Head / Jamb / Sill

© WINCO WINDOW COMPANY, INC. 2026

Contoured Box Pan	
Head / Jamb	Sill
D8-295	use w/ D8-295

SCALE 6"=1'-0"

Pan Sections - All Windows

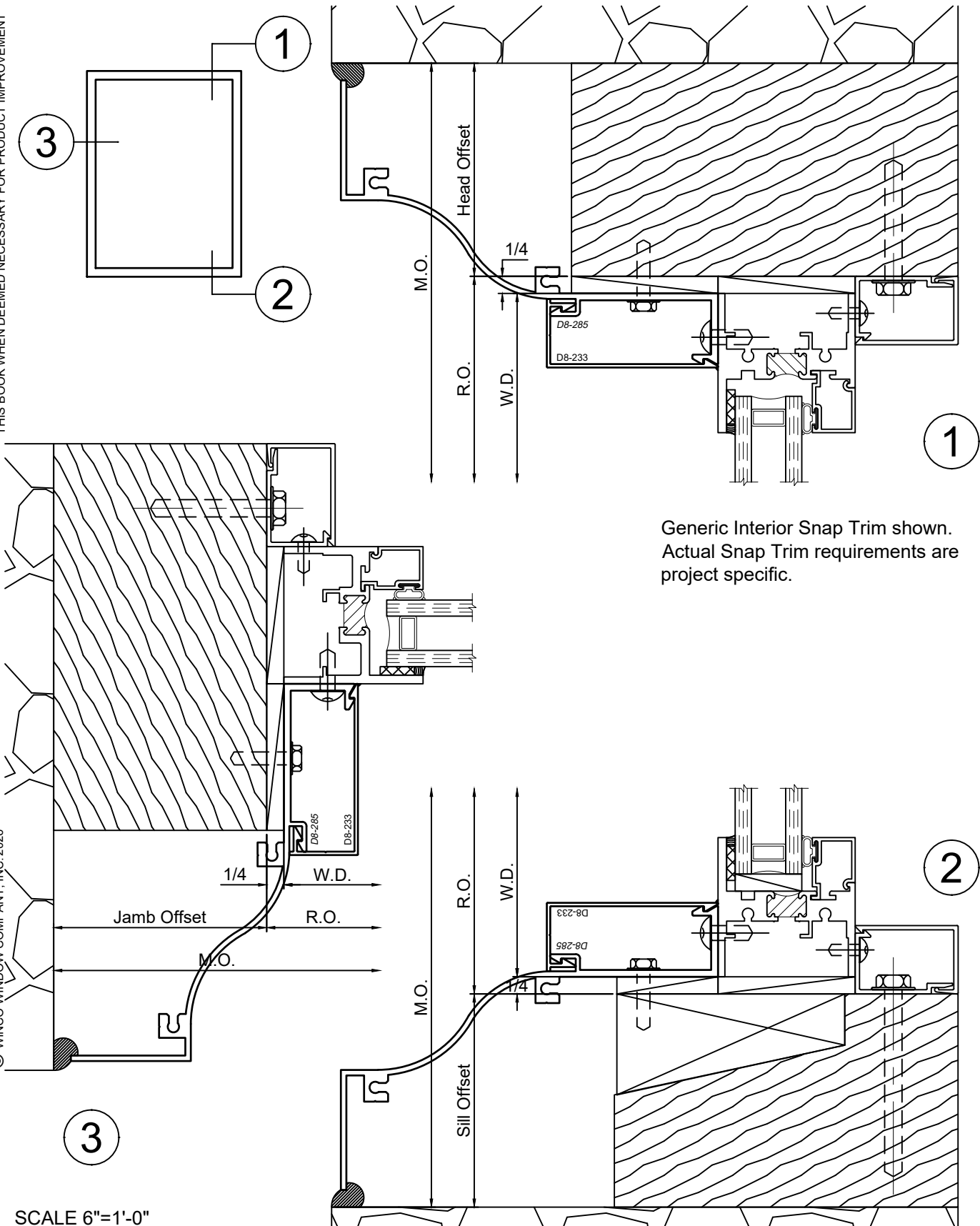
Product Details - Post Set Box Pan - Assembly Details



Note: Panning shown is a sampling of WINCO's offering. Not all shapes are held in stock and minimum quantity order may be required. Consult your local WINCO sales representative for other panning shapes available. It is WINCO's recommendation to install all trim and materials per WINCO's installation instructions.

WINCO RESERVES THE RIGHT TO MODIFY OR CHANGE INFORMATION WITHIN THIS BOOK WHEN DEEMED NECESSARY FOR PRODUCT IMPROVEMENT

© WINCO WINDOW COMPANY, INC. 2026



SCALE 6"=1'-0"

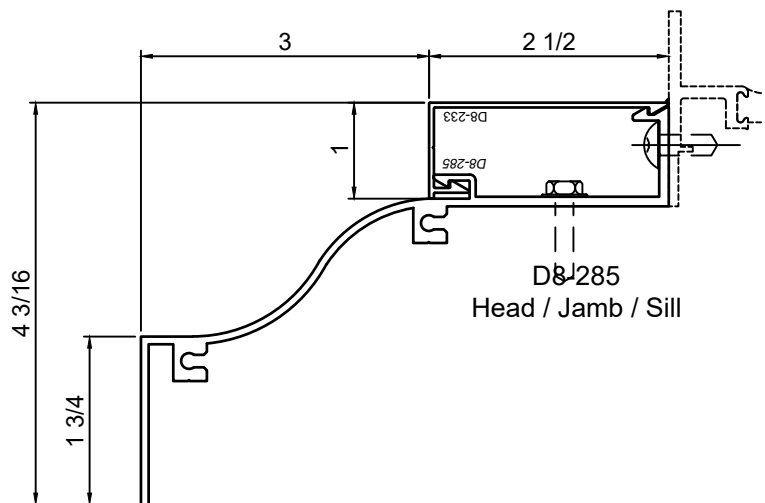
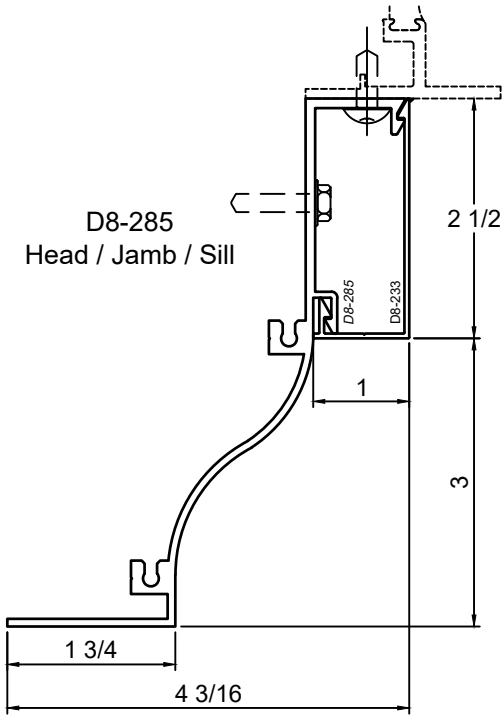
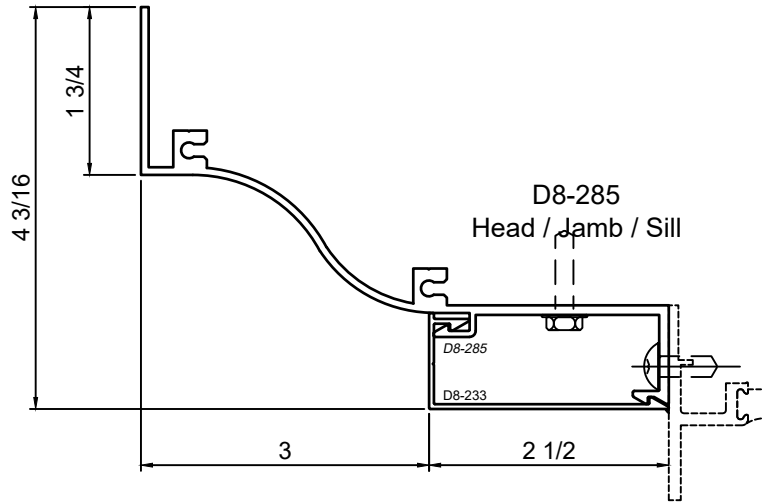
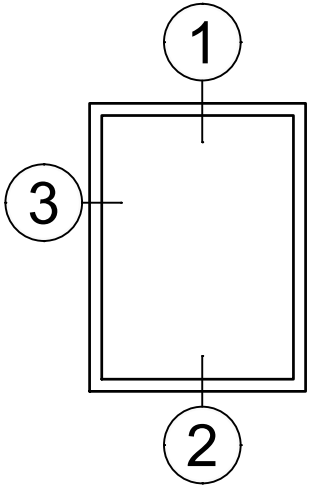
Pan Sections - All Windows

Product Details - Post Set Box Pan - D8-285 w/ D8-233 Cover



Note: Panning shown is a sampling of WINCO's offering. Not all shapes are held in stock and minimum quantity order may be required. Consult your local WINCO sales representative for other panning shapes available. It is WINCO's recommendation to install all trim and materials per WINCO's installation instructions.

WINCO RESERVES THE RIGHT TO MODIFY OR CHANGE INFORMATION WITHIN THIS BOOK WHEN DEEMED NECESSARY FOR PRODUCT IMPROVEMENT



© WINCO WINDOW COMPANY, INC. 2026

Contoured Box Pan (Post-Set)	
Head / Jamb	Sill
D8-285 w/ D8-233	use w/ D8-285 w/ D8-233

SCALE 6"=1'-0"

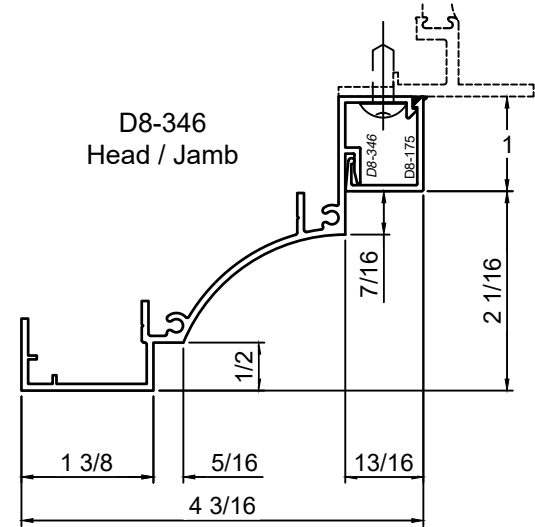
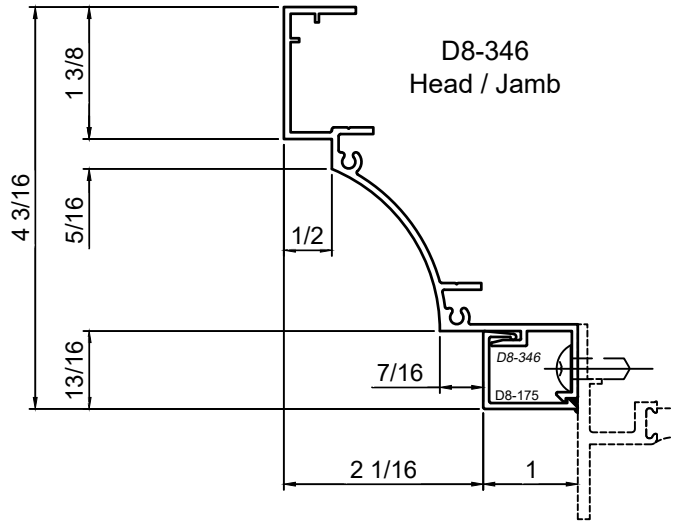
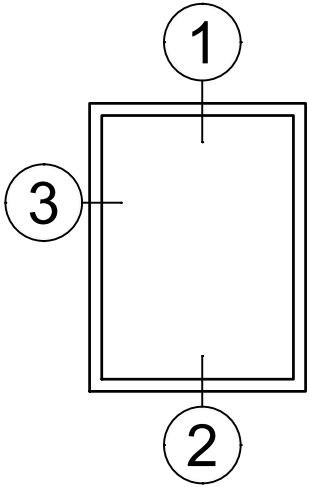
Pan Sections - All Windows

Product Details - Post Set Box Pan



Note: Panning shown is a sampling of WINCO's offering. Not all shapes are held in stock and minimum quantity order may be required. Consult your local WINCO sales representative for other panning shapes available. It is WINCO's recommendation to install all trim and materials per WINCO's installation instructions.

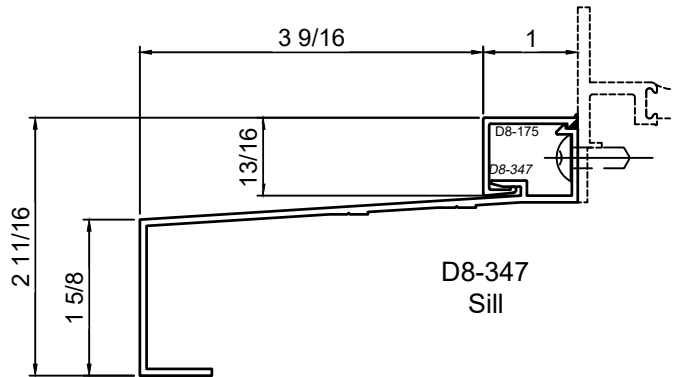
WINCO RESERVES THE RIGHT TO MODIFY OR CHANGE INFORMATION WITHIN THIS BOOK WHEN DEEMED NECESSARY FOR PRODUCT IMPROVEMENT



1

3

2



© WINCO WINDOW COMPANY, INC. 2026

Contoured Box Pan (Post-Set)	
Head / Jamb	Sill
D8-346 w/ D8-175	use w/ D8-347 w/ D8-175

SCALE 6"=1'-0"

Pan Sections - All Windows

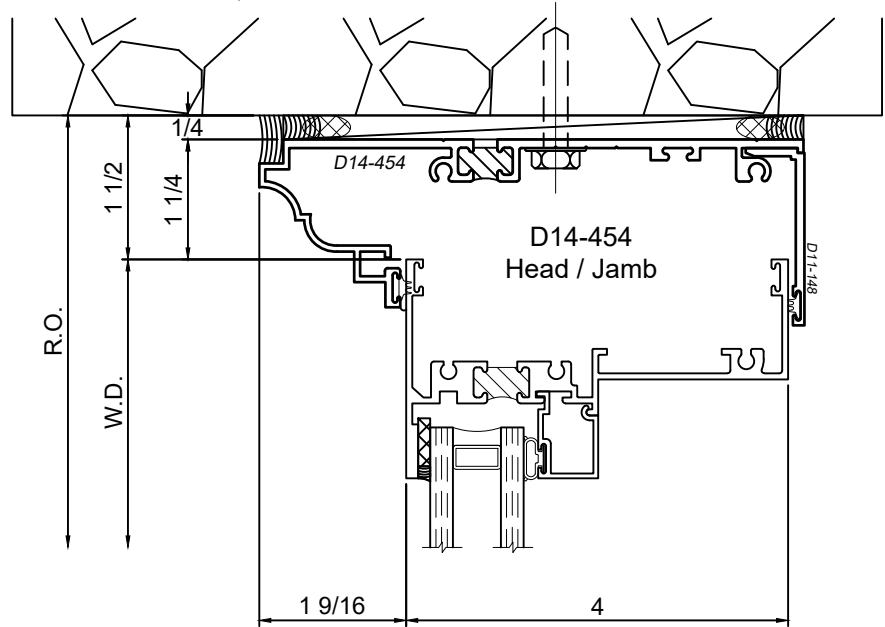
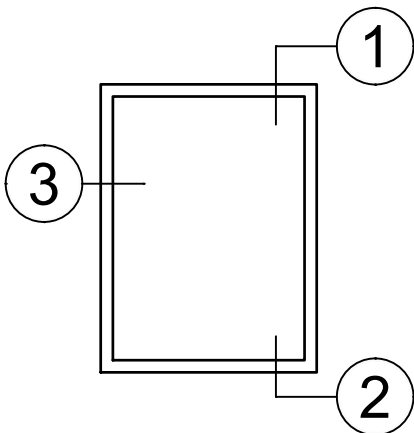
Product Details - Pan Receptor - 4 Inch Frames



Note: Panning shown is a sampling of WINCO's offering. Not all shapes are held in stock and minimum quantity order may be required. Consult your local WINCO sales representative for other panning shapes available. It is WINCO's recommendation to install all trim and materials per WINCO's installation instructions.

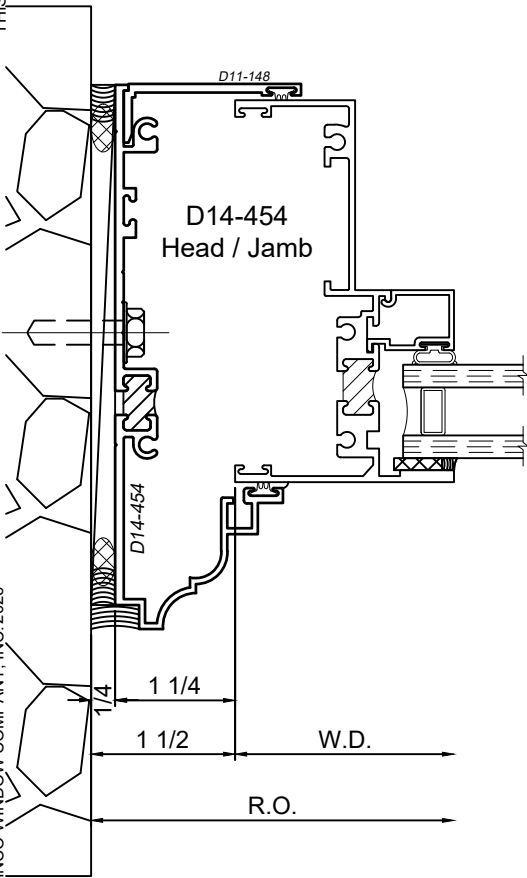
WINCO RESERVES THE RIGHT TO MODIFY OR CHANGE INFORMATION WITHIN THIS BOOK WHEN DEEMED NECESSARY FOR PRODUCT IMPROVEMENT

© WINCO WINDOW COMPANY, INC. 2026

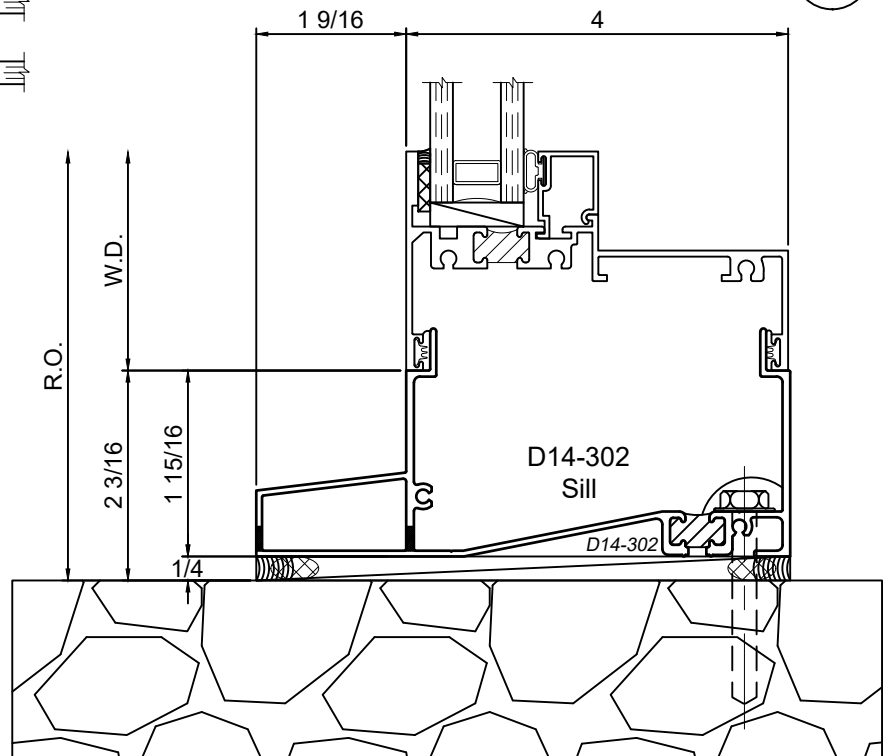


1

See 1450 / 3410 / 4410 / 4500 Window Section(s) for possible window frame configurations.



2



3

SCALE 6"=1'-0"

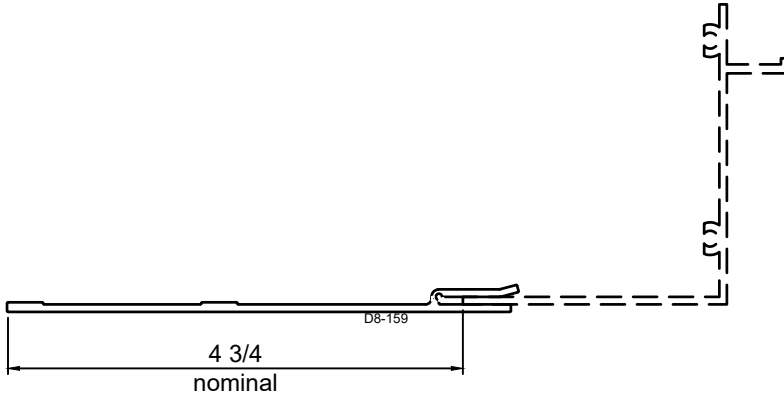
Pan Sections - All Windows

Product Details - Pan Extensions

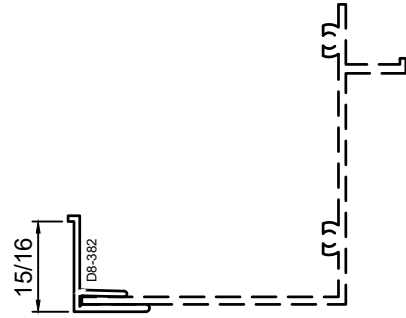


Note: Panning shown is a sampling of WINCO's offering. Not all shapes are held in stock and minimum quantity order may be required. Consult your local WINCO sales representative for other panning shapes available. It is WINCO's recommendation to install all trim and materials per WINCO's installation instructions.

WINCO RESERVES THE RIGHT TO MODIFY OR CHANGE INFORMATION WITHIN THIS BOOK WHEN DEEMED NECESSARY FOR PRODUCT IMPROVEMENT



D8-159 Pan Extension
Fits most WINCO Pan Extrusions



D8-382 Caulk Stop
Fits most WINCO Pan Extrusions

© WINCO WINDOW COMPANY, INC. 2026

SCALE 6"=1'-0"