

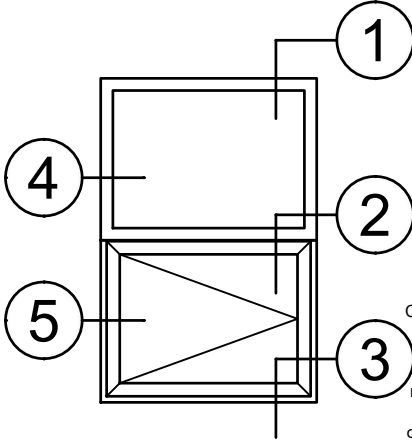
4" Thermal Hung Replica and Slider Replica Windows

Product Details - Fixed over Outswing Casement [HR-9]

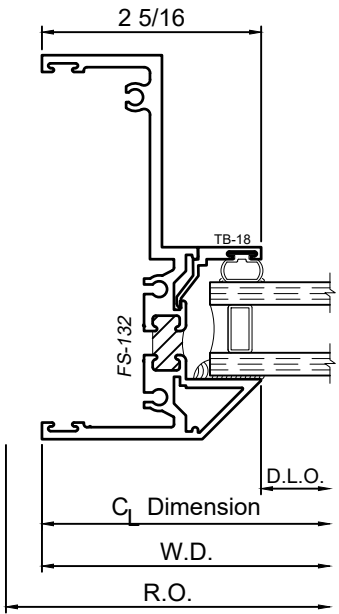
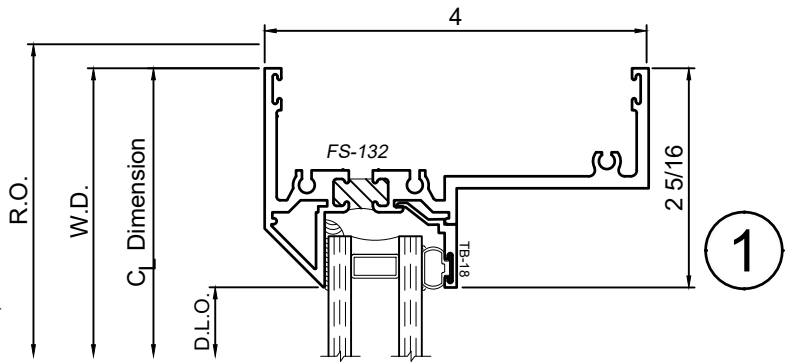


Note: Multiple configurations of this window system are available. Refer to the WINCO website for additional options or contact your local WINCO Sales Representative for information.

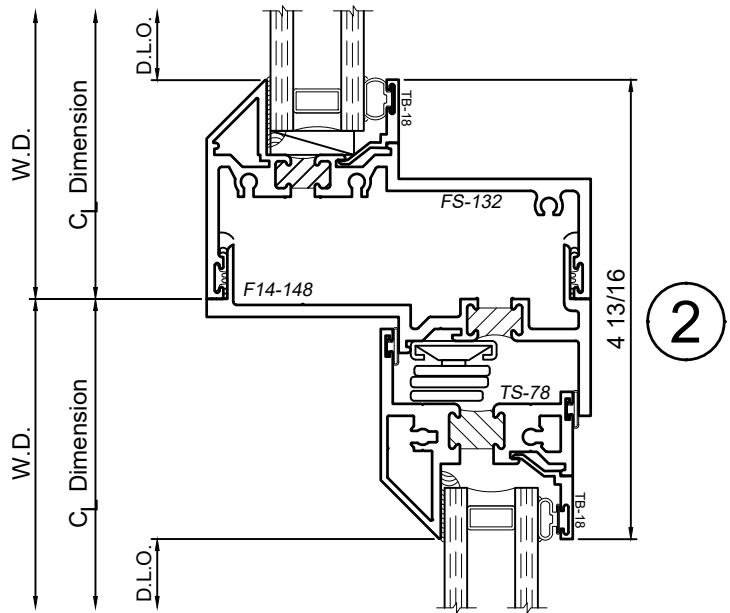
WINCO RESERVES THE RIGHT TO MODIFY OR CHANGE INFORMATION WITHIN THIS BOOK WHEN DEEMED NECESSARY FOR PRODUCT IMPROVEMENT



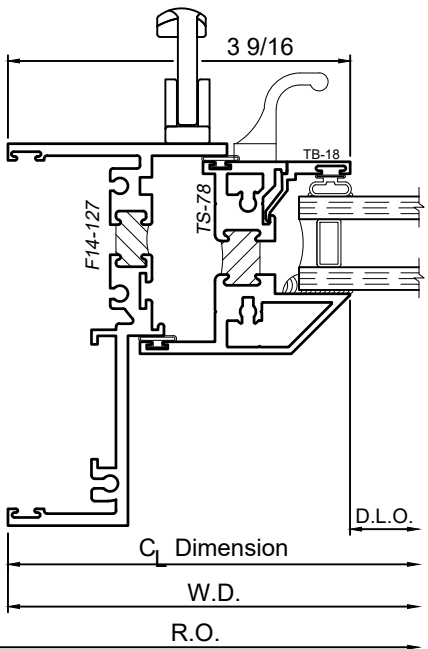
Can be configured for use as Secondary Means of Egress. Minimum Sizes to meet NFPA 101 and local codes / ordinances will apply.



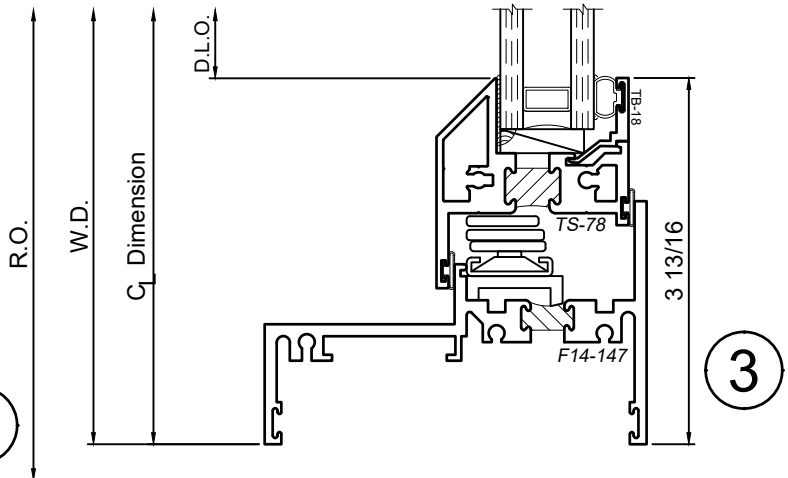
4



2



5



3

SCALE 6"=1'-0"

© WINCO WINDOW COMPANY, INC. 2026